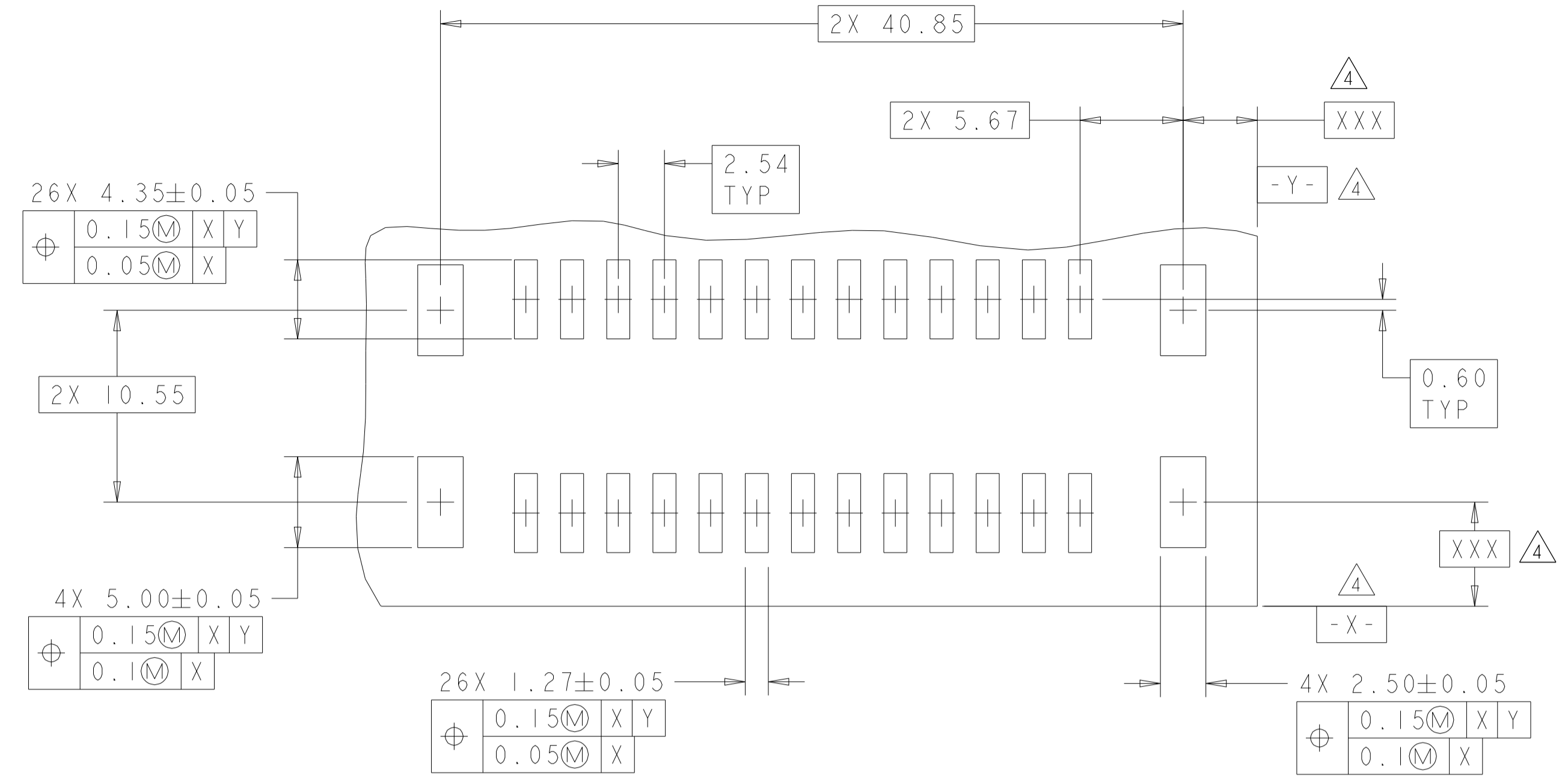
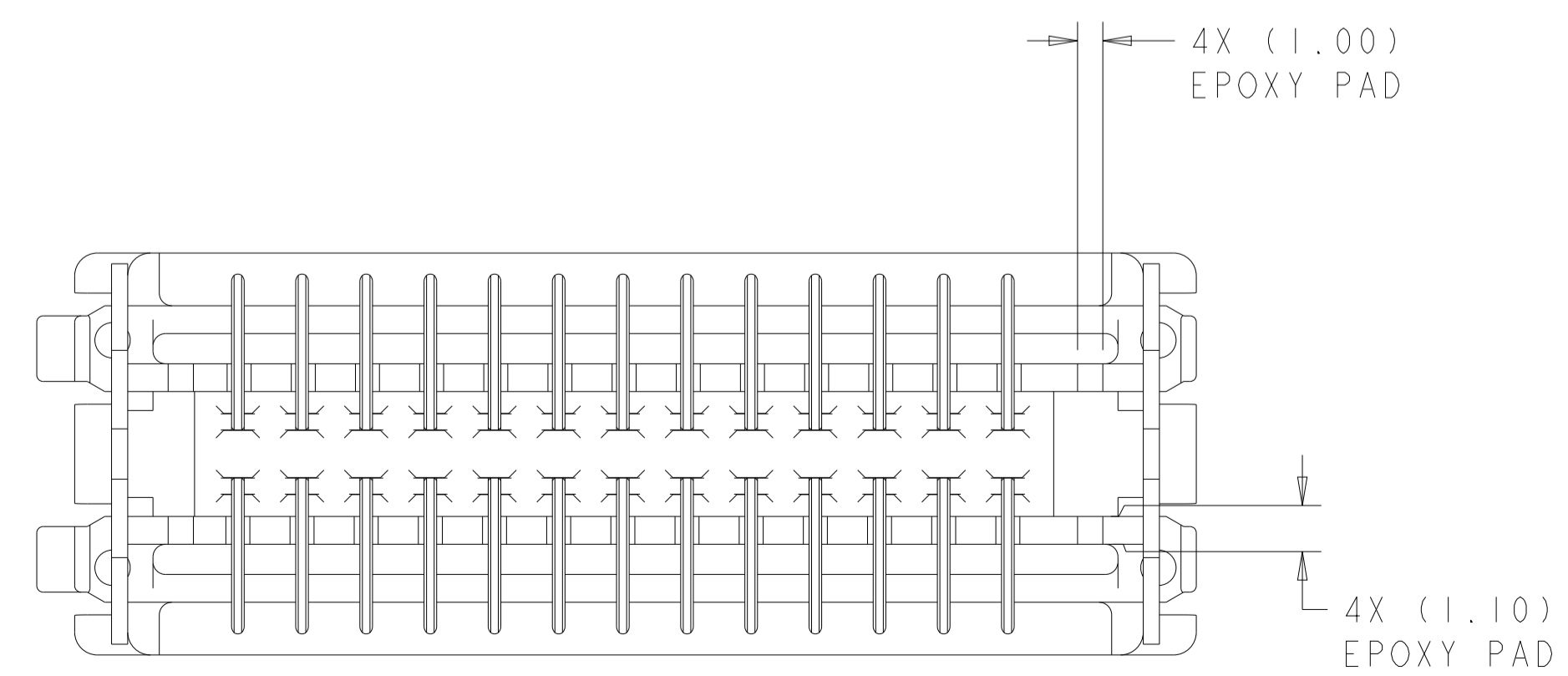
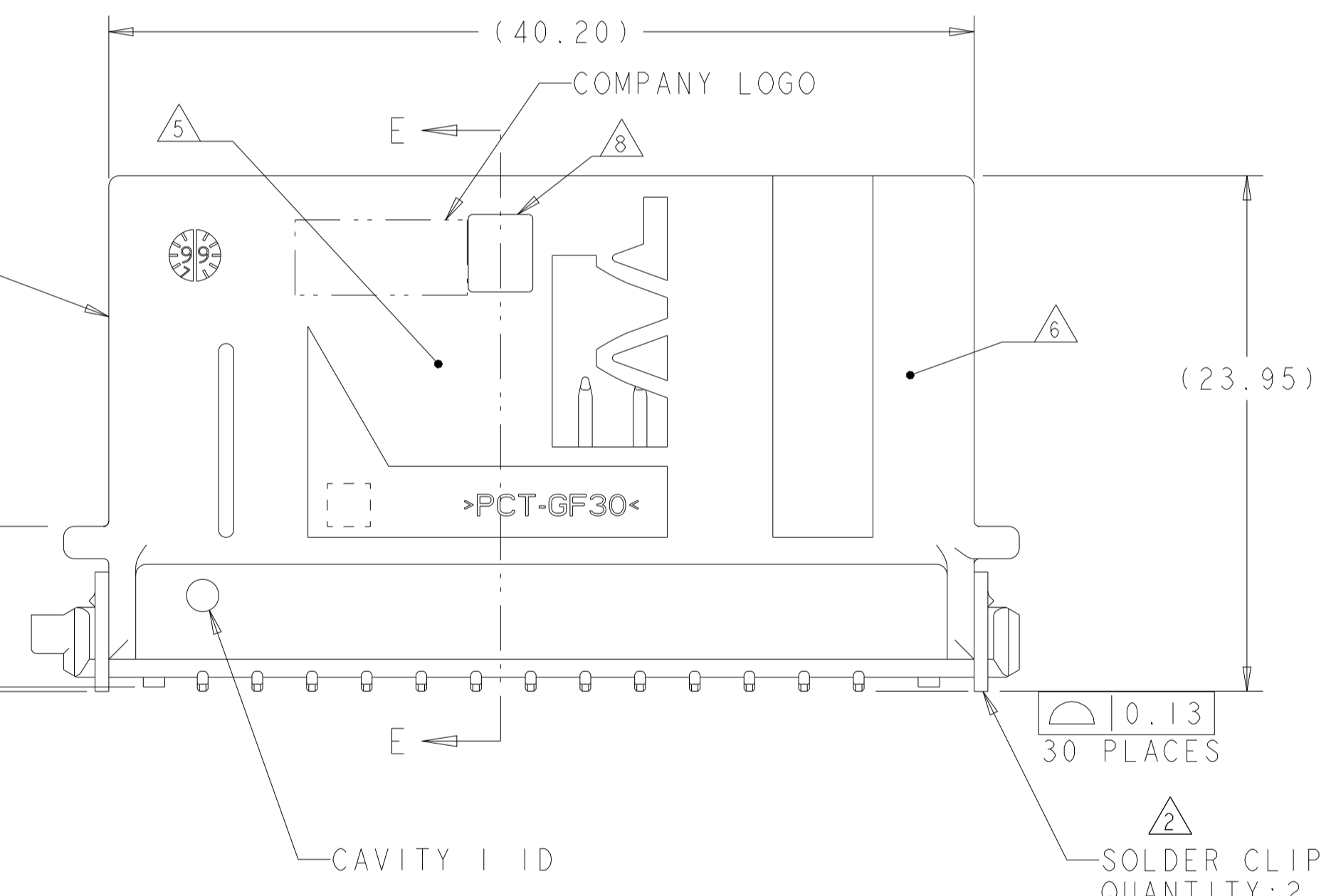
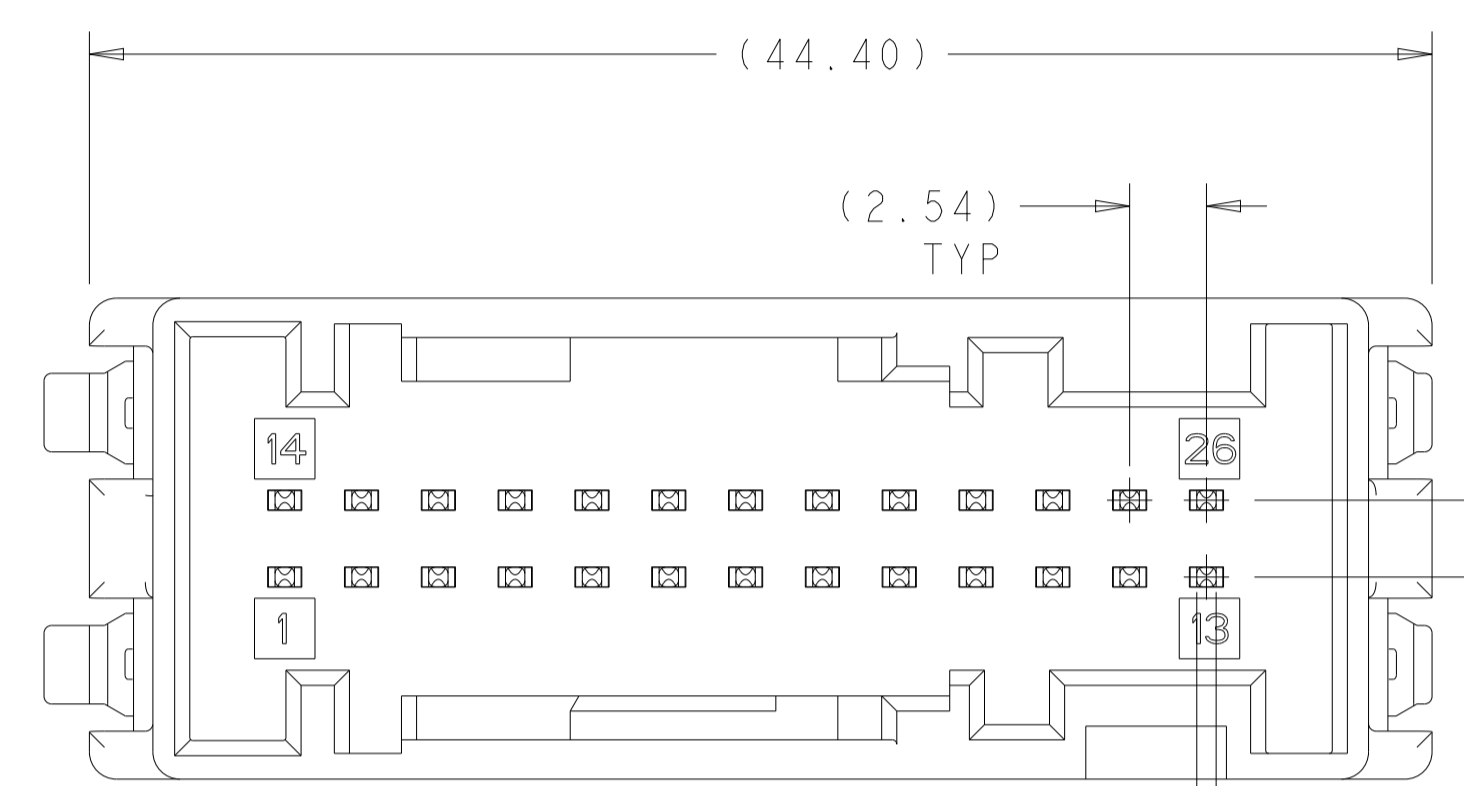
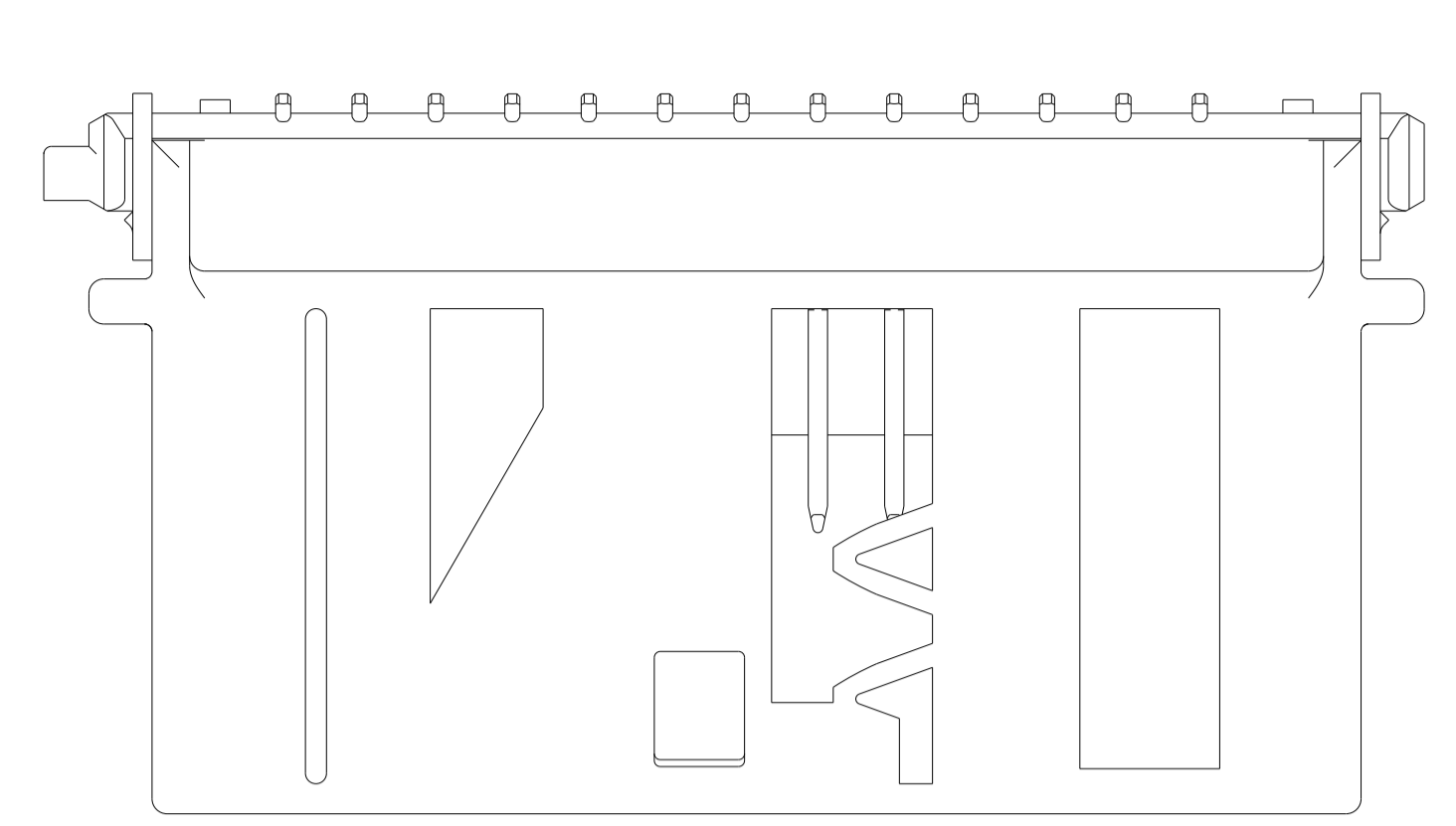
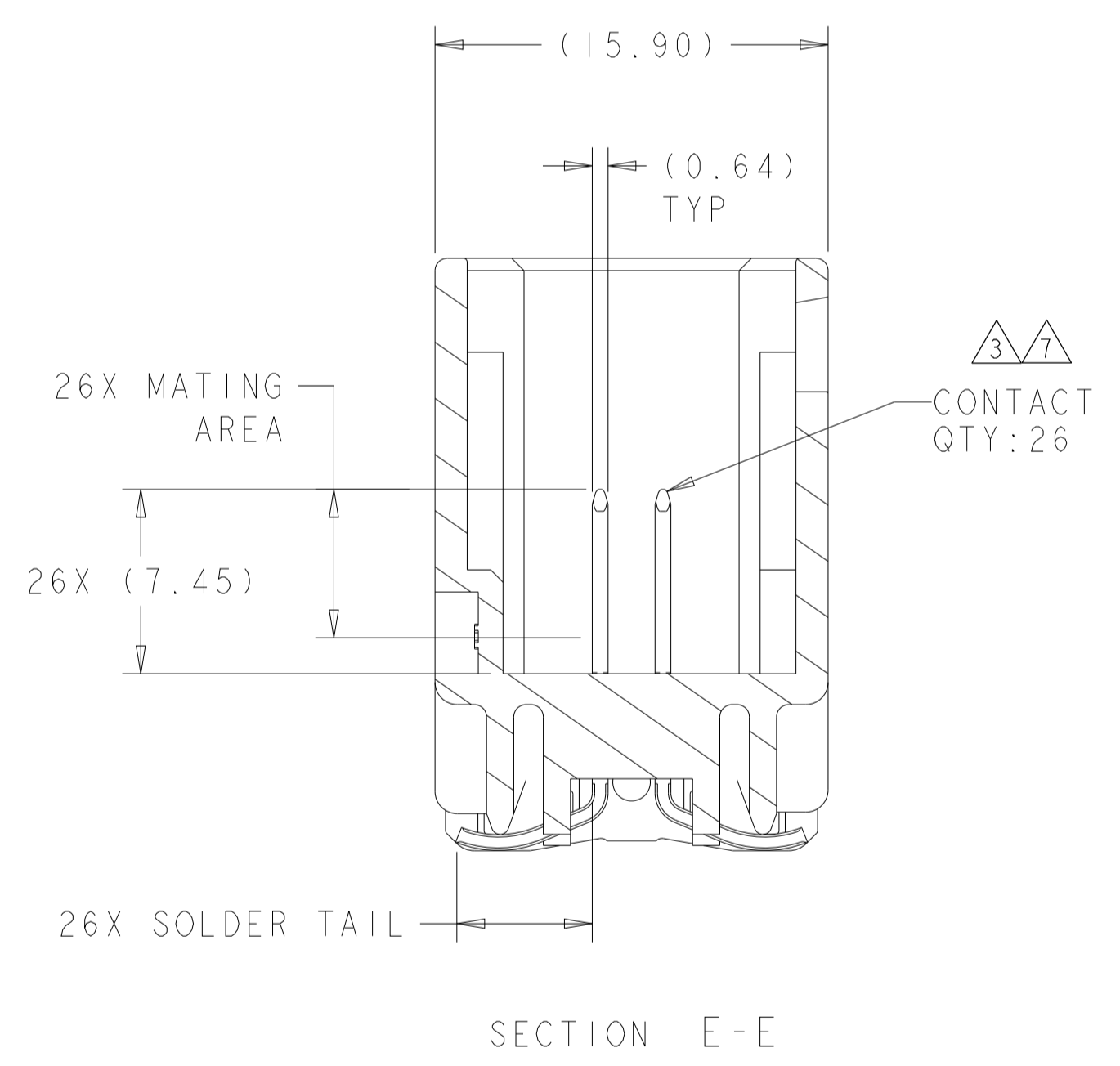


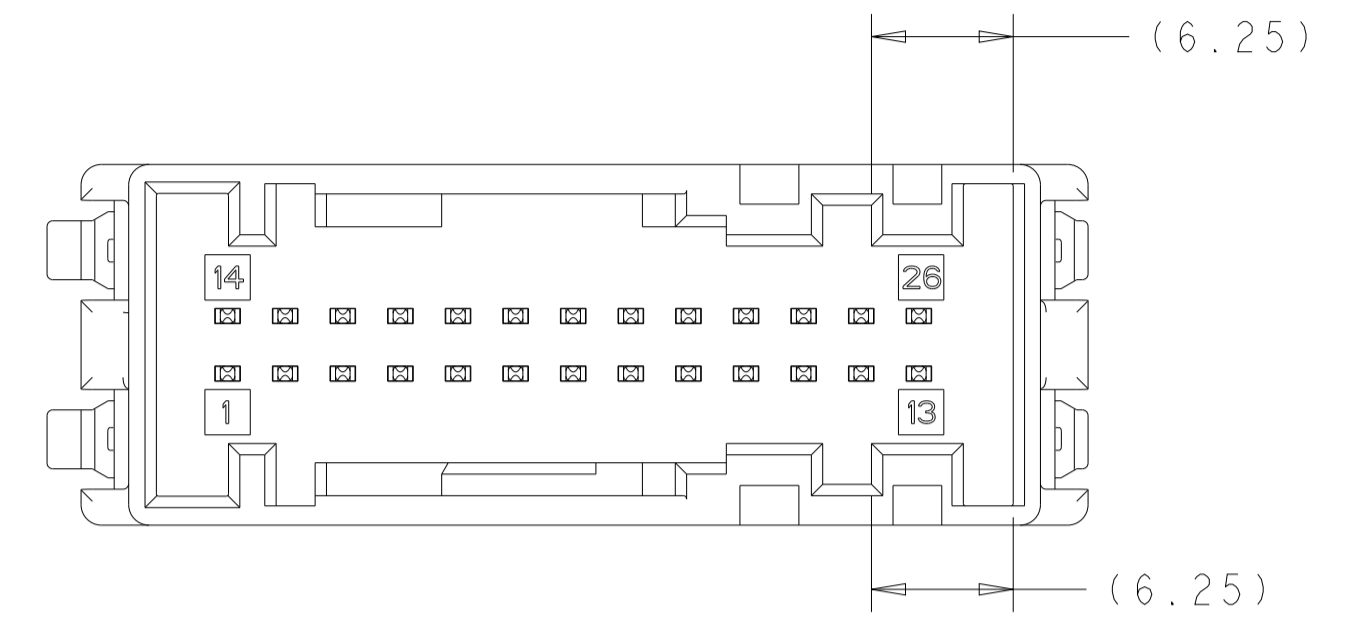
REVISIONS				
P	LTM	DESCRIPTION	DATE	APP'D
A2		REVISED PER ECO-09-026137	24NOV2009	DLD CJS
A3		REV PER ECR-10-011823	31MAY2010	VSS CS
A4		REV PER ECN-23-211153	09MAY2023	JMS CJS
A5		REV PER ECN-24-270812	27JUN2024	SMR CJS



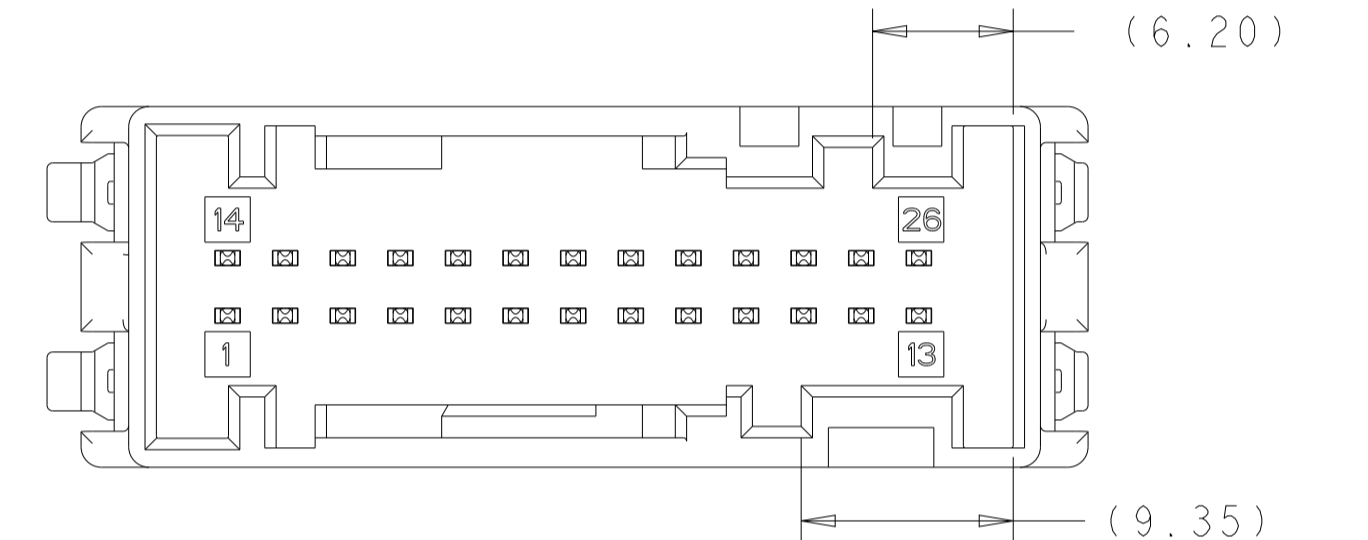
RECOMMENDED PC BOARD LAYOUT
CONNCTOR SIDE OF BOARD
SCALE 4:1



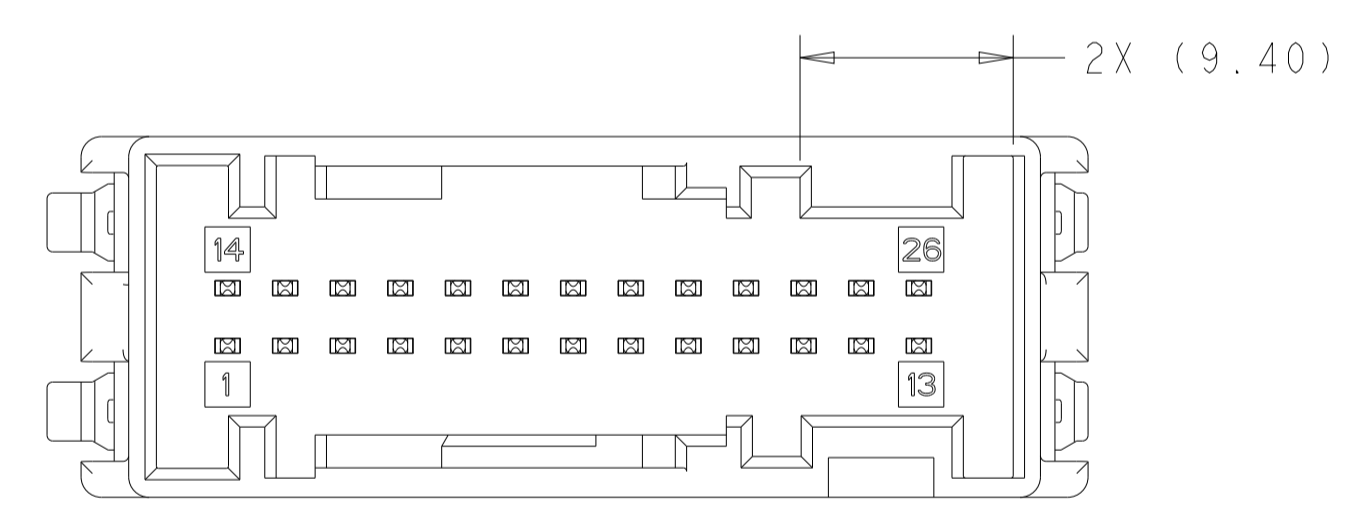
- ① HOUSING: PCT, COLOR - SEE TABLE.
CONTACTS: BRASS.
SOLDER CLIP: BRASS.
- ② SOLDER CLIP: 3.8µm MIN TIN OVER 1.27µm MIN NICKEL.
- ③ CONTACT: 0.8µm MIN TIN IN MATING AREA AND 2.5µm MIN TIN IN SOLDER TAIL ALL OVER 1.00µm NICKEL.
- ④ DATUMS AND BASIC DIMENSIONS ESTABLISHED BY THE CUSTOMER.
- ⑤ ASSEMBLY DATE CODE.
- ⑥ PRODUCT PART NUMBER.
- ⑦ CONTACT: 0.38µm MIN GOLD IN MATING AREA AND 2.5µm MIN TIN IN SOLDER TAIL AREA, ALL OVER 1.00µm NICKEL.
- ⑧ OPTIONAL FEATURE PRESENT ON PART NUMBERS NOTED IN TABLE.
- ⑨ PENDING DISCONTINUANCE



KEYING CODE "BF"
SCALE 3:1



KEYING CODE "BE"
SCALE 3:1



KEYING CODE "AE"
SCALE 3:1

FINISH	PACKAGE TUBE	KEYING CODE	COLOR	PART NUMBER
3	NON RETURNABLE	KEYING CODE "BF"	BLUE	2-1924678-3 ⑧
3	NON RETURNABLE	KEYING CODE "BE"	GRAY	2-1924678-2 ⑧
3	NON RETURNABLE	KEYING CODE "AE"	BLACK	2-1924678-1 ⑧
7	NON RETURNABLE	KEYING CODE "BF"	BLUE	1-1924678-6 ⑨
7	NON RETURNABLE	KEYING CODE "AE"	BLACK	1-1924678-5 ⑨
3	NON RETURNABLE	KEYING CODE "BF"	NATURAL	1-1924678-4 ⑨
3	NON RETURNABLE	KEYING CODE "BF"	BLUE	1-1924678-3 ⑨
3	NON RETURNABLE	KEYING CODE "BE"	GRAY	1-1924678-2 ⑨
3	NON RETURNABLE	KEYING CODE "AE"	BLACK	1-1924678-1 ⑨
3	RETURNABLE	KEYING CODE "BF"	NATURAL	1924678-4 ⑨
3	RETURNABLE	KEYING CODE "BF"	BLUE	1924678-3 ⑨
3	RETURNABLE	KEYING CODE "BE"	GRAY	1924678-2 ⑨
3	RETURNABLE	KEYING CODE "AE"	BLACK	1924678-1 ⑨

THIS DRAWING IS A CONTROLLED DOCUMENT.

OWN: H. FOLTZ 25JUL2007	CHK: G. MARTIN 25JUL2007	APVD: G. MARTIN 25JUL2007	NAME: HEADER ASSEMBLY, 26 WAY, HAND MATE, VERTICAL, WITH SOLDER CLIPS, SURFACE MOUNT, LAC
DIMENSIONS: mm	TOLERANCES UNLESS OTHERWISE SPECIFIED:	APPLICATION SPEC	SIZE: CAGE CODE DRAWING NO. RESTRICTED TO
0 PLC ±	1 PLC ±	2 PLC ±	3 PLC ±
4 PLC ±	5 PLC ±	6 PLC ±	7 PLC ±
8 PLC ±	9 PLC ±	10 PLC ±	11 PLC ±
12 PLC ±	13 PLC ±	14 PLC ±	15 PLC ±
16 PLC ±	17 PLC ±	18 PLC ±	19 PLC ±
20 PLC ±	21 PLC ±	22 PLC ±	23 PLC ±
24 PLC ±	25 PLC ±	26 PLC ±	27 PLC ±
28 PLC ±	29 PLC ±	30 PLC ±	31 PLC ±
32 PLC ±	33 PLC ±	34 PLC ±	35 PLC ±
36 PLC ±	37 PLC ±	38 PLC ±	39 PLC ±
40 PLC ±	41 PLC ±	42 PLC ±	43 PLC ±
44 PLC ±	45 PLC ±	46 PLC ±	47 PLC ±
48 PLC ±	49 PLC ±	50 PLC ±	51 PLC ±
52 PLC ±	53 PLC ±	54 PLC ±	55 PLC ±
56 PLC ±	57 PLC ±	58 PLC ±	59 PLC ±
60 PLC ±	61 PLC ±	62 PLC ±	63 PLC ±
64 PLC ±	65 PLC ±	66 PLC ±	67 PLC ±
68 PLC ±	69 PLC ±	70 PLC ±	71 PLC ±
72 PLC ±	73 PLC ±	74 PLC ±	75 PLC ±
76 PLC ±	77 PLC ±	78 PLC ±	79 PLC ±
80 PLC ±	81 PLC ±	82 PLC ±	83 PLC ±
84 PLC ±	85 PLC ±	86 PLC ±	87 PLC ±
88 PLC ±	89 PLC ±	90 PLC ±	91 PLC ±
92 PLC ±	93 PLC ±	94 PLC ±	95 PLC ±
96 PLC ±	97 PLC ±	98 PLC ±	99 PLC ±
100 PLC ±	101 PLC ±	102 PLC ±	103 PLC ±
104 PLC ±	105 PLC ±	106 PLC ±	107 PLC ±
108 PLC ±	109 PLC ±	110 PLC ±	111 PLC ±
112 PLC ±	113 PLC ±	114 PLC ±	115 PLC ±
116 PLC ±	117 PLC ±	118 PLC ±	119 PLC ±
120 PLC ±	121 PLC ±	122 PLC ±	123 PLC ±
124 PLC ±	125 PLC ±	126 PLC ±	127 PLC ±
128 PLC ±	129 PLC ±	130 PLC ±	131 PLC ±
132 PLC ±	133 PLC ±	134 PLC ±	135 PLC ±
136 PLC ±	137 PLC ±	138 PLC ±	139 PLC ±
140 PLC ±	141 PLC ±	142 PLC ±	143 PLC ±
144 PLC ±	145 PLC ±	146 PLC ±	147 PLC ±
148 PLC ±	149 PLC ±	150 PLC ±	151 PLC ±
152 PLC ±	153 PLC ±	154 PLC ±	155 PLC ±
156 PLC ±	157 PLC ±	158 PLC ±	159 PLC ±
160 PLC ±	161 PLC ±	162 PLC ±	163 PLC ±
164 PLC ±	165 PLC ±	166 PLC ±	167 PLC ±
168 PLC ±	169 PLC ±	170 PLC ±	171 PLC ±
172 PLC ±	173 PLC ±	174 PLC ±	175 PLC ±
176 PLC ±	177 PLC ±	178 PLC ±	179 PLC ±
180 PLC ±	181 PLC ±	182 PLC ±	183 PLC ±
184 PLC ±	185 PLC ±	186 PLC ±	187 PLC ±
188 PLC ±	189 PLC ±	190 PLC ±	191 PLC ±
192 PLC ±	193 PLC ±	194 PLC ±	195 PLC ±
196 PLC ±	197 PLC ±	198 PLC ±	199 PLC ±
200 PLC ±	201 PLC ±	202 PLC ±	203 PLC ±
204 PLC ±	205 PLC ±	206 PLC ±	207 PLC ±
208 PLC ±	209 PLC ±	210 PLC ±	211 PLC ±
212 PLC ±	213 PLC ±	214 PLC ±	215 PLC ±
216 PLC ±	217 PLC ±	218 PLC ±	219 PLC ±
220 PLC ±	221 PLC ±	222 PLC ±	223 PLC ±
224 PLC ±	225 PLC ±	226 PLC ±	227 PLC ±
228 PLC ±	229 PLC ±	230 PLC ±	231 PLC ±
232 PLC ±	233 PLC ±	234 PLC ±	235 PLC ±
236 PLC ±	237 PLC ±	238 PLC ±	239 PLC ±
240 PLC ±	241 PLC ±	242 PLC ±	243 PLC ±
244 PLC ±	245 PLC ±	246 PLC ±	247 PLC ±
248 PLC ±	249 PLC ±	250 PLC ±	251 PLC ±
252 PLC ±	253 PLC ±	254 PLC ±	255 PLC ±
256 PLC ±	257 PLC ±	258 PLC ±	259 PLC ±
260 PLC ±	261 PLC ±	262 PLC ±	263 PLC ±
264 PLC ±	265 PLC ±	266 PLC ±	267 PLC ±
268 PLC ±	269 PLC ±	270 PLC ±	271 PLC ±
272 PLC ±	273 PLC ±	274 PLC ±	275 PLC ±
276 PLC ±	277 PLC ±	278 PLC ±	279 PLC ±
280 PLC ±	281 PLC ±	282 PLC ±	283 PLC ±
284 PLC ±	285 PLC ±	286 PLC ±	287 PLC ±
288 PLC ±	289 PLC ±	290 PLC ±	291 PLC ±
292 PLC ±	293 PLC ±	294 PLC ±	295 PLC ±
296 PLC ±	297 PLC ±	298 PLC ±	299 PLC ±
300 PLC ±	301 PLC ±	302 PLC ±	303 PLC ±
304 PLC ±	305 PLC ±	306 PLC ±	307 PLC ±
308 PLC ±	309 PLC ±	310 PLC ±	311 PLC ±
312 PLC ±	313 PLC ±	314 PLC ±	315 PLC ±
316 PLC ±	317 PLC ±	318 PLC ±	319 PLC ±
320 PLC ±	321 PLC ±	322 PLC ±	323 PLC ±
324 PLC ±	325 PLC ±	326 PLC ±	327 PLC ±
328 PLC ±	329 PLC ±	330 PLC ±	331 PLC ±
332 PLC ±	333 PLC ±	334 PLC ±	335 PLC ±
336 PLC ±	337 PLC ±	338 PLC ±	339 PLC ±
340 PLC ±	341 PLC ±	342 PLC ±	343 PLC ±
344 PLC ±	345 PLC ±	346 PLC ±	347 PLC ±
348 PLC ±	349 PLC ±	350 PLC ±	351 PLC ±
352 PLC ±	353 PLC ±	354 PLC ±	355 PLC ±
356 PLC ±	357 PLC ±	358 PLC ±	359 PLC ±
360 PLC ±	361 PLC ±	362 PLC ±	363 PLC ±
364 PLC ±	365 PLC ±	366 PLC ±	367 PLC ±
368 PLC ±	369 PLC ±	370 PLC ±	371 PLC ±
372 PLC ±	373 PLC ±	374 PLC ±	375 PLC ±
376 PLC ±	377 PLC ±	378 PLC ±	379 PLC ±
380 PLC ±	381 PLC ±	382 PLC ±	383 PLC ±
384 PLC ±	385 PLC ±	386 PLC ±	387 PLC ±
388 PLC ±	389 PLC ±	390 PLC ±	391 PLC ±
392 PLC ±	393 PLC ±	394 PLC ±	395 PLC ±
396 PLC ±	397 PLC ±	398 PLC ±	399 PLC ±
400 PLC ±	401 PLC ±	402 PLC ±	403 PLC ±
404 PLC ±	405 PLC ±	406 PLC ±	407 PLC ±
408 PLC ±	409 PLC ±	410 PLC ±	411 PLC ±
412 PLC ±	413 PLC ±	414 PLC ±	415 PLC ±
416 PLC ±	417 PLC ±	418 PLC ±	419 PLC ±
420 PLC ±	421 PLC ±	422 PLC ±	423 PLC ±
424 PLC ±	425 PLC ±	426 PLC ±	427 PLC ±
428 PLC ±	429 PLC ±	430 PLC ±	431 PLC ±
432 PLC ±	433 PLC ±	434 PLC ±	435 PLC ±
436 PLC ±	437 PLC ±	438 PLC ±	439 PLC ±
440 PLC ±	441 PLC ±	442 PLC ±	443 PLC ±
444 PLC ±	445 PLC ±	446 PLC ±	447 PLC ±
448 PLC ±	449 PLC ±	450 PLC ±	451 PLC ±
452 PLC ±	453 PLC ±	454 PLC ±	455 PLC ±
456 PLC ±	457 PLC ±	458 PLC ±	459 PLC ±
460 PLC ±	461 PLC ±	462 PLC ±	463 PLC ±
464 PLC ±	465 PLC ±	466 PLC ±	467 PLC ±
468 PLC ±	469 PLC ±	470 PLC ±	471 PLC ±
472 PLC ±	473 PLC ±	474 PLC ±	475 PLC ±
476 PLC ±	477 PLC ±	478 PLC ±	479 PLC ±
480 PLC ±	481 PLC ±	482 PLC ±	483 PLC ±
484 PLC ±	485 PLC ±	486 PLC ±	487 PLC ±
488 PLC ±	489 PLC ±	490 PLC ±	491 PLC ±
492 PLC ±	493 PLC ±	494 PLC ±	495 PLC ±
496 PLC ±	497 PLC ±	498 PLC ±	499 PLC ±
500 PLC ±	501 PLC ±	502 PLC ±	503 PLC ±
504 PLC ±	505 PLC ±	506 PLC ±	507 PLC ±
508 PLC ±	509 PLC ±	510 PLC ±	511 PLC ±
512 PLC ±	513 PLC ±	514 PLC ±	515 PLC ±
516 PLC ±	517 PLC ±	518 PLC ±	519 PLC ±
520 PLC ±	521 PLC ±	522 PLC ±	523 PLC ±
524 PLC ±	525 PLC ±	526 PLC ±	527 PLC ±
528 PLC ±	529 PLC ±	530 PLC ±	531 PLC ±
532 PLC ±	533 PLC ±	534 PLC ±	535 PLC ±
536 PLC ±	537 PLC ±	538 PLC ±	539 PLC ±
540 PLC ±	541 PLC ±	542 PLC ±	543 PLC ±
544 PLC ±	545 PLC ±	546 PLC ±	547 PLC ±
548 PLC ±	549 PLC ±	550 PLC ±	551 PLC ±
552 PLC ±	553 PLC ±	554 PLC ±	555 PLC ±
556 PLC ±	557 PLC ±	558 PLC ±	559 PLC ±
560 PLC ±	561 PLC ±	562 PLC ±	563 PLC ±
564 PLC ±	565 PLC ±	566 PLC ±	567 PLC ±
568 PLC ±	569 PLC ±	570 PLC ±	571 PLC ±
572 PLC ±	573 PLC ±	574 PLC ±	575 PLC ±
576 PLC ±	577 PLC ±	578 PLC ±	579 PLC ±
580 PLC ±	581 PLC ±	582 PLC ±	583 PLC ±
584 PLC ±	585 PLC ±	586 PLC ±	587 PLC ±
588 PLC ±	589 PLC ±	590 PLC ±	591 PLC ±
592 PLC ±	593 PLC ±	594 PLC ±	595 PLC ±
596 PLC ±	597 PLC ±	598 PLC ±	599 PLC ±
600 PLC ±	601 PLC ±	602 PLC ±	603 PLC ±
604 PLC ±	605 PLC ±	606 PLC ±	607 PLC ±
608 PLC ±	609 PLC ±	610 PLC ±	611 PLC ±
612 PLC ±	613 PLC ±	614 PLC ±	615 PLC ±
616 PLC ±	617 PLC ±	618 PLC ±	619 PLC ±
620 PLC ±	621 PLC ±	622 PLC ±	623 PLC ±
624 PLC ±	625 PLC ±	626 PLC ±	627 PLC ±
628 PLC ±	629 PLC ±	630 PLC ±	631 PLC ±
632 PLC ±	633 PLC ±	634 PLC ±	635 PLC ±
636 PLC ±	637 PLC ±	638 PLC ±	639 PLC ±
640 PLC ±	641 PLC ±	642 PLC ±	643 PLC ±
644 PLC ±	645 PLC ±	646 PLC ±	647 PLC ±
648 PLC ±	649 PLC ±	650 PLC ±	651 PLC ±
652 PLC ±	653 PLC ±	654 PLC ±	655 PLC ±
656 PLC ±	657 PLC ±	658 PLC ±	659 PLC ±
660 PLC ±	661 PLC ±	662 PLC ±	663 PLC ±
664 PLC ±	665 PLC ±	666 PLC ±	667 PLC ±
668 PLC ±	669 PLC ±	670 PLC ±	671 PLC ±
672 PLC ±	673 PLC ±	674 PLC ±	675 PLC ±
676 PLC ±	677 PLC ±	678 PLC ±	679 PLC ±
680 PLC ±	681 PLC ±	682 PLC ±	683 PLC ±
684 PLC ±	685 PLC ±	686 PLC ±	687 PLC ±
688 PLC ±	689 PLC ±	690 PLC ±	691 PLC ±
692 PLC ±	693 PLC ±	694 PLC ±	695 PLC ±
696 PLC ±	697 PLC ±	698 PLC ±	699 PLC ±
700 PLC ±	701 PLC ±	702 PLC ±	703 PLC ±
704 PLC ±	705 PLC ±	706 PLC ±	707 PLC ±
708 PLC ±	709 PLC ±	710 PLC ±	711 PLC ±
712 PLC ±	713 PLC ±	714 PLC ±	715 PLC ±
716 PLC ±	717 PLC ±	718 PLC ±	719 PLC ±
720 PLC ±	721 PLC ±	722 PLC ±	723 PLC ±
724 PLC ±	725 PLC ±	726 PLC ±	727 PLC ±
728 PLC ±	729 PLC ±	730 PLC ±	731 PLC ±
732 PLC ±	733 PLC ±	734 PLC ±	735 PLC ±
736 PLC ±	737 PLC ±	738 PLC ±	739 PLC ±
740 PLC ±	741 PLC ±	742 PLC ±	743 PLC ±
744 PLC ±	745 PLC ±	746 PLC ±	747 PLC ±
748 PLC ±	749 PLC ±	750 PLC ±	751 PLC ±
752 PLC ±	753 PLC ±	754 PLC ±	755 PLC ±
756 PLC ±	757 PLC ±	758 PLC ±	759 PLC ±
760 PLC ±	761 PLC ±	762 PLC ±	763 PLC ±
764 PLC ±	765 PLC ±		