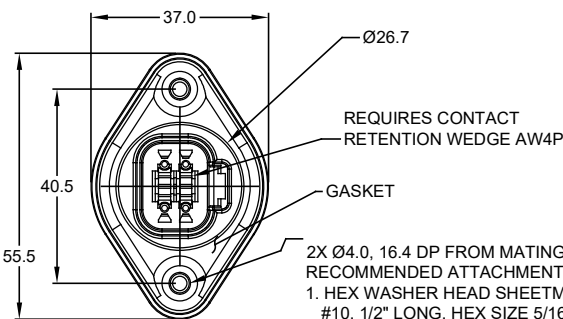
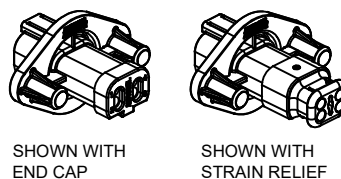
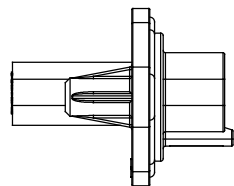
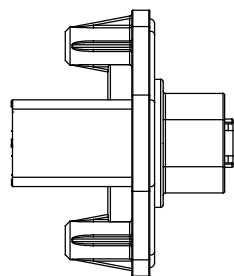
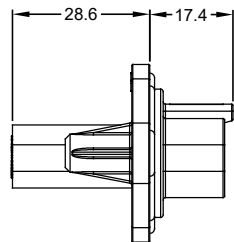
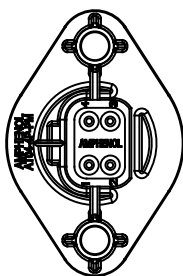


MOUNTING PLATE SIZE



| REVISIONS | | | | | |
|-----------|-----|--------------------------|---------|-----|------|
| REV | ECO | DESCRIPTION | DATE | BY | APPR |
| A1 | - | RELEASED CHARTED DRAWING | 23MAR18 | JAH | - |

NOTES: UNLESS OTHERWISE SPECIFIED

- MATERIAL:
HOUSING: THERMOPLASTIC; COLOR: BLACK
END CAP: THERMOPLASTIC; COLOR: BLACK
STRAIN RELIEF CAP: THERMOPLASTIC; COLOR: BLACK
SEALS: SILICONE RUBBER; COLOR: RED
- MODIFICATIONS: FLANGE, GASKET, END CAP (OPT), STRAIN RELIEF CAP (OPT), REDUCED DIAMETER SEAL (OPT).
- SPECIFICATIONS:
3.1 CURRENT RATING: 13 AMPS
3.2 OPERATING TEMPERATURE: -55°C TO +125°C
3.3 DIELECTRIC WITHSTANDING VOLTAGE: LESS THAN 2 MILLIAMPS CURRENT LEAKAGE @ 1500 VOLTS AC.
3.4 INSULATION RESISTANCE: 1000 MEGOHMS MIN @ 25°C.
3.5 MOISTURE RESISTANCE: IP67 (MATED CONDITION)
3.6 MATING CYCLE DURABILITY: 100 CYCLES
3.7 RoHS COMPLIANT
- MATING PART: AT06-4S* PLUG
(* = MODIFICATIONS)
- ALL DIMENSIONS ARE FOR REFERENCE USE ONLY.

6 CONTACT SIZE AND REAR SEAL WIRE RANGE:

REDUCED DIAMETER SEAL:

| CONTACT SIZE | MIN. INSUL O.D. | MAX. INSUL O.D. | TYPICAL WIRE RANGE |
|--------------|-------------------|-------------------|--------------------|
| 16 | 1.35 mm (.053 in) | 3.05 mm (.120 in) | 14 - 20 AWG |

STANDARD SEAL:

| CONTACT SIZE | MIN. INSUL O.D. | MAX. INSUL O.D. | TYPICAL WIRE RANGE |
|--------------|-------------------|-------------------|--------------------|
| 16 | 2.24 mm (.088 in) | 3.68 mm (.145 in) | 14 - 20 AWG |

| MODIFICATIONS | | | |
|---------------|--------------|---------|---------------|
| PART NUMBER | SEAL | END CAP | STRAIN RELIEF |
| AT04-4P-PM11 | STANDARD | NO | NO |
| AT04-4P-PM12 | REDUCED DIA. | NO | NO |
| AT04-4P-PM13 | STANDARD | YES | NO |
| AT04-4P-PM14 | REDUCED DIA. | YES | NO |
| AT04-4P-PM15 | STANDARD | NO | YES |
| AT04-4P-PM16 | REDUCED DIA. | NO | YES |

| | | | |
|--|-------------|--|---|
| AT04-4P-PM1X | | | |
| QUANTITY | PART NUMBER | DESCRIPTION | ITEM |
| MATERIALS LIST | | | |
| UNLESS OTHERWISE SPECIFIED: 1) All dimensions are in metric (mm). 2) Tolerances are as follows: 1 PL DEC ±0.30 2 PL DEC ±0.15 3 PL DEC ±0.08 3) Note reference = | | SIGNATURES DRAWN: J. HEAD CHECKED: ENGINEER: APPROVAL: | DATE 23MAR18 |
| MATERIAL SPECIFICATIONS: | | Amphenol Sine Systems - www.amphenol-sine.com 44724 Morley Drive Clinton Township, MI 48036 | |
| PROCESS SPECIFICATIONS: | | RECEPTACLE, 4 PIN, AT SERIES, W/FLANGE, GASKET | |
| NEXT ASSY: | | THIS DRAWING IS SUPPLIED FOR INFORMATION ONLY. DESIGN FEATURES, SPECIFICATIONS AND PERFORMANCE DATA SHOWN HEREON ARE THE PROPERTY OF THE AMPHENOL CORPORATION. NO RIGHTS OF REPRODUCTION ARE IMPLIED. ALL DIMENSIONS ARE SUBJECT TO NORMAL MANUFACTURING VARIATIONS. | SIZE: B C TYPE: C SCALE: NONE |
| | | DWG NO: AT04-4P-PM1X | REVISION: A1 |
| | | SHEET 1 | OF 1 |

TITLE: RECEPTACLE, 4 PIN, AT SERIES, W/FLANGE, GASKET
DWG NO: AT04-4P-PM1X
REV: A1
SH: 1
OF: 1

AT, ATV, AHD, ARB, ARC, DuraMate™ and PanelMate™ Series

Size 16 Contact & Tooling Options

Contacts - Machined

| Part Number | Type | Style | Contact Size | Amp | Wire Range (AWG) | Wire Range (mm ²) | Insulation OD (mm) | Plating | Reel Size | Packaging |
|-------------------|--------|----------|--------------|-----|------------------|-------------------------------|--------------------|---------------|-----------|-----------|
| AT60-215-16141 | Pin | Machined | Size 16 | 13A | 14AWG | - | - | Nickel-Plated | - | - |
| AT60-215-1631 | Pin | Machined | Size 16 | 13A | 14AWG | - | - | Gold-Plated | - | - |
| AT60-202-16NKIT | Pin | Machined | Size 16 | 13A | 16-20AWG | - | - | Nickel-Plated | - | - |
| AT60-202-16141 | Pin | Machined | Size 16 | 13A | 16-20AWG | - | - | Nickel-Plated | - | - |
| AT60-202-1631 | Pin | Machined | Size 16 | 13A | 16-20AWG | - | - | Gold-Plated | - | - |
| AT60-202-16141-22 | Pin | Machined | Size 16 | 13A | 22-24AWG | - | - | Nickel-Plated | - | - |
| AT60-202-1631-22 | Pin | Machined | Size 16 | 13A | 22-24AWG | - | - | Gold-Plated | - | - |
| AT62-209-16141 | Socket | Machined | Size 16 | 13A | 14AWG | - | - | Nickel-Plated | - | - |
| AT62-209-1631 | Socket | Machined | Size 16 | 13A | 14AWG | - | - | Gold-Plated | - | - |
| AT62-201-16NKIT | Socket | Machined | Size 16 | 13A | 16-20AWG | - | - | Nickel-Plated | - | - |
| AT62-201-16141 | Socket | Machined | Size 16 | 13A | 16-20AWG | - | - | Nickel-Plated | - | - |
| AT62-201-1631 | Socket | Machined | Size 16 | 13A | 16-20AWG | - | - | Gold-Plated | - | - |
| AT62-201-16141-22 | Socket | Machined | Size 16 | 13A | 22-24AWG | - | - | Nickel-Plated | - | - |
| AT62-201-1631-22 | Socket | Machined | Size 16 | 13A | 22-24AWG | - | - | Gold-Plated | - | - |

Contacts - Stamped & Formed

| | | | | | | | | | | |
|-----------------|--------|-----|---------|-----|----------|-------------------------|---------------|---------------|-------|-------------|
| AT60-14-0122 | Pin | S&F | Size 16 | 13A | 14-18AWG | 2.0-0.75mm ² | 2.40 - 3.81mm | Nickel-Plated | - | - |
| AT60-14-0122-LP | Pin | S&F | Size 16 | 13A | 14-18AWG | 2.0-0.75mm ² | 2.40 - 3.81mm | Nickel-Plated | - | Loose Piece |
| AT60-14-0144 | Pin | S&F | Size 16 | 13A | 14-18AWG | 2.0-0.75mm ² | 2.40 - 3.81mm | Gold-Plated | - | - |
| AT60-14-0144-LP | Pin | S&F | Size 16 | 13A | 14-18AWG | 2.0-0.75mm ² | 2.40 - 3.81mm | Gold-Plated | - | Loose Piece |
| AT60-16-0122 | Pin | S&F | Size 16 | 13A | 16-18AWG | 1.5-0.75mm ² | 1.91 - 3.55mm | Nickel-Plated | - | - |
| AT60-16-0122-LP | Pin | S&F | Size 16 | 13A | 16-18AWG | 1.5-0.75mm ² | 1.91 - 3.55mm | Nickel-Plated | - | Loose Piece |
| AT60-16-0144 | Pin | S&F | Size 16 | 13A | 16-18AWG | 1.5-0.75mm ² | 1.91 - 3.55mm | Gold-Plated | - | - |
| AT60-16-0144-LP | Pin | S&F | Size 16 | 13A | 16-18AWG | 1.5-0.75mm ² | 1.91 - 3.55mm | Gold-Plated | - | Loose Piece |
| AT60-16-0622 | Pin | S&F | Size 16 | 13A | 16-20AWG | 1.0-0.5mm ² | 1.40 - 2.54mm | Nickel-Plated | - | - |
| AT60-16-0622-LP | Pin | S&F | Size 16 | 13A | 16-20AWG | 1.0-0.5mm ² | 1.40 - 2.54mm | Nickel-Plated | - | Loose Piece |
| AT60-16-0644 | Pin | S&F | Size 16 | 13A | 16-20AWG | 1.0-0.5mm ² | 1.40 - 2.54mm | Gold-Plated | - | - |
| AT60-16-0644-LP | Pin | S&F | Size 16 | 13A | 16-20AWG | 1.0-0.5mm ² | 1.40 - 2.54mm | Gold-Plated | - | Loose Piece |
| AT60-16-0322 | Pin | S&F | Size 16 | 13A | 20-22AWG | 0.5-0.35mm ² | 1.31 - 1.50mm | Nickel-Plated | - | - |
| AT60-16-0344 | Pin | S&F | Size 16 | 13A | 20-22AWG | 0.5-0.35mm ² | 1.31 - 1.50mm | Gold-Plated | - | - |
| AT60-16-0377 | Pin | S&F | Size 16 | 13A | 20-22AWG | 0.5-0.35mm ² | 1.31 - 1.50mm | Tin-Plated | - | - |
| AT60-16-0822 | Pin | S&F | Size 16 | 13A | 20-22AWG | 0.5-0.35mm ² | 1.31 - 1.50mm | Nickel-Plated | 4,000 | - |
| AT60-16-0844 | Pin | S&F | Size 16 | 13A | 20-22AWG | 0.5-0.35mm ² | 1.31 - 1.50mm | Gold-Plated | 4,000 | - |
| AT62-14-0122 | Socket | S&F | Size 16 | 13A | 14-18AWG | 2.0-0.75mm ² | 2.40 - 3.81mm | Nickel-Plated | - | - |
| AT62-14-0122-LP | Socket | S&F | Size 16 | 13A | 14-18AWG | 2.0-0.75mm ² | 2.40 - 3.81mm | Nickel-Plated | - | Loose Piece |
| AT62-14-0144 | Socket | S&F | Size 16 | 13A | 14-18AWG | 2.0-0.75mm ² | 2.40 - 3.81mm | Gold-Plated | - | - |
| AT62-14-0144-LP | Socket | S&F | Size 16 | 13A | 14-18AWG | 2.0-0.75mm ² | 2.40 - 3.81mm | Gold-Plated | - | Loose Piece |
| AT62-16-0122 | Socket | S&F | Size 16 | 13A | 16-18AWG | 1.5-0.75mm ² | 1.91 - 3.55mm | Nickel-Plated | - | - |
| AT62-16-0122-LP | Socket | S&F | Size 16 | 13A | 16-18AWG | 1.5-0.75mm ² | 1.91 - 3.55mm | Nickel-Plated | - | Loose Piece |
| AT62-16-0144 | Socket | S&F | Size 16 | 13A | 16-18AWG | 1.5-0.75mm ² | 1.91 - 3.55mm | Gold-Plated | - | - |

AT, ATV, AHD, ARB, ARC, DuraMate™ and PanelMate™ Series

Size 16 Contact & Tooling Options, cont.

Contacts - Stamped & Formed, cont.

| Part Number | Type | Style | Contact Size | Amp | Wire Range (AWG) | Wire Range (mm ²) | Insulation OD (mm) | Plating | Reel Size | Packaging |
|-----------------|--------|-------|--------------|-----|------------------|-------------------------------|--------------------|---------------|-----------|-------------|
| AT62-16-0144-LP | Socket | S&F | Size 16 | 13A | 16-18AWG | 1.5-0.75mm ² | 1.91 - 3.55mm | Gold-Plated | - | Loose Piece |
| AT62-16-0622 | Socket | S&F | Size 16 | 13A | 16-20AWG | 1.0-0.5mm ² | 1.40 - 2.54mm | Nickel-Plated | - | - |
| AT62-16-0622-LP | Socket | S&F | Size 16 | 13A | 16-20AWG | 1.0-0.5mm ² | 1.40 - 2.54mm | Nickel-Plated | - | Loose Piece |
| AT62-16-0644 | Socket | S&F | Size 16 | 13A | 18-20AWG | 1.0-0.5mm ² | 1.40 - 2.54mm | Gold-Plated | - | - |
| AT62-16-0644-LP | Socket | S&F | Size 16 | 13A | 18-20AWG | 1.0-0.5mm ² | 1.40 - 2.54mm | Gold-Plated | - | Loose Piece |
| AT62-16-0822 | Socket | S&F | Size 16 | 13A | 20-22AWG | 0.5-0.35mm ² | 1.31 - 1.50mm | Nickel-Plated | 4,000 | - |
| AT62-16-0844 | Socket | S&F | Size 16 | 13A | 20-22AWG | 0.5-0.35mm ² | 1.31 - 1.50mm | Gold-Plated | 4,000 | - |

Tooling

| Part Number | Tool Name | Style | Contact Size | Wire Range (AWG) | Material | Color |
|------------------|--|-----------|---------------|------------------|---------------|---------|
| AUTK-16 | Hand Crimp Tool | Machined | Size 16 | - | - | - |
| AUTK-100 | Universal Heavy Duty Contact Crimping Tool Kit | Machined | Size 12/16/20 | 12-26AWG | - | - |
| CA-5D12 | Universal Hand Crimp Tool | Machined | Size 12/16/20 | 12-26AWG | - | - |
| CA-5E12 | Pneumatic Crimp Tool | Machined | Size 12/16/20 | 12-26AWG | - | - |
| MFX-3950-G or K | Crimp Die Press Applicator | S&F | Size 16 | 18-20AWG | - | - |
| MFX-3953-G or K | Crimp Die Press Applicator | S&F | Size 16 | 16-18AWG | - | - |
| MFX-3975-G or K | Crimp Die Press Applicator | S&F | Size 16 | 14-16AWG | - | - |
| MFX-3990 | Crimp Die | S&F | Size 16 | 20-22AWG | - | - |
| ATT-16-00 | Hand Crimp Tool | S&F | Size 16 | 14-16AWG | - | - |
| ATT-16-01 | Hand Crimp Tool | S&F | Size 16 | 18-20AWG | - | - |
| ATT-1612-03 | Hand Crimp Tool | S&F | Size 12/16 | 20-22AWG | - | - |
| ATRT-100 | Contact and Wedgelock Extraction Tool | Universal | Universal | - | Steel | Silver |
| AT11-310-1605 | Contact Extraction Tool | Universal | Size 16 | - | Plastic | Lt Blue |
| A114017 | Seal Plug | Universal | Size 12/16 | - | Thermoplastic | White |
| A114017-SR | Seal Plug | Universal | Size 16 | - | Thermoplastic | Black |
| AT13-217-1605 | Locking Seal Plug | Universal | Size 16 | - | Thermoplastic | Grey |
| AT13-217-1605-SR | Locking Seal Plug | Universal | Size 16 | - | Thermoplastic | Red |