

PRODUCT DESCRIPTION CODE :

10155546-YOXX LF

RoHS COMPATIBLE

CODING TYPE :  
 A = CODING A  
 BLACK COLOR  
 B = CODING B  
 GREEN COLOR  
 C = CODING C  
 GREY COLOR  
 D = CODING D  
 PURPLE COLOR

BLANK = WITH CPA STD (2 TO 16POS)  
 W = WITHOUT CPA  
 G = WITH CPA GRIP (6 TO 16POS)  
 NUMBER OF POSITIONS : 2 TO 16POS

NOTES:

1 - MATERIAL:  
 HIGH TEMPERATURE THERMOPLASTIC UL94 V-0  
 HOUSING : COLOR BLACK FOR CODING A  
 COLOR GREEN FOR CODING B  
 COLOR GREY FOR CODING C  
 COLOR PURPLE FOR CODING D  
 TPA : COLOR BROWN  
 CPA STD : COLOR RED  
 CPA GRIP : COLOR RED

2 - FOR USE WITH MicroSpaceXS CTW TERMINALS :  
 AWG 22 TO AWG 28, SERIES 10155447

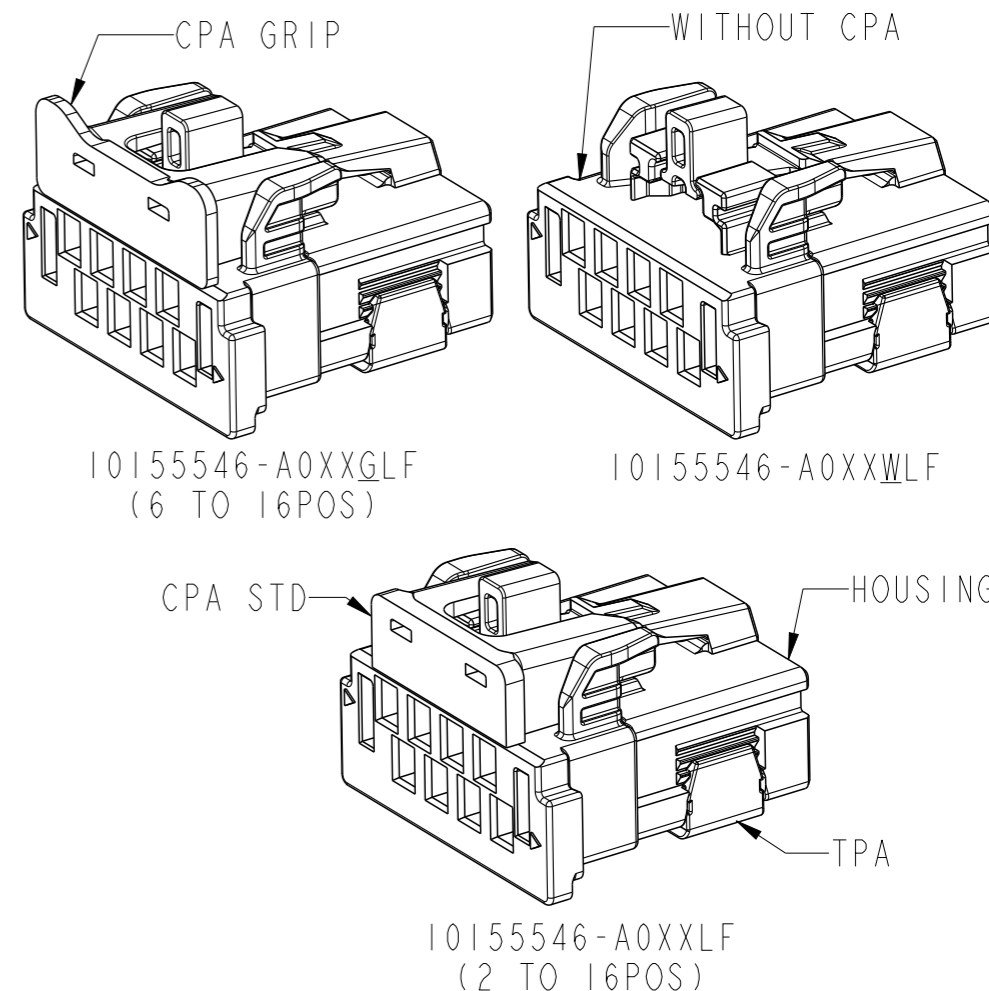
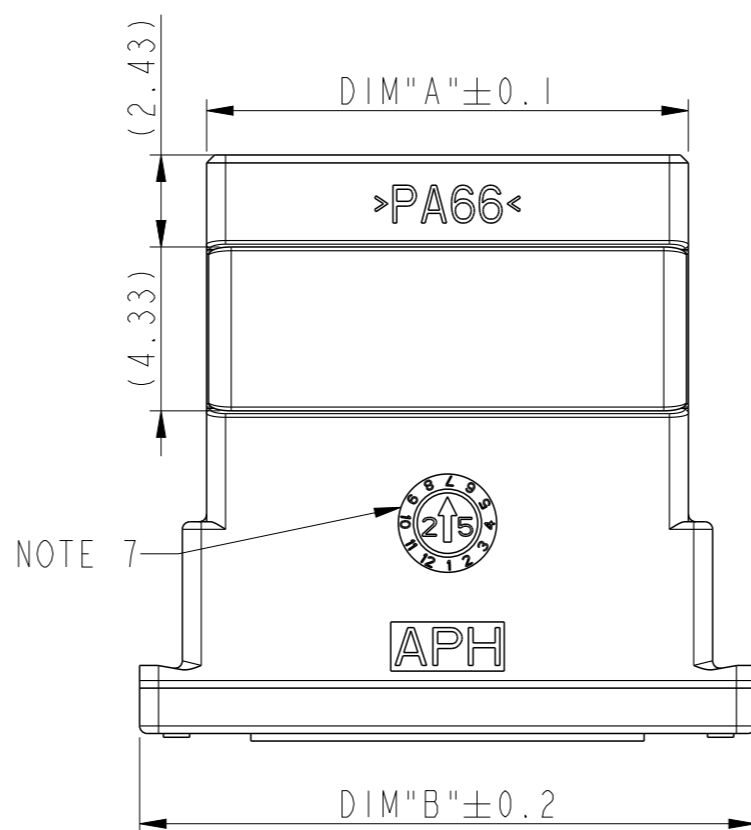
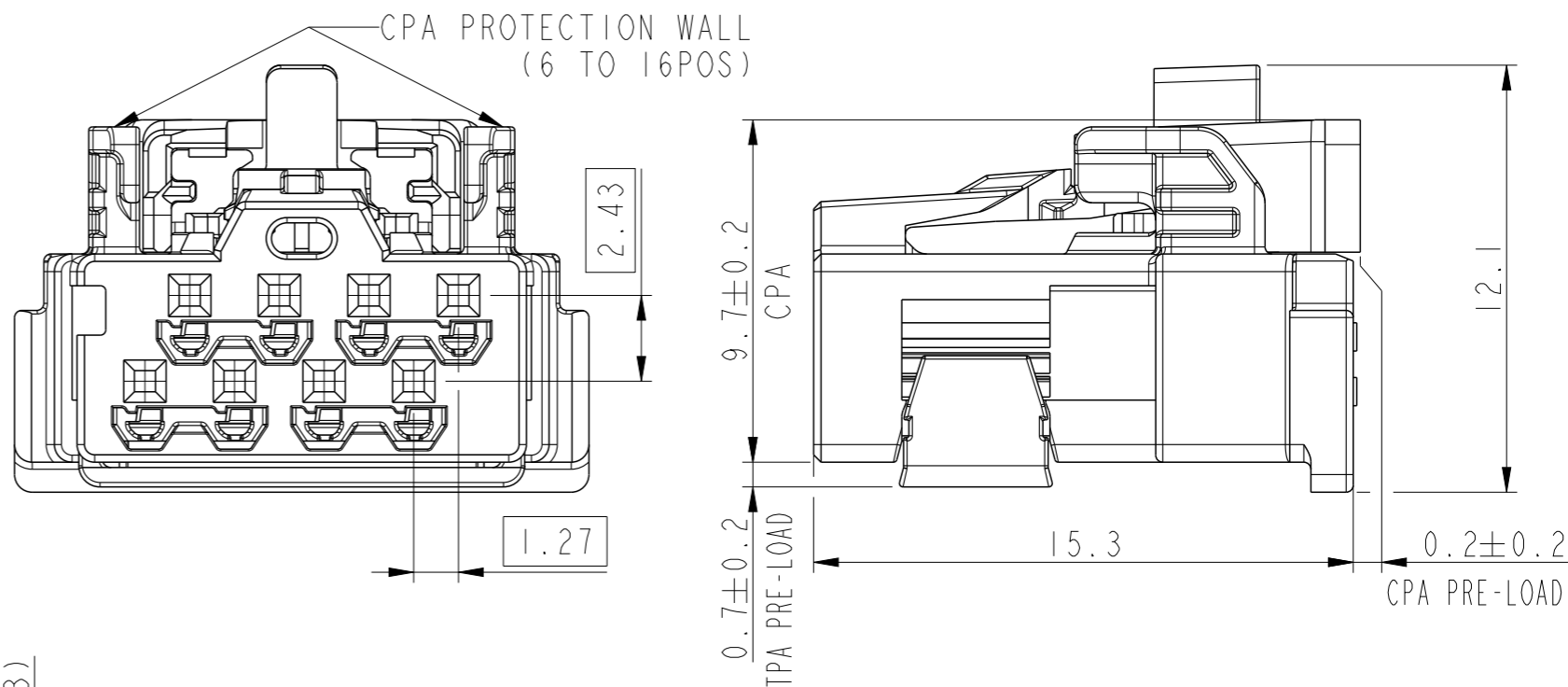
3 - TO BE MATED WITH MicroSpaceXS HEADERS SERIES  
 10177773

4 - PRODUCT SPECIFICATION : GS-12-2109  
 PACKAGING SPECIFICATION : GS-14-2777  
 APPLICATION SPECIFICATION : GS-20-0965

5 - THE PRODUCT IS NOT INTENDED TO BE EXPOSED TO ANY  
 SOLDER PROCESS.

6 - RoHS COMPATIBLE PRODUCT SPECIFICATIONS  
 a - LABELLING :  
 MEETS PACKAGING SPECS AS PER GS-14-920  
 b - THIS PRODUCT/ PACKAGING MEETS EUROPEAN UNION  
 DIRECTIVES AND OTHERS COUNTRY REGULATIONS AS  
 DESCRIBED IN GS-47-0004

7 - HOUSING MOLDED YEAR & MONTH.  
 ASSEMBLY DATE PLEASE REFER TO PACKAGING LABEL



spec ref	GS-12-2109	dr	Huang, Yin-Chi	2025/08/29	projection	mm	size	A3	scale	5:1
tolerance std	ISO 406 ISO 1101	eng	Huang, Yin-Chi	2025/12/09			ecn no	rel level	Released	rev
surface	linear	chr	Bandinu, Flori	2025/12/09						
	angular	appr	Vallière, Jérôme	2025/12/09					10155546	A
									cat. no. - Product - Customer Drw sheet 1 of 4	

Amphenol  
FCi

RECEIPT ASSY CPA PROTECTION WALL  
 MicroSpaceXS+

dwg no 10155546  
 rev A

1

2

3

4

Amphenol  
FCi

© 2020 Amphenol Corporation

	CODING A	CODING B	CODING C	CODING D
2 POS				
3 TO 4 POS				
5 TO 10 POS				
11 TO 14 POS				

spec ref	GS-12-2109	dr	Huang, Yin-Chi	2025/08/29	projection		size	A3	scale	3:1
tolerance std	ISO 406 ISO 1101	eng	Huang, Yin-Chi	2025/12/09	product family	mm	ecn no	rel level		
TOLERANCES UNLESS OTHERWISE SPECIFIED		chr	Bandinu, Flori	2025/12/09			Released			
surface	linear	appr	Vallière, Jérôme	2025/12/09	RECEPT ASSY CPA PROTECTION WALL		dwg no	10155546	rev	
	angular	Amphenol FCi		MicroSpaceXS+		A				
ISO 1302	0.X ±0.3 0.XX ±0.10 0.XXX ± 0° ±2°	cat. no.		Product - Customer Drw			sheet 2 of 4			

Creo File:ELX-WC-A3C\_REV F\_2020-12-21

2

3

PDS: Rev :A

STATUS:Released

Printed: Dec 10, 2025

1

2

3

4

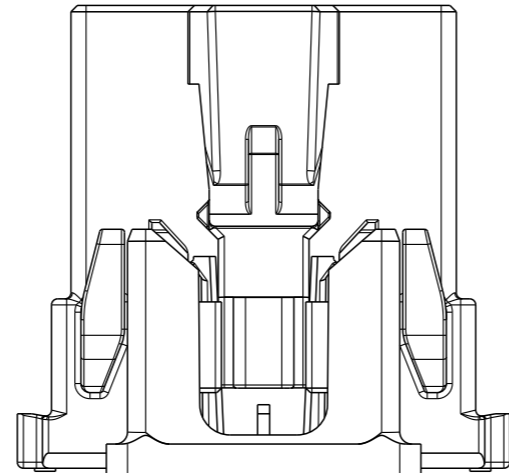
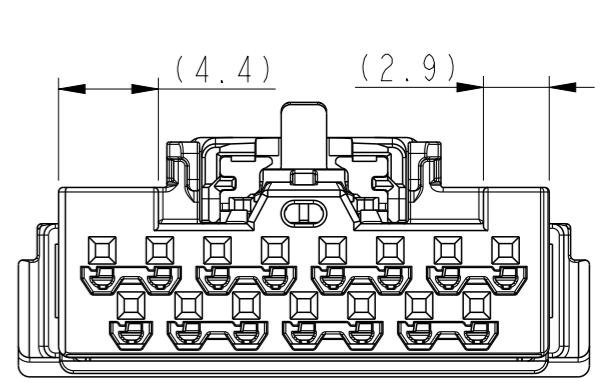
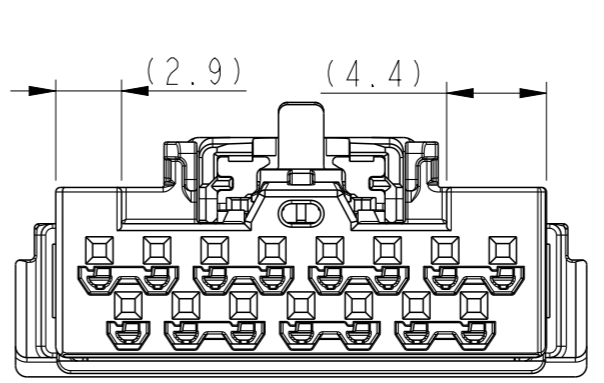
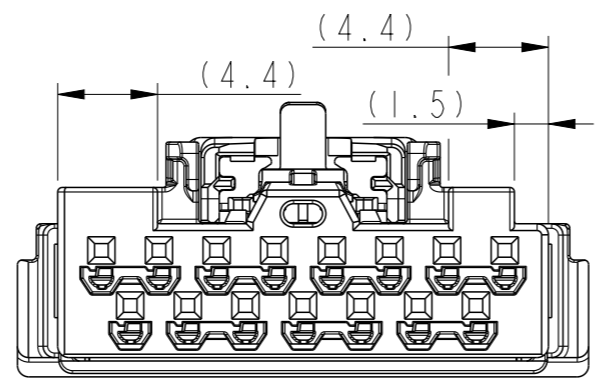
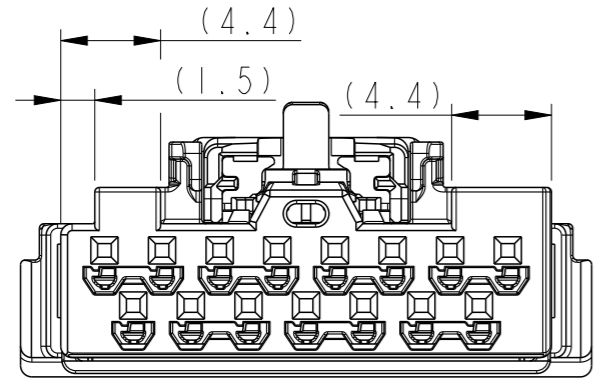
CODING A

CODING B

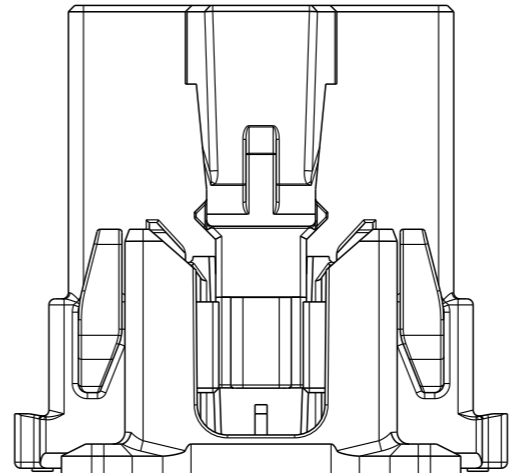
CODING C

CODING D

15 TO 16 POS



10.4±0.1  
CPA STD  
2 TO 16 POS



13.2±0.1  
CPA GRIP  
6 TO 16 POS

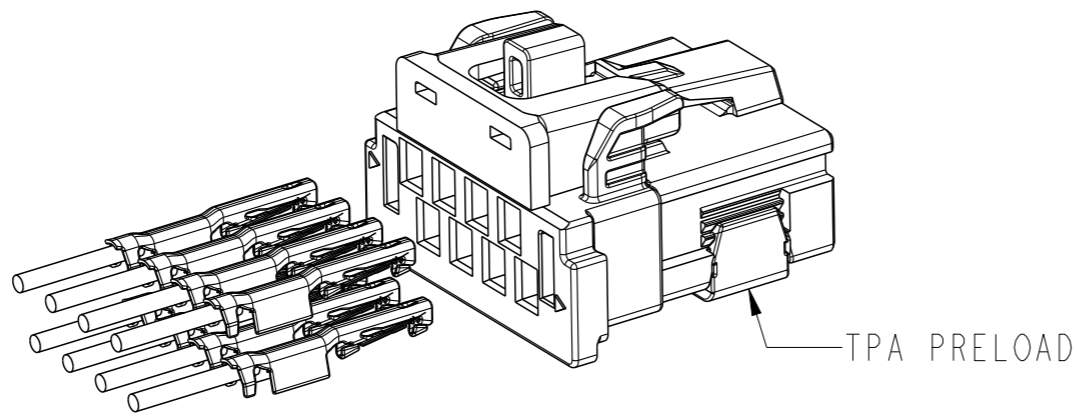
CPA STD & CPA GRIP WIDTH

Amphenol FCI

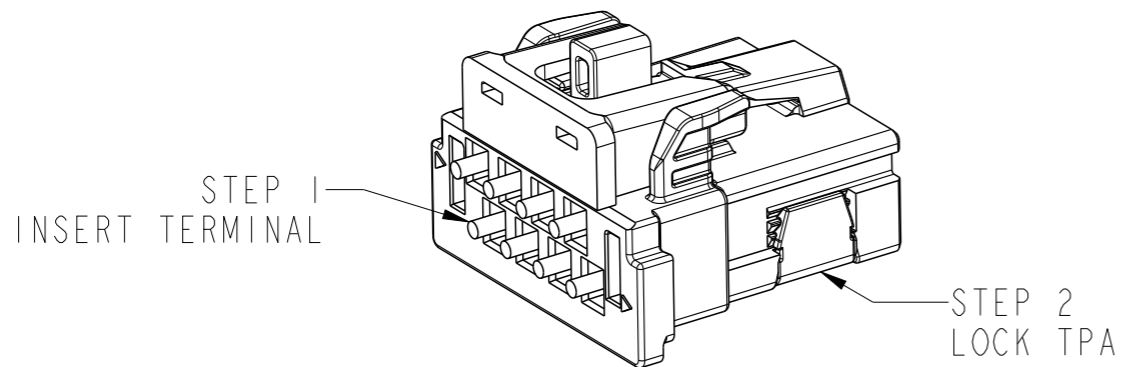
© 2020 Amphenol Corporation

spec ref	GS-12-2109			dr	Huang, Yin-Chi	2025/08/29	projection 	mm ←→	size	A3	scale	3:1	
tolerance std	TOLERANCES UNLESS OTHERWISE SPECIFIED			eng	Huang, Yin-Chi	2025/12/09			product family	ecn no		rel level <b>Released</b>	
ISO 406				chr	Bandinu, Flori	2025/12/09				RECEPT ASSY CPA PROTECTION WALL MicroSpaceXS+	10155546		rev
ISO 1101				appr	Vallière, Jérôme	2025/12/09			cat. no.		-	Product - Customer Drw	sheet 3 of 4
surface	linear	0.X	±0.3	<b>Amphenol FCI</b>				dwg no	10155546		A		
		0.XX	±0.10										
	angular	0°	±2°										

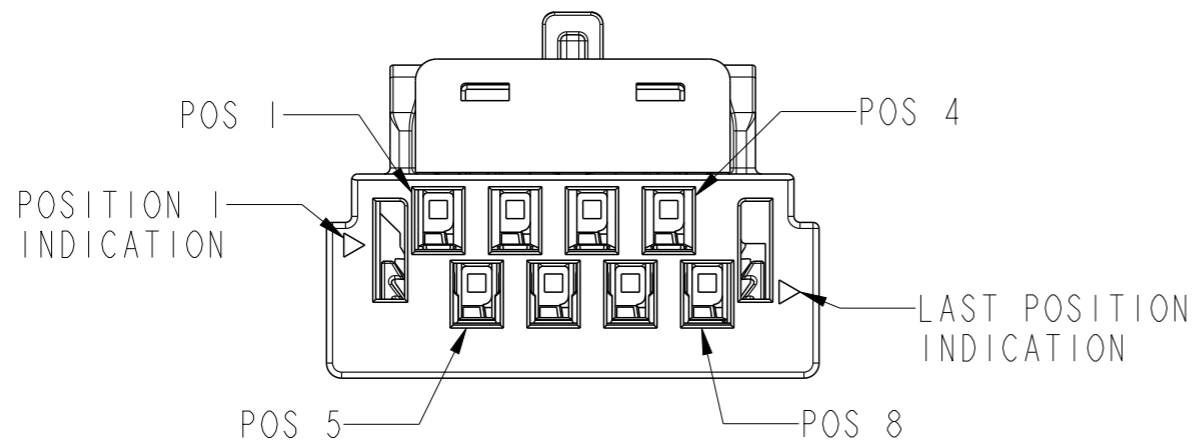
Creo File:ELX-WC-A3C.REV F.2020-12-21



PRE-LOAD CONFIGURATION FOR TERMINAL INSERTION



FINAL LOAD CONFIGURATION WITH INSERTED TERMINAL



POSITION NUMBER INDICATION

PART NO.	NO. OF POS	CODING AVAILABILITY	DIM "A"	DIM "B"
10155546-Y002LF	02	ON DEMAND	5.12	8.66
10155546-Y003LF	03	ON DEMAND	6.39	9.93
10155546-Y004LF	04	ON DEMAND	7.66	11.20
10155546-Y005LF	05	ON DEMAND	8.93	12.47
10155546-Y006LF	06	ON DEMAND	10.20	13.74
10155546-Y007LF	07	ON DEMAND	11.47	15.01
10155546-Y008LF	08	A	12.74	16.28
10155546-Y009LF	09	ON DEMAND	14.01	17.55
10155546-Y010LF	10	ON DEMAND	15.28	18.82
10155546-Y011LF	11	ON DEMAND	16.55	20.09
10155546-Y012LF	12	ON DEMAND	17.82	21.36
10155546-Y013LF	13	ON DEMAND	19.09	22.63
10155546-Y014LF	14	ON DEMAND	20.36	23.90
10155546-Y015LF	15	ON DEMAND	21.63	25.17
10155546-Y016LF	16	ON DEMAND	22.90	26.44

Amphenol  
FCi

© 2020 Amphenol Corporation

spec ref	GS-12-2109	dr	Huang, Yin-Chi	2025/08/29	projection	mm	size	A3	scale	4:1
tolerance std	ISO 406 ISO 1101	eng	Huang, Yin-Chi	2025/12/09			ecn no		rel level	
surface	linear	chr	Bandinu, Flori	2025/12/09			Released			
	angular	appr	Vallière, Jérôme	2025/12/09	product family	dwg no		rev		
	0.X ±0.3 0.XX ±0.10 0.XXX ± ISO 1302			RECEIPT ASSY CPA PROTECTION WALL		10155546		A		
		cat. no.		Product - Customer Drw		sheet 4 of 4				