

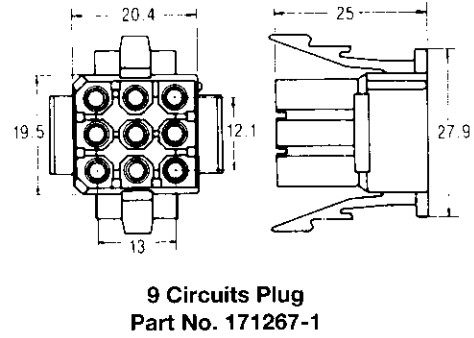
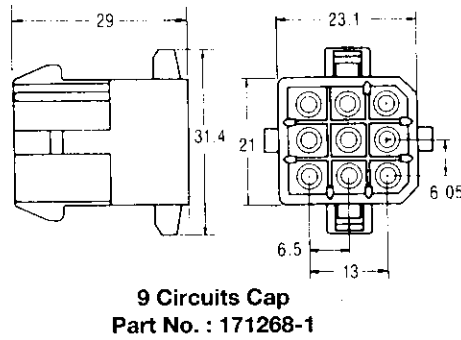
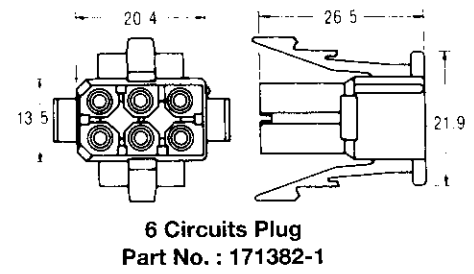
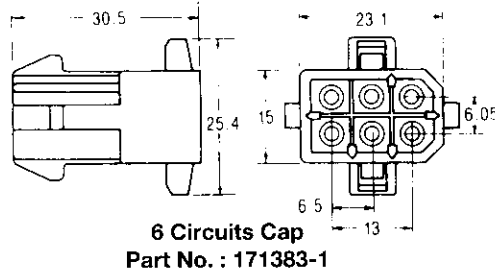
# Wire to Board Connectors

## Commercial MATE-N-LOK Connectors

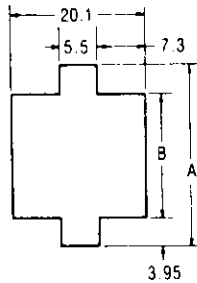
### Wire Application Side (Panel Mount Applications)

#### Housings (Cont'd) 6 and 9 Circuits

Material : 66 Nylon, Natural color



#### Plug Housing Panel Cutout



- A: 19.9 (6 Circuit)  
25.9 (9 Circuit)
- B: 12 (6 Circuit)  
18 (9 Circuit)

#### Notes:

1. Recommended panel thickness : 0.80--1.65mm.
2. Panel must be punched so that housing enters panel in same direction as the punch.
3. Dimensional tolerances are 0.1mm.
4. Corners : 0.2R max. (6 Circuit)  
0.4R max. (9 Circuit)
5. Acceptable contact —  
#61116, #61118 for cap housing  
#61117, #170147, #170120 for plug housing
6. Will not accept contacts with two wires terminated.