

ICS20-F45D15-7035 - Connection plate



2203893

<https://www.phoenixcontact.com/us/products/2203893>

Please be informed that the data shown in this PDF document is generated from our online catalog. Please find the complete data in the user documentation. Our general terms of use for downloads are valid.

DIN rail housing, ICS filler, with D-SUB 15 function cutout, width: 20 mm, height: 7.25 mm, depth: 44.9 mm, color: light grey (similar RAL 7035)



Your advantages

- Flexible use, thanks to the modular system and unique modularity in the connection technology
- Standardized connections such as RJ45, USB, D-SUB and antenna sockets as components that can be integrated
- Optimal space utilization, as well as adaptability of design, colors, and printing
- Customized processing for any customer-specific connection technology
- Easy and fast push-in mounting of assembled printed-circuit boards, thanks to stable guide rails

Commercial data

| | |
|--------------------------------------|---------------|
| Item number | 2203893 |
| Packing unit | 10 pc |
| Minimum order quantity | 10 pc |
| Sales key | AC09 |
| Product key | ACHAEE |
| GTIN | 4055626465982 |
| Weight per piece (including packing) | 2.28 g |
| Weight per piece (excluding packing) | 2.28 g |
| Customs tariff number | 85389099 |
| Country of origin | DE |

ICS20-F45D15-7035 - Connection plate



2203893

<https://www.phoenixcontact.com/us/products/2203893>

Technical data

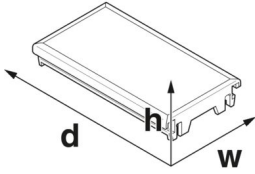
Notes

| | |
|---------------|---|
| Assembly note | Refer to the data sheet for the range in the download area. |
|---------------|---|

Product properties

| | |
|------------------------------|---|
| Product type | Connection plate |
| Housing type | DIN rail housing |
| Housing series | ICS |
| Product family | ICS20 |
| Type | ICS filler, with D-SUB 15 function cutout |
| Ventilation openings present | no |

Dimensions

| | |
|---------------------|---|
| Dimensional drawing |  |
| Width | 20 mm |
| Height | 7.25 mm |
| Depth | 44.9 mm |

PCB design

| | |
|---------------|-------------------|
| PCB thickness | 1.4 mm ... 1.8 mm |
|---------------|-------------------|

Material specifications

| | |
|--|-----------------------|
| Color (Housing) | light grey (RAL 7035) |
| Flammability rating according to UL 94 | V0 |
| CTI according to IEC 60112 | 600 |
| Housing material | Polyamide |
| Surface characteristics | untreated |

Environmental and real-life conditions

Vibration test

| | |
|------------------------|-----------------------------|
| Specification | IEC 60068-2-6:2007-12 |
| Frequency | 10 - 150 - 10 Hz |
| Sweep speed | 1 octave/min |
| Amplitude | 0.15 mm (10 Hz ... 58.1 Hz) |
| Acceleration | 2g (58.1 Hz ... 150 Hz) |
| Test duration per axis | 2.5 h |
| Test directions | X-, Y- and Z-axis |

ICS20-F45D15-7035 - Connection plate



2203893

<https://www.phoenixcontact.com/us/products/2203893>

Glow-wire test

| | |
|------------------|------------------------|
| Specification | IEC 60695-2-11:2014-02 |
| Temperature | 850 °C |
| Time of exposure | 30 s |

Thermal stability / ball thrust test

| | |
|---------------|------------------------|
| Specification | IEC 60695-10-2:2014-02 |
| Temperature | 125 °C |
| Test duration | 1 h |
| Force | 20 N |

Mechanical strength / tumbling barrel

| | |
|----------------|------------------------|
| Specification | IEC 60068-2-31:2008-05 |
| Height of fall | 50 cm |
| Frequency | 50 |

Shocks

| | |
|--------------------------------|-----------------------------------|
| Specification | IEC 60068-2-27:2008-02 |
| Pulse shape | Half-sine |
| Acceleration | 15g |
| Shock duration | 11 ms |
| Number of shocks per direction | 3 |
| Test directions | X-, Y- and Z-axis (pos. and neg.) |

Test for substances that would hinder coating with paint or varnish

| | |
|---------------|--------------------|
| Specification | VDMA 24364:2018-05 |
| Result | Test passed |

Ambient conditions

| | |
|---|--|
| Max. IP code to attain | IP20 |
| Ambient temperature (operation) | -40 °C ... 105 °C (depending on power dissipation) |
| Ambient temperature (storage/transport) | -40 °C ... 55 °C |
| Ambient temperature (assembly) | -5 °C ... 100 °C |
| Relative humidity (storage/transport) | 80 % |

PCB data

| | |
|-----------------------|-------------------|
| Number of PCB holders | 2 |
| Type of PCB mount | Slot |
| Thickness of the PCB | 1.4 mm ... 1.8 mm |

Mounting

| | |
|---------------|------|
| Mounting type | Slot |
|---------------|------|

Packaging specifications

| | |
|----------------------|----------------|
| Outer packaging type | Resealable bag |
|----------------------|----------------|

ICS20-F45D15-7035 - Connection plate



2203893

<https://www.phoenixcontact.com/us/products/2203893>

Drawings

Dimensional drawing



Schematic figure for illustrating the item dimensions. The figure is not of the desired product. For further details, refer to the product drawings in the "Downloads" tab.

ICS20-F45D15-7035 - Connection plate



2203893

<https://www.phoenixcontact.com/us/products/2203893>

Approvals

To download certificates, visit the product detail page: <https://www.phoenixcontact.com/us/products/2203893>



UL Recognized

Approval ID: FILE E 240868

ICS20-F45D15-7035 - Connection plate



2203893

<https://www.phoenixcontact.com/us/products/2203893>

Classifications

ECLASS

| | |
|-------------|----------|
| ECLASS-11.0 | 27182702 |
| ECLASS-13.0 | 27190605 |

ETIM

| | |
|----------|----------|
| ETIM 9.0 | EC001031 |
|----------|----------|

UNSPSC

| | |
|-------------|----------|
| UNSPSC 21.0 | 31261500 |
|-------------|----------|

ICS20-F45D15-7035 - Connection plate



2203893

<https://www.phoenixcontact.com/us/products/2203893>

Environmental product compliance

EU RoHS

| | |
|---|--------------------|
| Fulfills EU RoHS substance requirements | Yes, No exemptions |
|---|--------------------|

China RoHS

| | |
|--|--|
| Environment friendly use period (EFUP) | EFUP-E |
| | No hazardous substances above the limits |

EU REACH SVHC

| | |
|-------------------------------------|----------------------------|
| REACH candidate substance (CAS No.) | No substance above 0.1 wt% |
|-------------------------------------|----------------------------|

ICS20-F45D15-7035 - Connection plate



2203893

<https://www.phoenixcontact.com/us/products/2203893>

Mandatory accessories

ICS20-B100X98-O-7035 - Mounting base housing

1355944

<https://www.phoenixcontact.com/us/products/1355944>



DIN rail housing, Lower housing part with metal foot catch, width: 20 mm, height: 100 mm, depth: 108.35 mm, color: light grey (similar RAL 7035), cross connection: DIN rail connector (optional), number of positions cross connector: 8

ICS20-B100X98-V-7035 - Mounting base housing

2203878

<https://www.phoenixcontact.com/us/products/2203878>



DIN rail housing, Lower housing part with metal foot catch, Level 1: with vents, width: 20 mm, height: 100 mm, depth: 108.35 mm, color: light grey (similar RAL 7035), cross connection: DIN rail connector (optional), number of positions cross connector: 8

Accessories

ICS20-F45D15-7035 - Connection plate



2203893

<https://www.phoenixcontact.com/us/products/2203893>

VS-15-ST-DSUB-ER - Contact insert

1688081

<https://www.phoenixcontact.com/us/products/1688081>

D-SUB contact insert, shell size 2, with 15 signal contacts, type of contact pin, for PCB mounting, angled, fixing with M3 thread and solder pins, for panel mounting frame VS-15-...



VS-15-BU-DSUB-ER - Contact insert

1688120

<https://www.phoenixcontact.com/us/products/1688120>

D-SUB contact insert, shell size 2, with 15 signal contacts, type of contact socket, for PCB mounting, angled, fixing with M3 thread and solder pins, for panel mounting frame VS-15-...



ICS20-F45D15-7035 - Connection plate



2203893

<https://www.phoenixcontact.com/us/products/2203893>

ICS20-C100X12-7035 - Upper housing part

2203879

<https://www.phoenixcontact.com/us/products/2203879>

DIN rail housing, Upper part, closed, width: 20 mm, height: 100 mm, depth: 14.35 mm, color: light grey (similar RAL 7035)



ICS20-TL100X12-7035 - Upper housing part

2203880

<https://www.phoenixcontact.com/us/products/2203880>

DIN rail housing, Upper part, with transparent hinged cover, width: 20 mm, height: 101 mm, depth: 14.35 mm, color: light grey (similar RAL 7035)



Phoenix Contact 2024 © - all rights reserved
<https://www.phoenixcontact.com>

Phoenix Contact USA
586 Fulling Mill Road
Middletown, PA 17057, United States
(+717) 944-1300
info@phoenixcon.com