

4

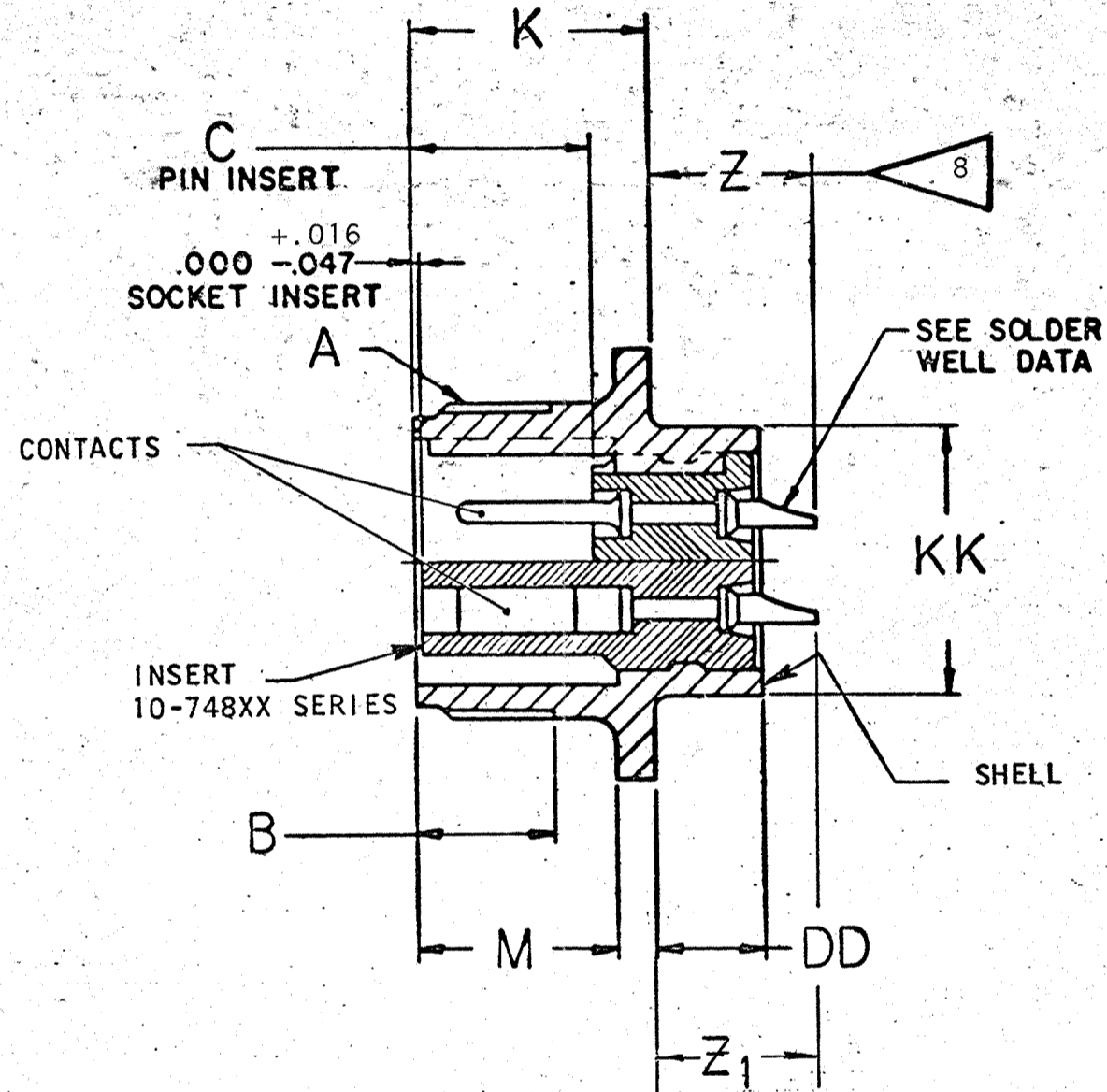
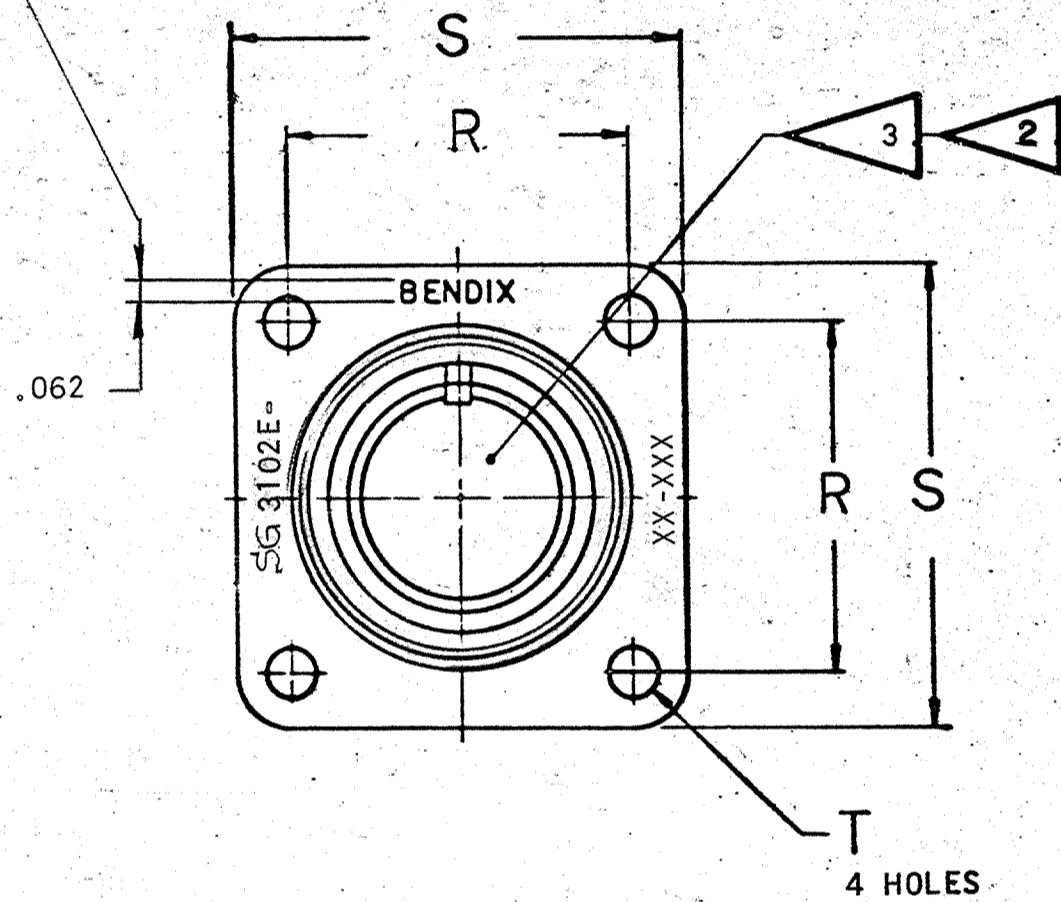
3

2

1

27208-41		REVISIONS		
ZONE	LTR	DESCRIPTION	DATE	APPROVED
	D6	REDRAWN SAME SIZE; PROVIDED AN & SG STAMPING DATA; ADDED SIZES 44 & 48 TO DATA REV & STANDARDIZED; SEE CHANGE NOTICE ECN: 55525-63	10-10-72 LAMBRECHT	<i>Hammer</i> M
	E	(CLII) SEE CHANGE NOTICE ECN: 26459	2-8-93 RIVERBROOK	<i>JEB</i>

STAMP "BENDIX" AND SG NO.
PER 9-2811
EXAMPLE:
SG 3102E-16-62P



CONTACT DATA (WHERE APPLICABLE)				
THERMOCOUPLE		COAXIAL		
MATERIAL	IDENTIFICATION	ARR	CABLE	Z ₁ DIM MAX
CHROMEL	WHITE	24-61	RG-55/U	.619
ALUMEL	GREEN	32-61	RG-59/U	.524
IRON	BLACK	32-62	RG-62/U	.524
CONSTANTAN	YELLOW	36-74	RG-187/U	.816
INSERT ARRANGEMENTS CONTAINING THERMOCOUPLE OR COAXIAL CONTACTS MUST HAVE SUCH CONTACTS ASSEMBLED INTO THE INSERT IN PROPER LOCATIONS AS SPECIFIED BY APPLICABLE DWG L-11908-() THRU L-11948-().		40-64	RG-124/U	.524
		40-66	RG-63/U	1.074
		40-67	RG-59/U	.967
		40-74	RG-9B/U	1.087
		40-84	RG-62/U	1.067
		40-86	RG-9/U	1.087
		40-86	RG-5B/U	1.067
		40-86	RG-115A/U	1.087

STANDARD SOLDER WELL DATA						SPECIAL SOLDER WELL DATA			THERMOCOUPLE	
CONTACT SIZE	0	4	8	12	16	8 FOR NO. 6 WIRE	12 FOR NO. 10 WIRE	16 FOR NO. 12 WIRE	12	16
WELL DIA	.469 ^{+.005} _{-.003}	.332 ^{+.005} _{-.003}	.209 ^{+.004} _{-.002}	.116 ^{+.004} _{-.002}	.078 ^{+.004} _{-.002}	.250±.003	.152 ^{+.004} _{-.002}	.109 ^{+.004} _{-.001}	.125 ^{+.004} _{-.002}	.094 ^{+.004} _{-.002}
WELL DEPTH	.625	.625	.500	.375	.250	.500	.250	.188	.250	.188

FIND NO.	QTY REQD	CODE IDENT	PART NUMBER	DESCRIPTION	NOTE REF.	
PARTS LIST						
UNLESS OTHERWISE SPECIFIED LINEAR DIMENSIONS ARE IN INCHES. TOLERANCES: .XXX ± .010, .XX ± .03, .X ± .1, ANGLES ± 2°. OTHER STANDARDS PER 9-3800 AND MIL-D-1000. NOTE REF			SIGNATURES	DATES	The Bendix Corporation Electrical Components Division Sidney, New York TITLE: CONNECTOR, ELECTRICAL RECEPTACLE, TYPE SG() FB	
MATERIAL SPEC			PREPARED	S. DAY		11-7-66
			CHECKED	<i>Dr. M. Millen</i>		10-2-73
PROCESS SPEC TEST 9-3106-1 ASSY 9-3238-1 9-2437 9-2811			APPROVED	<i>M. C. Chapler</i>		12-7-72
			APPROVED	<i>J. M. Hammer</i>	10-2-73	
SIZE	CODE IDENT NO.	10-69208 THRU 10-69250		U		
C	77820					
SCALE NONE	SEE PARTS LIST	REF	SHEET 1 OF 2 TAB.			

SEE SHEET 2

NOTES:

USE OF THIS DOCUMENT IS UNLIMITED. DOCUMENTS REFERENCED HEREON CONTAIN LIMITED RIGHTS DATA.

NEXT ASSEMBLY

10-69208/50

A

D

C

B

TAB.

4

3

2

1

ASSEMBLY NUMBER	SG NO.	SHELL	A THREAD (PLATED) CLASS 2A	B MIN FULL THD	C +.016 -.047	K +.020 -.010	M +.010 -.000	R ±.005	S	T DIA +.004 -.002	Z MAX	DD	KK DIA
10-69208-	3102E- 8S -	10-37262- 8	.500-28 UNEF	.391	.492	.672	.562	.594	.875±.010	.120	.472	.297+.000-.010	.375+.010-.000
10-69210-	-10S -	-10	.625-24 UNEF					.719	1.000				.500
10-69211-	-10SL-	-11	.625-24 UNEF					.719	1.000				.625
10-69212-	-12S -	-12	.750-20 UNEF	.450				.812	1.094				.625
10-69213-	-12 -	-13	.750-20 UNEF	.625	.679	.860	.750	.812	1.094		.722	.484	.625
10-69214-	-14S -	-14	.875-20 UNEF	.450	.492	.672	.562	.906	1.188		.472	.297	.750
10-69215-	-14 -	-15	.875-20 UNEF	.625	.679	.860	.750	.906	1.188		.722	.484	.750
10-69216-	-16S -	-16	1.000-20 UNEF	.450	.492	.672	.562	.969	1.281		.472	.297	.875
10-69217-	-16 -	-17	1.000-20 UNEF	.625	.679	.860	.750	.969	1.281		.722	.484	.875
10-69218-	-18 -	-18	1.125-18 UNEF			.891		1.062	1.375		.691	.453	1.000
10-69220-	-20 -	-20	1.250-18 UNEF					1.156	1.500				1.125
10-69222-	-22 -	-22	1.375-18 UNEF					1.250	1.625				1.250
10-69224-	-24 -	-24	1.500-18 UNEF			.953	.812	1.375	1.750	.147	.628		1.375
10-69228-	-28 -	-28	1.750-18 UNS			.953	.812	1.562	2.000	.147	.628		1.625
10-69232-	-32 -	-32	2.000-18 UNS			1.031	.875	1.750	2.250	.173	.550	.438	1.875
10-69236-	-36 -	-36	2.250-16 UN					1.938	2.500				2.062
10-69240-	-40 -	-40	2.500-16 UN					2.188	2.750				2.312
10-69244-	-44 -	-44	2.750-16 UN			1.063		2.375	3.000±.020		.768	.543+.020-.030	2.594±.010
10-69248-	-48 -	-48	3.000-16 UN			1.063		2.625	3.250±.020	.209	.769	.543	2.812±.010
10-69249/50			NOT AVAILABLE										

6

9. UNITS ILLUSTRATED MEET THE MATERIAL & FINISH REQUIREMENTS OF MIL-C-5015D.
8. FOR SIZE "0" CONTACTS, INCREASE Z DIM BY .312. FOR SHELL SIZES 8 THRU 40, & BY .062 FOR SHELL SIZES 44 AND 48.
7. FOR COMPONENT PART NUMBERS, QUANTITIES AND RELEASE STATUS OF THE DESIRED UNIT, SEE SEPARATE PARTS LIST.
6. TO COMPLETE ASSEMBLY NUMBER & SG NO., ADD APPLICABLE INSERT ARRANGEMENT SUFFIX TO BASE NUMBERS LISTED ABOVE. (FOR ALTERNATE ARRANGEMENTS, REFER TO 9-2437).
5. FOR MATING PLUG ASSEMBLIES, SEE 10-69608 THRU 10-69650 & OTHERS.
4. SEE WORK ORDER FOR PERMISSIBLE ADDITIONAL OR ALTERNATE STAMPING.
3. INSERTS AND CONTACTS ARE NOT REMOVABLE.
2. FOR CONTACT SIZE, SPACING & SERVICE RATING, SEE DRAWINGS AND10425 THRU AND10438 & L-11908/48.

NOTES:

SIZE	CODE IDENT NO.	10-69208 THRU
C	77820	10-69250

REV	SYN	D	E									SCALE	WT	REF	SHEET	2
-----	-----	---	---	--	--	--	--	--	--	--	--	-------	----	-----	-------	---

TAB.