

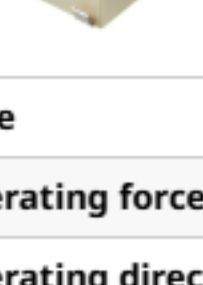
NET SHOP | 3D CAD | Product Specification | PDF Catalog

Automotive | Standard | Print

Basic information | Dimensions | Land Dimensions | Circuit Diagram | Packing Specifications | Soldering Conditions | Members Area

MEMBERS ONLY | Save Item | Contact

**Basic information**



Type	Surface mount
Operating force	3.0N
Operating direction	Top push
Travel	0.2mm
Product height	2.5mm
Operating life	100,000 cycles
Initial contact resistance	500mΩ max.
Stem color	Black
Dimensions(W×D×H)	4.2×3.2×2.5

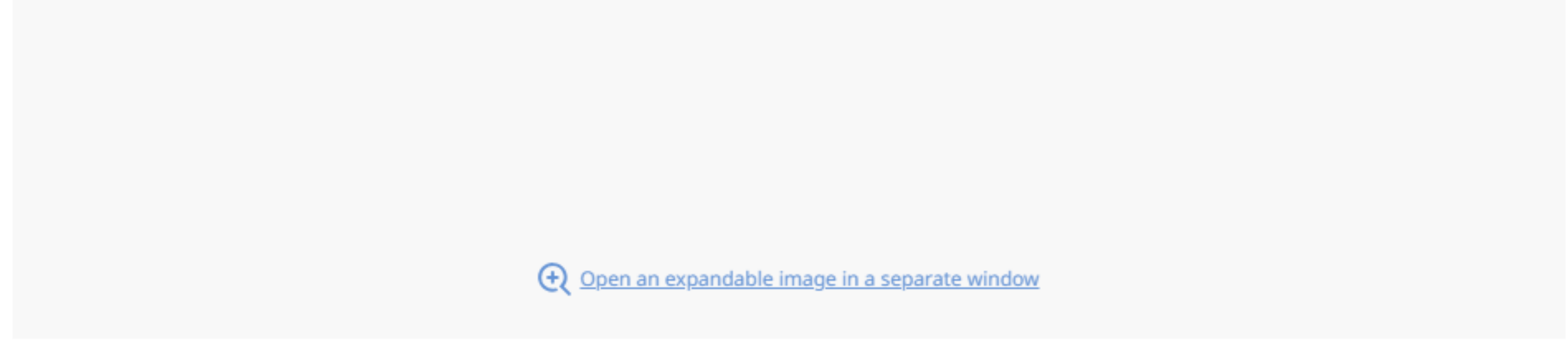
**Specifications**

Series type	Sharp feeling type	
Operating temperature range	-40°C to +90°C	
Absolute Maximum Ratings	50mA 16V DC	
Rating (min.)	10μA 1V DC	
Electrical performance	Insulation resistance	100MΩ min. 100V DC for 1 min.
	Voltage proof	250V AC for 1 min.
Durability	Vibration	10 to 55 to 10Hz/min., the amplitude is 1.5mm for all the frequencies, in the 3 direction of X, Y and Z for 2 hours respectively
	Environmental performance	Cold: -40°C 1,000h Dry heat: 90°C 1,000h Damp heat: 60°C, 90 to 95%RH 1,000h
Minimum order unit(pcs.)	Japan	4,000
	Export	4,000

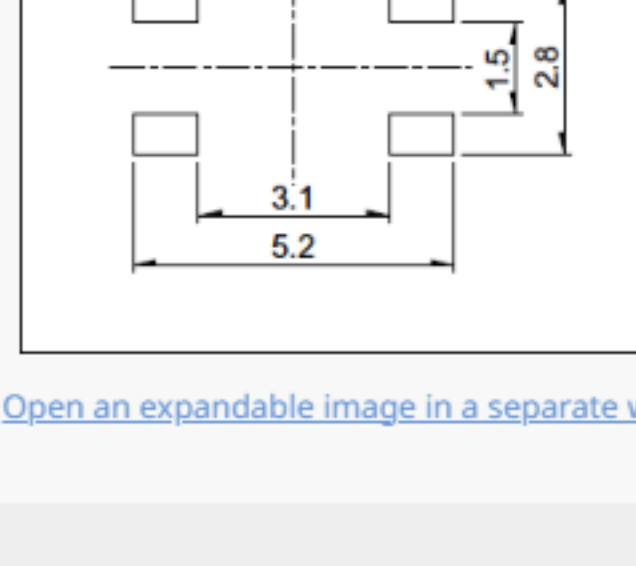
**Selection Guide PDF**  
A definitive selection guide covering comprehensive information on TACT Switch™  
View PDF

**How to Prevent TACT Switch™ Failure Pre-Use Checklist**  
click here

**Dimensions**



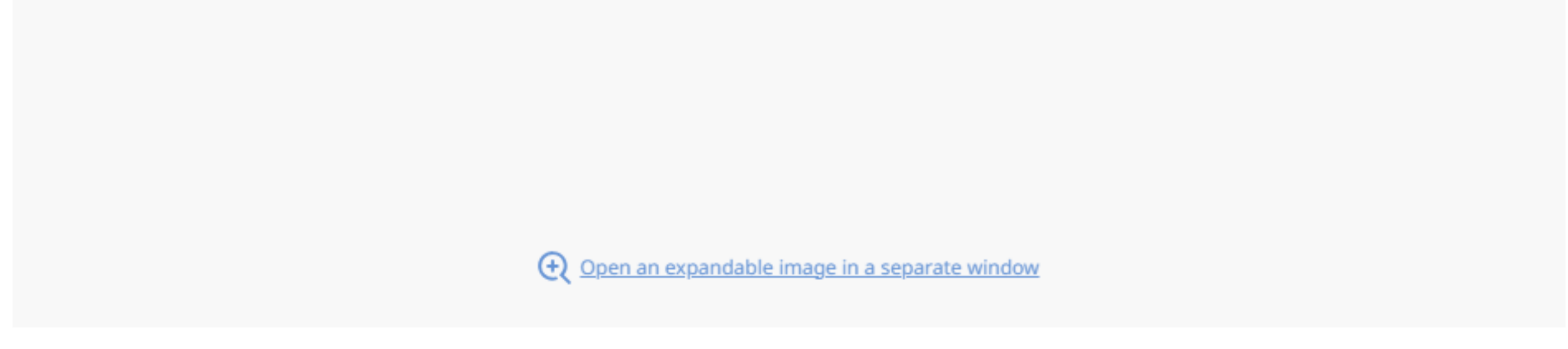
**Land Dimensions**



Viewed from mounting face.

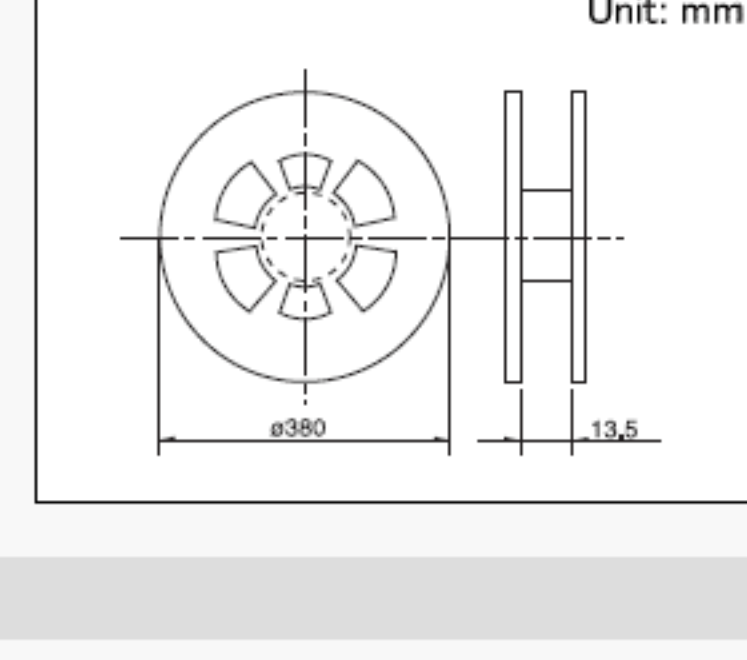
Open an expandable image in a separate window

**Circuit Diagram**



**Packing Specifications**

**Taping**



**Number of packages (pcs.)**

1 reel	4,000
1 case / Japan	40,000
1 case / export packing	40,000

**Tape width (mm)**

12

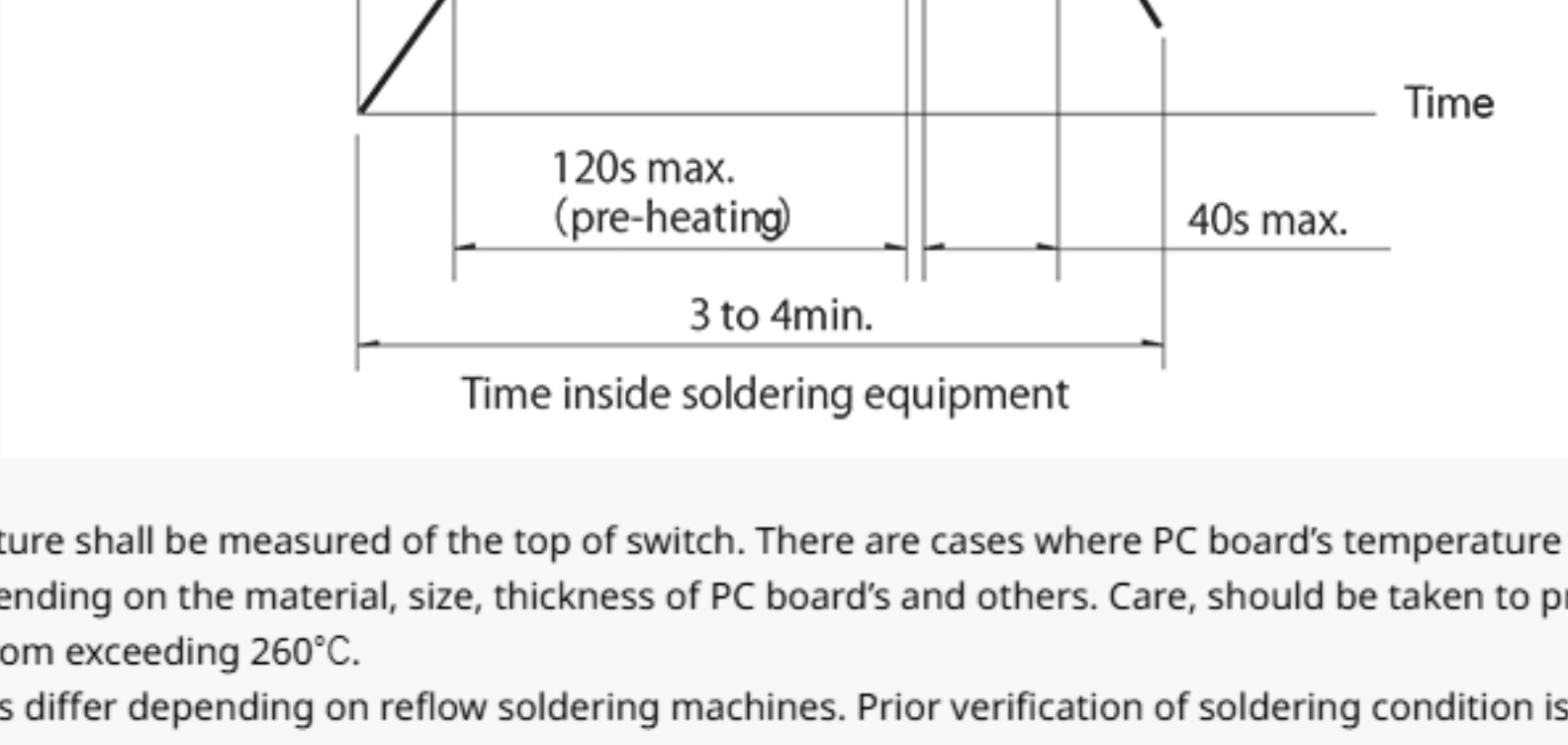
**Export package measurements (mm)**

395×395×205

**Soldering Conditions**

**Condition for Reflow**

- Heating method: Double heating method with infrared heater.
- Temperature measurement: Thermocouple 0.1 to 0.2 Φ CA(K) or CC(T) at solder joints (copper foil surface). A heat resisting tape should be used for fix measurement.
- Temperature profile



(1) The above temperature shall be measured of the top of switch. There are cases where PC board's temperature greatly differs from that of the switch, depending on the material, size, thickness of PC board's and others. Care, should be taken to prevent the switch's surface temperature from exceeding 260°C.

(2) Soldering conditions differ on reflow soldering machines. Prior verification of soldering condition is highly recommended.

4. Allowable soldering time : 2 times Max.

**Manual Soldering**

**Soldering temperature**

350°C max.

**Duration of soldering**

3s max.

**Capacity of soldering iron**

60W max.

- Do not washing the TACT Switch™.
- Prevent flux penetration from the top side of the TACT switch™.
- Switch terminals and a PC board should not be coated with flux prior to soldering.
- The second soldering should be done after the switch returns to normal temperature.

**Members-Only Content**

SKRPAME010 | MEMBERS ONLY

Product Drawing	File format: PDF
Product Material List	File format: PDF
F-S Curve	File format: PDF

**Notes are common to this series/models**

- This site catalog shows only outline specifications. When using the products, please obtain formal specifications for supply.
- Please place purchase orders for taping products per minimum order unit (1 reel or a case).

**Cautions**

- When terminals are exposed to mechanical stress during soldering, it may cause degradation in deformation and electrical property.
- Through-hole PC board, or a PC board thickness other than the recommendation may cause larger heat stress. Prior verification is highly recommended.
- In prior to the 2nd soldering shall be stable with normal temperature. It may cause deformation of switch, loose terminals, terminal removed from PC board, and / or degradation of electric property.
- Verify samples with actual mass production conditions.
- After soldering, do not wash switches with a solvent, etc.
- The products are designed and manufactured for direct current resistance. Individual consultation is recommended for use of other resistances such as inductive (L) or capacitive (C).
- The sizes of holes and patterns on a PC board for mounting a switch, be asper the recommended dimensions in the product drawings.
- This switch is designed for manually operated units. Must not use this switch for a mechanical detection unit. For detection purposes, please use our detection switch.
- The switch will be broken if impact force or a greater stress than that specified is applied. Take great care not to let the switch be subject to greater stress than specified.
- Do not apply a force from the side of the stem.
- Be sure to push the center of switch for "without-stem" type. Extreme care is required for a hinge structure type, as the activation point may shift when it is pressed down.
- The circuit setting (software setting) shall be ensured for error-free operations, caused by bounce and chattering as specified by each model of the switches.
- Prior verification is needed to ensure that no corrosive gas-generating components are used near our switch. It may give negative influence such as contact failure.
- Contact resistance of a carbon contact type may vary depending on push force. Confirm that it functions sufficiently in using TACT Switch™ with a voltage divider circuit.
- Be aware of dust intrusion into a non dust-proof TACT switch™.
- Storage
  - Store the products as delivered, at a normal temperature and humidity, without direct sunshine and corrosive gas ambient. Use them at an earliest possible timing, not later than six months upon receipt.
  - After breaking the seal, keep the products in a plastic bag to prevent out ambient air, store them in the same environment as above, and use all as soon as possible.
  - Do not stack too many switches.
  - Store the key switches in released position.
- TACT Switch is a trademark or registered trademark of Alps Alpine Co., Ltd.

**Inquiries about Products**

**Category List**

Sensors	Semiconductors	TACT Switch™
Switches	Encoders	Potentiometers
Connectors →	Wireless Communication Devices	Multi Control Devices
Aspherical Glass Lenses	Actuators →	haptic reactor →
Capacitive Sensing Modules →		