

# Customer Information Sheet

DRAWING No.: R30-670XX94

SHEET 2 OF 2

IF IN DOUBT - ASK

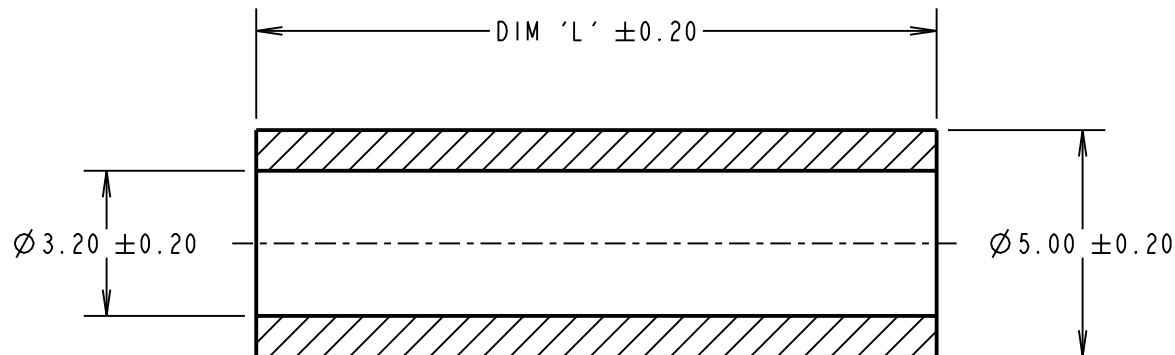
(C)

NOT TO SCALE

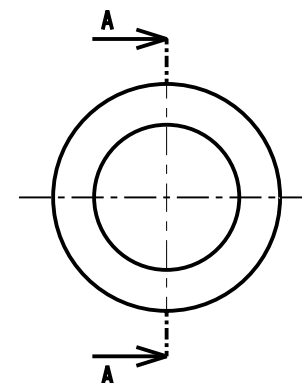
THIRD ANGLE PROJECTION

ALL DIMENSIONS IN mm

PART No.	DIM 'L'
R30-6700394	3.00
R30-6700494	4.00
R30-6700594	5.00
R30-6700694	6.00
R30-6700794	7.00
R30-6700894	8.00
R30-6700994	9.00
R30-6701094	10.00
R30-6701194	11.00
R30-6701294	12.00
R30-6701394	13.00
R30-6701494	14.00
R30-6701594	15.00
R30-6701694	16.00
R30-6701894	18.00
R30-6702094	20.00
R30-6702594	25.00



SECTION A-A



ORDER CODE:

**R30-670XX94**

LENGTH L IN mm

CP	5	24.02.10	10675
NAME	ISS.	DATE	C/NOTE
APPROVED: C. PENROSE			
CHECKED: R. ADDE			
DRAWN: W. J. BOURNE			
CUSTOMER REF.:			
ASSEMBLY DRG:			

## HARWIN

HARWIN USA  
TEL: 603 893 5376  
FAX: 603 893 5396  
mis@harwin.com

HARWIN Europe (UK)  
TEL: 023 9231 4545  
FAX: 023 9231 4590  
mis@harwin.co.uk

HARWIN Asia  
TEL: +65 6 779 4909  
FAX: +65 6 779 3868  
mis@harwin.com.sg

THIS DRAWING AND ANY INFORMATION OR DESCRIPTIVE MATTER SET OUT HEREON ARE CONFIDENTIAL AND COPYRIGHT PROPERTY OF THE HARWIN GROUP AND MUST NOT BE DISCLOSED, LOANED, COPIED OR USED FOR MANUFACTURING, TENDERING OR FOR ANY OTHER PURPOSE WITHOUT THEIR WRITTEN PERMISSION.

TOLERANCES

X. =  $\pm 1$ mm  
X.X =  $\pm 0.25$ mm  
X.XX =  $\pm 0.10$ mm  
X.XXX =  $\pm 0.01$ mm  
ANGLES =  $\pm 5^\circ$   
UNLESS STATED

MATERIAL:

NYLON 66 - WHITE  
UL94V-2

FINISH: CLEAN

S/AREA: mm<sup>2</sup>

TITLE:

M3 CLEARANCE  
CIRCULAR SPACER

DRAWING NUMBER:

**R30-670XX94**

SHT  
2 OF 2