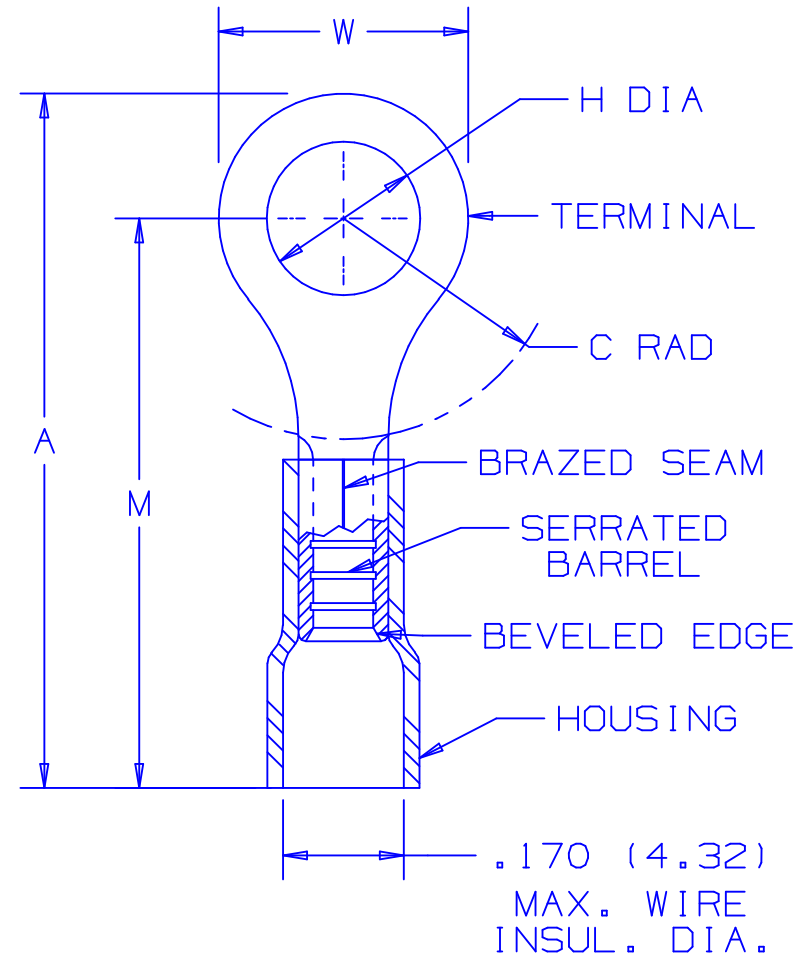


PANDUIT PART NUMBER		STUD SIZE	DIMENSIONS in.				
PREFIX	PK		A $\pm .03$	W $\pm .01$	C $\pm .02$	M $\pm .03$	H $\pm .01$
PV18-4RX	-C -M -MY	#4	.88 (22.35)	.25 (6.35)	.22 (5.59)	.76 (19.30)	.12 (3.05)
PV18-6RX	-C -M -MY	#6	.89 (22.61)	.25 (6.35)	.22 (5.59)	.76 (19.30)	.15 (3.81)
PV18-8RX	-C -M -MY	#8	.97 (24.64)	.31 (7.87)	.27 (6.86)	.81 (20.57)	.17 (4.32)
PV18-10RX	-C -M -MY	#10	.96 (24.38)	.31 (7.87)	.27 (6.86)	.80 (20.32)	.20 (5.08)
PV18-14RX	-C -M -MY	1/4"	1.17 (29.72)	.46 (11.68)	.40 (10.16)	.92 (23.37)	.27 (6.86)
PV18-56RX	-C -M	5/16"	1.17 (29.72)	.46 (11.68)	.40 (10.16)	.92 (23.37)	.33 (8.38)
PV18-38RX	-C -M	3/8"	1.25 (31.75)	.53 (13.46)	.45 (11.43)	.95 (24.13)	.40 (10.16)

NOTES:

- UL LISTED & CSA CERTIFIED FOR
 - 600 V. MAX. VOLTAGE RATING (1000 V. MAX. IN SIGNS, FIXTURES AND LUMINAIRES).
 - 22-16 AWG SOLID OR STRANDED COPPER WIRE & 221°F (105°C) MAX TEMP RATING, WITH THE CT-500, CT-550, CT-1550, CT-1551 INSTALLATION TOOLS.
 - 22-18 AWG SOLID OR STRANDED COPPER WIRE & 167°F (75°C) MAX TEMP RATING WITH THE CT-100 INSTALLATION TOOLS.
- MATERIAL:
 - STAMPING - .03" (0.76) THK COPPER, TIN PLATED
 - HOUSING - VINYL, RED
- STRIP LENGTH 5/16 ^{+1/32} -0
- PACKAGE QTY: STD. PKG. -C=100
BULK PKG. -M=1000, -MY=1000
- DIMENSIONS IN BRACKETS ARE IN MILLIMETERS



LISTED
587H
E52164



CERTIFIED
LR31212

A41269_05

05	5/05	JHNU		ADDED PAKCAGING CODE "MY" TO DRAWING.			
04	1/01	RM	SKB	FILESPEC WAS N41269AA_PCD_03	08937	JAC	CCH
03		JKD		ADDED CT-1550 & CT-1551 TOOLS	07634		
2	10/94	MS	RLS	UPDATED DIMENSIONS AND NOTES	02530	LCA	JM
1	7-88	DW		REDRAWN WITH REVISIONS			JRB

PANDUIT CORP.

TINLEY PARK, ILLINOIS

#22-18 BARREL VINYL INSULATED RING TONGUE, .170 (4.32) MAX WIRE INSUL. DIA.