

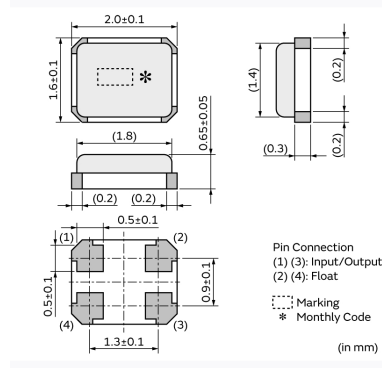
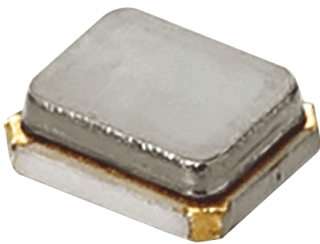
XRCGE48M000MXF1LR0



Applications

Unsuitable Applications	Please be sure to read and comply with these "Precautions for use."
Specific Applications	Automotive powertrain/safety equipment Please refer to Our Website and specifications, etc. for information about the performance, functions, quality, management, and safety required for the above applications, and use Products after confirming the performance and reliability of the actual Product.

Appearance & Shape



Packaging Information

Packaging	Specifications	Standard Packing Quantity
R0	180mm Plastic Tape	3000

Features

The crystal unit for automotive electronics that realized small package and highly accurate frequency. Based on Murata's excellent package technology and high grade quartz crystal elements, achieving small size and high accuracy unit.


Features

1. Total Frequency Tolerance ±40ppm
 2. The series has high reliability and is available for a wide temperature range(-40 to 125°C).
 3. The crystal unit is small size (2.0 x 1.6 x 0.7 (mm)), and contribute to reduction in mounting area.
 4. The series complies to RoHS and ELV directives, being lead-free (phase 3).
- The series complies to AEC-Q200.

Attention

1. This datasheet is downloaded from the website of Murata Manufacturing Co., Ltd. Therefore, its specifications are subject to change or our products in it may be discontinued without advance notice. Please check with our sales representatives or product engineers before ordering.
2. This datasheet has only typical specifications because there is no space for detailed specifications. Therefore, please review our product specifications or consult the approval sheet for product specifications before ordering.

XRCGE48M000MXF1LR0



Specifications

Product Type	Crystal Unit
Series	XRCGE
Type	HCR2016
Frequency	48.0000MHz
Frequency Tolerance	+/-40ppm max. (Total)
Total Frequency Tolerance	+/-40ppm max.
Operating Temperature Range	-40°C~125°C
Equivalent Series Resistance (ESR)	60ohm max.
Drive Level (DL)	300μW max.
Load Capacitance (Cs)	7pF
Shape	SMD
Wash	Not available
L x W (size)	2.0x1.6mm
Mass	6.9mg

Attention

- 1.This datasheet is downloaded from the website of Murata Manufacturing Co., Ltd. Therefore, it's specifications are subject to change or our products in it may be discontinued without advance notice. Please check with our sales representatives or product engineers before ordering.
- 2.This datasheet has only typical specifications because there is no space for detailed specifications.
Therefore, please review our product specifications or consult the approval sheet for product specifications before ordering.