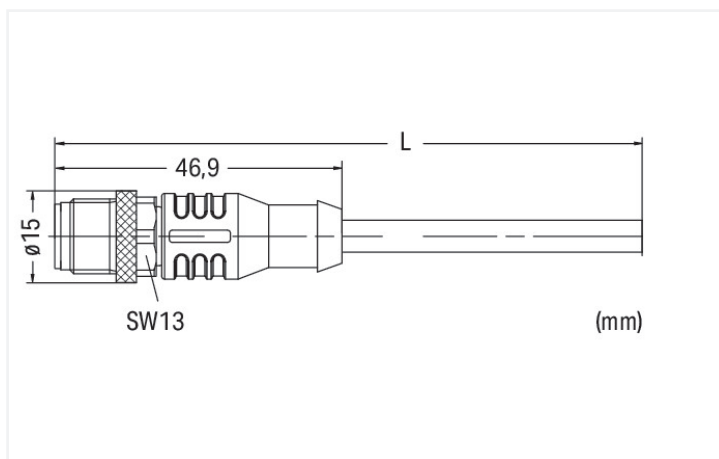
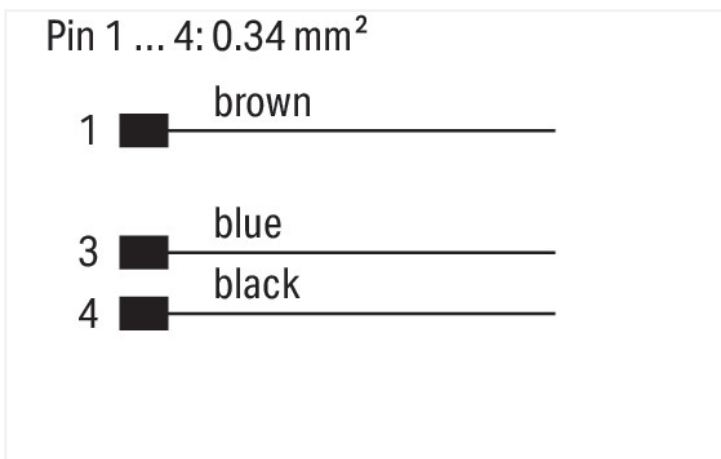


Similar to illustration



Dimensions in mm

**Short description:**

- PUR, halogen-free
- Suitable for drag chains
- High resistance to microbes, hydrolysis, oil, chemicals and UV radiation
- High chemical resistance
- Cable used: UL listed

**Technical data**

General information	
Operating voltage	250 VAC/DC
Operating current	4 A
Rated impulse withstand voltage	2.5 kV
Insulation resistance	>10 <sup>9</sup> Ω
Contact resistance	10 mΩ
Conductor resistance	≤ 60 Ω/km
Pollution degree	3 per VDE 0110
Protection type	IP67
Ambient (operating) temperature (static)	-50 ... +90 °C

General information	
Ambient (operating) temperature (dynamic)	-25 ... +90 °C

Drag chain compatible	
Bending radius	10 x cable diameter (min.)
Bending cycles	2 million
Acceleration (min.)	5 m/s <sup>2</sup>
Travel speed (max.)	3.33 m/s
Travel path (horizontal) max.	5 m
Travel path (vertical) max.	2 m
Torsional capacity	180 °/m

Cable	
Cable length	2 m
Type code	LiF9YH-11YH or LiF9YC11YFHF
Conductor configuration	Bare copper wire, fine-stranded (42 x 0.1 mm)
Conductor insulation	PP9Y (halogen-free)
Sheath material	Polyurethane (PUR), halogen-free per DIN VDE 0472 Part 815, flame resistant per IEC 332-2, self-extinguishing
Sheathed cable color	black

Connector	
Connection type	M12 plug - free end
Pole number	3
Cable connection direction to mating direction	0 °
Connector interface coding (cable/adaptor) 1 1	A-coded
Housing material	Polyurethane (PUR)
Contact material	CuSn
Tightening torque	1 Nm

Commercial data	
PU (SPU)	1 pcs
Packaging type	Box
Country of origin	HU
GTIN	4045454405830
Customs tariff number	85444290900

Product Classification	
UNSPSC	26121609
eCl@ss 10.0	27-06-03-11
eCl@ss 9.0	27-06-03-11
ETIM 9.0	EC001855
ETIM 10.0	EC001855
ECCN	NO US CLASSIFICATION

Environmental Product Compliance	
RoHS Compliance Status	Compliant,With Exemption
RoHS Exemption	6(c)
SCIP notification number (Austria)	07539909-d54d-49b3-9bca-5aba902ae71e
SCIP notification number (Belgium)	46efb589-7e9b-45a4-8456-fb80b43907d9
SCIP notification number (Bulgaria)	74ae997b-222e-4be6-8c93-ee1ddfcd9a54
SCIP notification number (Czech Republic)	cfaf2747-619d-49d8-be30-533bc1385a9e
SCIP notification number (Denmark)	0e6ea2b0-068d-415c-a2ce-7b8328f2b4e3
SCIP notification number (Finland)	80c2893f-93cf-4fc0-9c16-063ac9e706c3
SCIP notification number (France)	78d3aaff-0bfa-4ead-9de7-b404f6e1e80c
SCIP notification number (Germany)	7457c517-5139-4942-9ee1-6f57679b701b
SCIP notification number (Hungary)	865e487b-d4ba-43bf-bb26-139edceb7519
SCIP notification number (Italy)	a4eb34bb-e863-4595-bb91-6f3aa5545f1c
SCIP notification number (Netherlands)	9110d1cd-f9e7-42ca-a3e3-a135b1b69c02
SCIP notification number (Poland)	3998dc76-7ae8-495a-aeb3-6875bf82a8b6
SCIP notification number (Romania)	d9c14a13-3093-47c3-82ec-18c80f617d0b
SCIP notification number (Sweden)	1a24f2c5-887c-4dd3-af9a-a6260c3eaeef2

### Approvals / Certificates

#### General approvals



Approval	Standard	Certificate Name
UL Underwriters Laboratories Inc.	UL 2238	E519602

### Downloads

#### Environmental Product Compliance

##### Compliance Search

Environmental Product Compliance 756-5311/030-020	
---	--

### Documentation

#### System Description

IP67 Cables and Plug- gable Connectors	pdf 157.80 KB	
---	------------------	--

Subject to changes. Please also observe the further product documentation!

Current addresses can be found at: [www.wago.com](https://www.wago.com)