

4515DO-DS3BS002DP ✓ ACTIVE

MEAS | MEAS MS4515DO

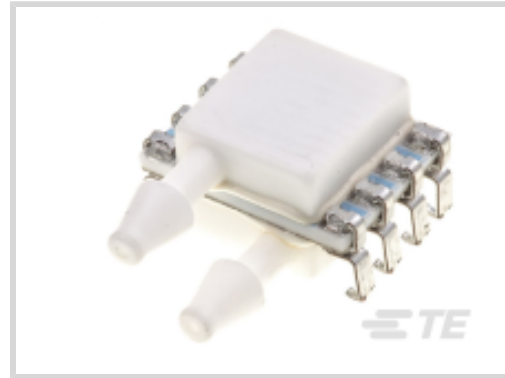
TE Internal #: 4515DO-DS3BS002DP

Digital Pressure and Altimeter Sensor Modules, Differential, 50.8 mmH2O [2 inH2O], 14 bit ADC, ±0.25% Span Pressure Accuracy, MEAS MS4515DO

[View on TE.com >](#)



Sensors > Pressure Sensors > Board Mount Pressure Sensors > PCB MOUNTED DIGITAL PRESSURE SENSOR



Pressure Sensor Type: **Digital Pressure and Altimeter Sensor Modules**

Pressure Type: **Differential**

Pressure: **50.8 mmH2O [2 inH2O]**

Proof Pressure Range: **300 psi**

Output Signal Type: **14 bit ADC**

[All PCB MOUNTED DIGITAL PRESSURE SENSOR \(104\)](#)

Features

Product Type Features

Leg Style	Through Hole
Pressure Sensor Type	Digital Pressure and Altimeter Sensor Modules
Pressure Type	Differential

Electrical Characteristics

Supply Current	3 mA
Supply Voltage Range	3.3 V

Dimensions

Product Width	17.4 mm[.685 in]
Product Length	12.7 mm[.5 in]
Product Height	7.2 mm[.283 in]

Usage Conditions

Operating Temperature Range	-10 – 85 °C[14 – 185 °F]
-----------------------------	--------------------------

Operation/Application

Output Interface	I ² C or SPI
Pressure	50.8 mmH2O[2 inH2O]



Proof Pressure Range	300 psi
Output Signal Type	14 bit ADC
Pressure Accuracy	±0.25% Span

Packaging Features

Sensor Port Configuration	Dual Sideport
---------------------------	---------------

Other

Sensor Options	No Option
----------------	-----------

Product Compliance

For compliance documentation, visit the product page on [TE.com](https://www.te.com)>

EU RoHS Directive 2011/65/EU	Compliant
EU ELV Directive 2000/53/EC	Out of Scope
China RoHS 2 Directive MIIT Order No 32, 2016	有害物质含量符合标准要求 No Restricted Substance(s) Above Threshold
EU REACH Regulation (EC) No. 1907/2006	Current ECHA Candidate List: JUNE 2025 (250) Candidate List Declared Against: JUNE 2025 (250) Does not contain REACH SVHC
Halogen Content	Not Yet Reviewed for halogen content
Solder Process Capability	Not reviewed for solder process capability

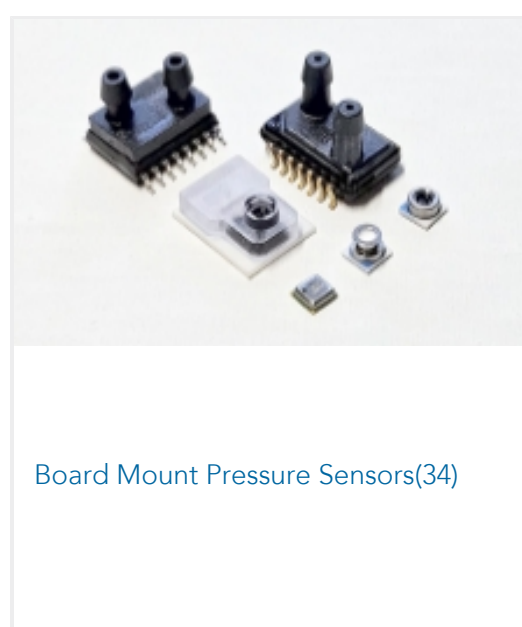
Product Compliance Disclaimer

This information is provided based on reasonable inquiry of our suppliers and represents our current actual knowledge based on the information they provided. This information is subject to change. The part numbers that TE has identified as EU RoHS compliant have a maximum concentration of 0.1% by weight in homogenous materials for lead, hexavalent chromium, mercury, PBB, PBDE, DBP, BBP, DEHP, DIBP, and 0.01% for cadmium, or qualify for an exemption to these limits as defined in the Annexes of Directive 2011/65/EU (RoHS2). Finished electrical and electronic equipment products will be CE marked as required by Directive 2011/65/EU. Components may not be CE marked. Additionally, the part numbers that TE has identified as EU ELV compliant have a maximum concentration of 0.1% by weight in homogenous materials for lead, hexavalent chromium, and mercury, and 0.01% for cadmium, or qualify for an exemption to these limits as defined in the Annexes of Directive 2000/53/EC (ELV). Regarding the REACH Regulation, the information TE provides on SVHC in articles for this part number is based on the latest European Chemicals Agency (ECHA) 'Guidance on requirements for substances in articles' posted at this URL: <https://echa.europa.eu/guidance-documents/guidance-on-reach>

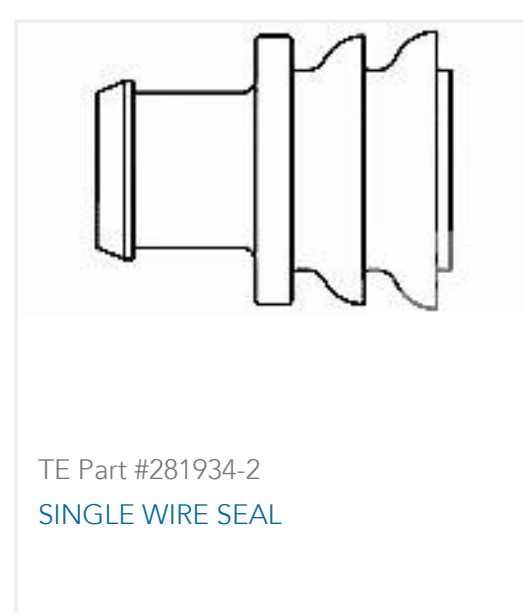
Compatible Parts



Also in the Series | MEAS MS4515DO



Customers Also Bought



Documents

CAD Files

Customer View Model

[ENG_CVM_CVM_4515DO-DS3BS002DP_D.3d_igs.zip](#)

English

Customer View Model

[ENG_CVM_CVM_4515DO-DS3BS002DP_D.3d_stp.zip](#)

English



Customer View Model

[ENG_CVM_CVM_4515DO-DS3BS002DP_D.2d_dxf.zip](#)

English

[3D PDF](#)

3D

By downloading the CAD file I accept and agree to the [Terms and Conditions](#) of use.

Datasheets & Catalog Pages

[Data sheet](#)

English