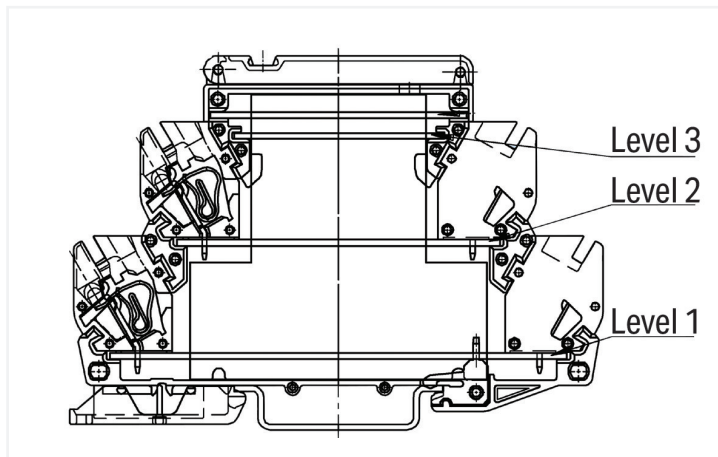
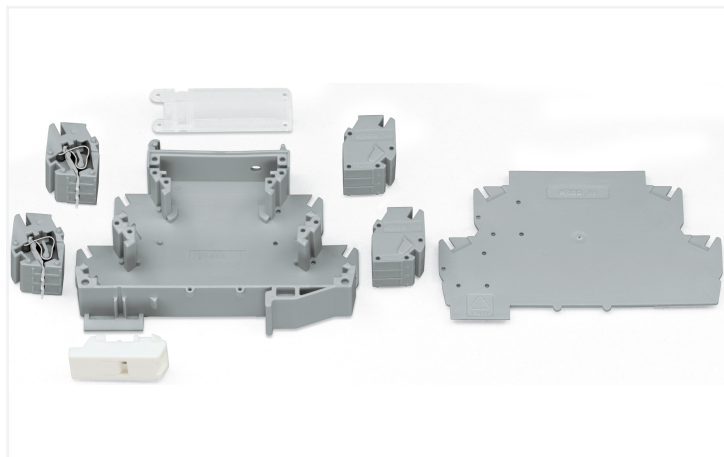


Data Sheet | Item Number: 789-134

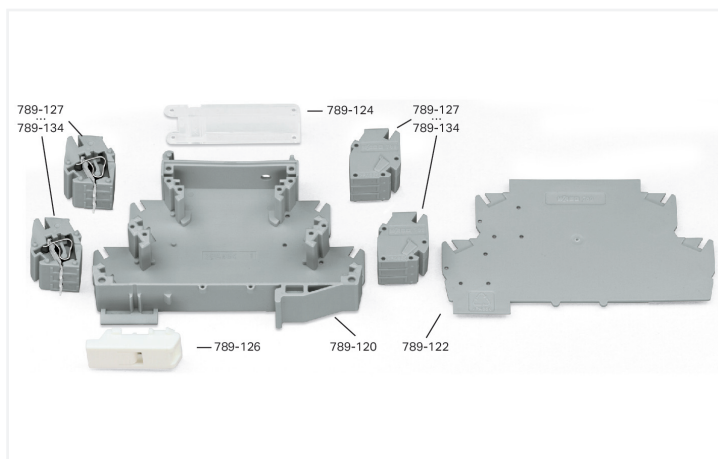
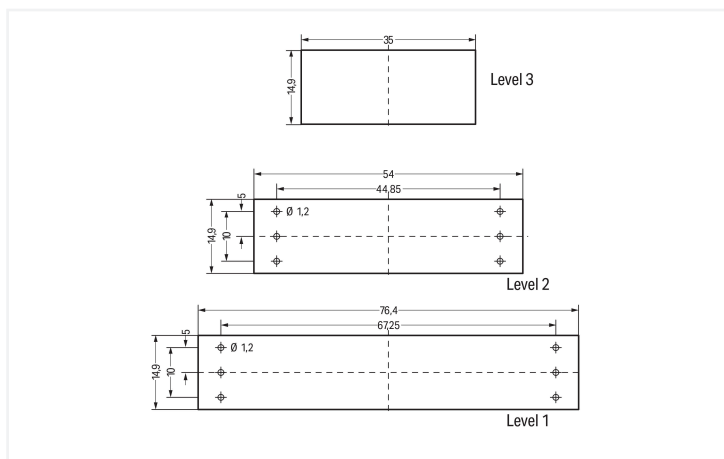
PCB terminal block; 2.5 mm²; Pin spacing 5 mm; 1-pole; CAGE CLAMP®; gray

<https://www.wago.com/789-134>



Color: ■ gray

Similar to illustration



PCB dimensions, vertical mounting: (PCB thickness max. 1.5 mm) in level 1; (PCB thickness max. 1 mm) in level 2 and 3

Universal modular component plug housing, as rail-mount terminal block – compact terminal block, 3-pole: COO*
 (*C = with clamping spring; O = without clamping spring; Housing open on the right side)

Connection Data

Pole number	3
Connections (number)	1

Mechanical data

Housing design	DIN-rail-mount enclosure
Suitable	for 789-120

Material data

Color	gray
-------	------

Commercial data

PU (SPU)	100 (1) pcs
Packaging type	Box
Country of origin	DE
GTIN	4044918611794
Customs tariff number	85369010000

Product Classification

UNSPSC	39121409
eCl@ss 10.0	27-18-27-02
eCl@ss 9.0	27-18-27-02
ETIM 9.0	EC001031
ETIM 10.0	EC001031
ECCN	NO US CLASSIFICATION

Environmental Product Compliance

RoHS Compliance Status	Compliant, No Exemption
------------------------	-------------------------

Downloads

Environmental Product Compliance

Compliance Search	
Environmental Product Compliance 789-134	↓

CAD/CAE-Data

CAD data		CAE data	
2D/3D Models 789-134	↓	WSCAD Universe 789-134	↓
		ZUKEN Portal 789-134	↓

1 Compatible Products

1.1 Optional Accessories

1.1.1 System enclosure

1.1.1.1 DIN-rail-mount enclosure



Item No.: 789-120

Housing 55 mm; gray