

# AI 6 -12 YE - Ferrule

3200548

<https://www.phoenixcontact.com/us/products/3200548>



Please be informed that the data shown in this PDF document is generated from our online catalog. Please find the complete data in the user documentation. Our general terms of use for downloads are valid.

Ferrule, sleeve length: 12 mm, color: yellow



## Your advantages

- The ferrules with plastic sleeve are made from soft tin-plated electrolytic copper
- The insulation reliability of close connections is increased and the splicing of wires is prevented

## Commercial data

Item number	3200548
Packing unit	100 pc
Minimum order quantity	100 pc
Sales key	BH34
Product key	BH3411
Catalog page	Page 481 (C-3-2019)
GTIN	4017918094157
Weight per piece (including packing)	0.397 g
Weight per piece (excluding packing)	0.396 g
Customs tariff number	85369010
Country of origin	DE

# AI 6 -12 YE - Ferrule

3200548

<https://www.phoenixcontact.com/us/products/3200548>



## Technical data

### Product properties

Product type	Cable end sleeve
Set comprises	1202072 CRIMPSET 6

### Data management status

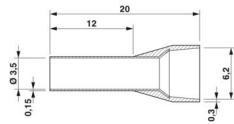
Article revision	06
------------------	----

### Connection data

#### Conductor connection

Conductor cross section flexible max.	6 mm <sup>2</sup>
Conductor cross section AWG max.	10
Stripping length	15 mm

### Dimensions

Dimensional drawing	
Sleeve length	12 mm
Maximum stripping length	15 mm
Ferrule diameter	3.5 mm
Sleeve wall thickness	0.2 mm
Insulating collar thickness	0.3 mm
Inner dimensions of the insulating collar	6.2 mm

### Material specifications

Color	yellow
Material	CU-DHP
Flammability rating according to UL 94	HB
Coating	tin-plated (galvanic)
Components	free from silicone and halogen

### Mechanical properties

#### Technical data

Sleeve length	12 mm
---------------	-------

### Environmental and real-life conditions

#### Ambient conditions

Permanent temperature	105 °C (-40 °C no load / 0 °C dynamic load)
Short-term temperature	120 °C

# AI 6 -12 YE - Ferrule

3200548

<https://www.phoenixcontact.com/us/products/3200548>



## Standards and regulations

Design according to standard

DIN 46228-4, UL 486F-E

# AI 6 -12 YE - Ferrule

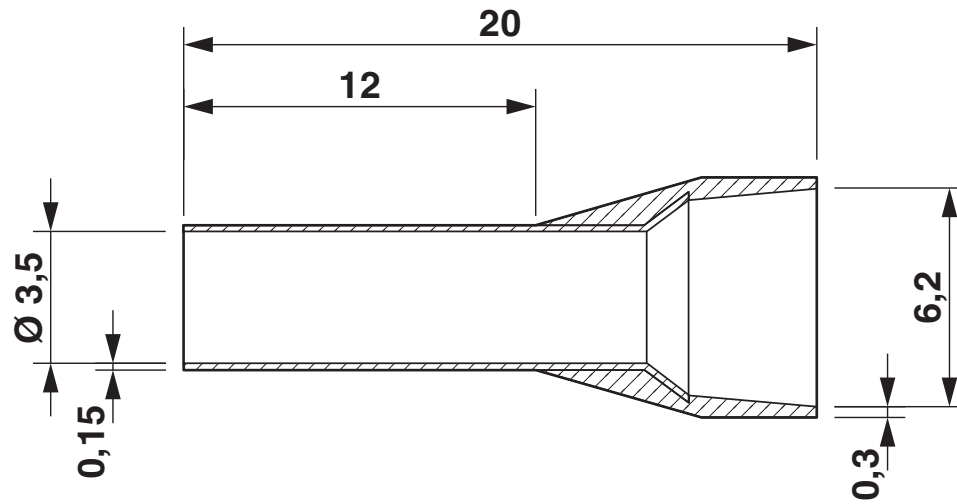
3200548

<https://www.phoenixcontact.com/us/products/3200548>



## Drawings

Dimensional drawing



# AI 6 -12 YE - Ferrule

3200548

<https://www.phoenixcontact.com/us/products/3200548>



## Approvals

To download certificates, visit the product detail page: <https://www.phoenixcontact.com/us/products/3200548>



**UL Listed**

Approval ID: E488001



**cUL Listed**

Approval ID: E488001



**cULus Listed**

Approval ID: E488001

**cULus Listed**

# AI 6 -12 YE - Ferrule

3200548

<https://www.phoenixcontact.com/us/products/3200548>



## Classifications

### ECLASS

ECLASS-11.0	27400201
ECLASS-13.0	27400201
ECLASS-12.0	27400201

### ETIM

ETIM 9.0	EC000005
----------	----------

### UNSPSC

UNSPSC 21.0	27121700
-------------	----------

# AI 6 -12 YE - Ferrule

3200548

<https://www.phoenixcontact.com/us/products/3200548>



## Environmental product compliance

### EU RoHS

Fulfills EU RoHS substance requirements	Yes, No exemptions
---	--------------------

### China RoHS

Environment friendly use period (EFUP)	EFUP-E
	No hazardous substances above the limits

### EU REACH SVHC

REACH candidate substance (CAS No.)	No substance above 0.1 wt%
-------------------------------------	----------------------------

# AI 6 -12 YE - Ferrule

3200548

<https://www.phoenixcontact.com/us/products/3200548>



## Accessories

### CRIMPFOX CENTRUS 6S - Crimping pliers

1213144

<https://www.phoenixcontact.com/us/products/1213144>



Crimping pliers, for uninsulated and insulated ferrules, DIN 46228 Part 1 and 4, from 0.14 mm<sup>2</sup> ... 6 mm<sup>2</sup>, also for TWIN ferrules up to 2 x 4 mm<sup>2</sup>, automatic cross section adjustment, lateral insertion, equipped with fall protection

---

### CRIMPFOX CENTRUS 6H - Crimping pliers

1213146

<https://www.phoenixcontact.com/us/products/1213146>



Crimping pliers, for uninsulated and insulated ferrules, DIN 46228 Part 1 and 4, from 0.14 mm<sup>2</sup> ... 6 mm<sup>2</sup>, also for TWIN ferrules up to 2 x 4 mm<sup>2</sup>, automatic cross section adjustment, lateral insertion, equipped with fall protection

# AI 6 -12 YE - Ferrule

3200548

<https://www.phoenixcontact.com/us/products/3200548>



## CRIMPFOX CENTRUS 10S - Crimping pliers

1213154

<https://www.phoenixcontact.com/us/products/1213154>



Crimping pliers, for uninsulated and insulated ferrules, DIN 46228 Part 1 and 4, from 0.14 mm<sup>2</sup> ... 10 mm<sup>2</sup>, also for TWIN ferrules up to 2 x 4 mm<sup>2</sup>, automatic cross section adjustment, lateral insertion, equipped with fall protection

---

## CRIMPFOX CENTRUS 10H - Crimping pliers

1213156

<https://www.phoenixcontact.com/us/products/1213156>



Crimping pliers, for uninsulated and insulated ferrules, DIN 46228 Part 1 and 4, from 0.14 mm<sup>2</sup> ... 10 mm<sup>2</sup>, also for TWIN ferrules up to 2 x 4 mm<sup>2</sup>, automatic cross section adjustment, lateral insertion, equipped with fall protection

# AI 6 -12 YE - Ferrule

3200548

<https://www.phoenixcontact.com/us/products/3200548>



## CRIMPFOX 6-M - Crimping pliers

1212720

<https://www.phoenixcontact.com/us/products/1212720>



Crimping pliers, for ferrules without insulating collar according to DIN 46228 Part 1 and ferrules with insulating collar according to DIN 46228 Part 4, 0.25 mm<sup>2</sup> ... 6.0 mm<sup>2</sup>, lateral entry, trapezoidal crimp

---

## CRIMPFOX 6 - Crimping pliers

1212034

<https://www.phoenixcontact.com/us/products/1212034>



Crimping pliers, for ferrules without insulating collar according to DIN 46228 Part 1 and ferrules with insulating collar according to DIN 46228 Part 4, 0.25 mm<sup>2</sup> ... 6.0 mm<sup>2</sup>, lateral entry, trapezoidal crimp

# AI 6 -12 YE - Ferrule

3200548

<https://www.phoenixcontact.com/us/products/3200548>



## CRIMPFOX DUO 10 - Crimping pliers

1031721

<https://www.phoenixcontact.com/us/products/1031721>



Crimping pliers, contact connection type: Insulated and uninsulated ferrules, standards/specifications: DIN 46228-1, DIN 46228-4, UL 486F, form A, E, F, min. cross section: 0.14 mm<sup>2</sup>, max. cross section: 10 mm<sup>2</sup>, for TWIN ferrules up to 2 x 4 mm<sup>2</sup>, automatic cross section adjustment, rotating die, lateral and frontal insertion, compression: Trapezoidal crimp, black/green

---

## CRIMPFOX 10T-F - Crimping pliers

1134913

<https://www.phoenixcontact.com/us/products/1134913>



Crimping pliers, contact connection type: Insulated and uninsulated ferrules, standards/specifications: DIN 46228-1, DIN 46228-4, min. cross section: 0.14 mm<sup>2</sup>, max. cross section: 10 mm<sup>2</sup>, For TWIN ferrules up to 2 x 4 mm<sup>2</sup>, automatic cross section adjustment, frontal insertion, compression: Trapezoidal crimp, black

# AI 6 -12 YE - Ferrule

3200548

<https://www.phoenixcontact.com/us/products/3200548>



## CRIMPFOX DUO 16S - Crimping pliers

1202877

<https://www.phoenixcontact.com/us/products/1202877>



Crimping pliers, contact type: insulated and uninsulated ferrules, standards/regulations: DIN 46228-1, DIN 46228-4, UL 486F, Form A, E, F, cross-section, minimum: 0.14 mm<sup>2</sup>, cross-section, maximum: 16 mm<sup>2</sup>, for TWIN ferrules up to 2 mm<sup>2</sup> x 6 mm<sup>2</sup>, automatic cross-section adjustment, rotating dies, lateral and front entry, crimping: square

---

Phoenix Contact 2024 © - all rights reserved

<https://www.phoenixcontact.com>

Phoenix Contact USA  
586 Fulling Mill Road  
Middletown, PA 17057, United States  
(+717) 944-1300  
[info@phoenixcon.com](mailto:info@phoenixcon.com)