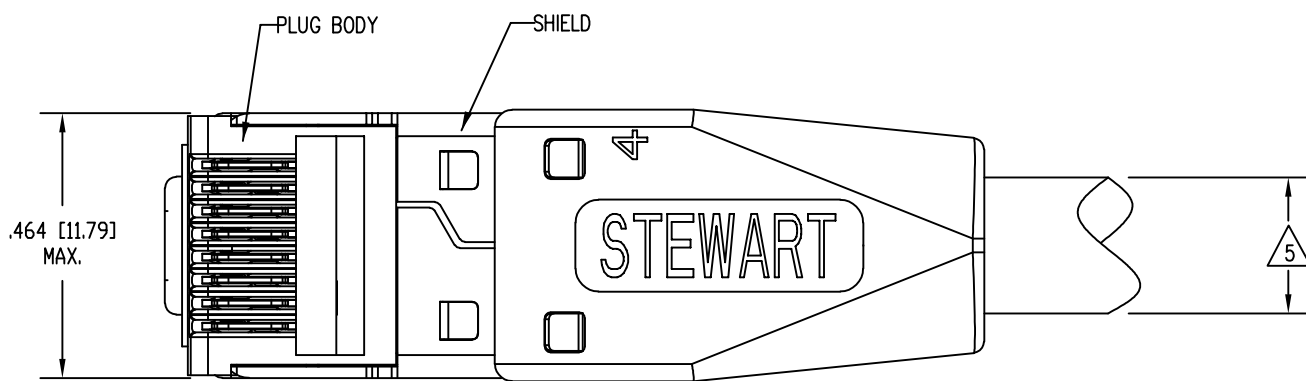
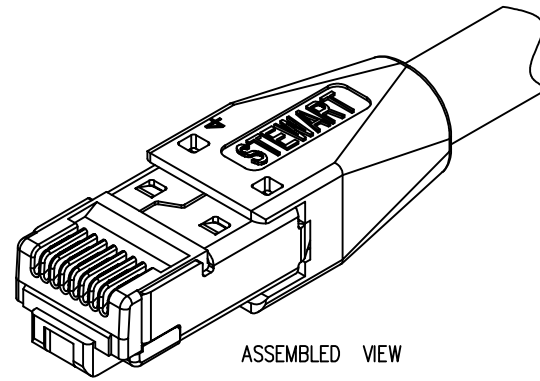


DATE	REV	ECN	APP'D. BY
2-14-19	A0	-	BTS

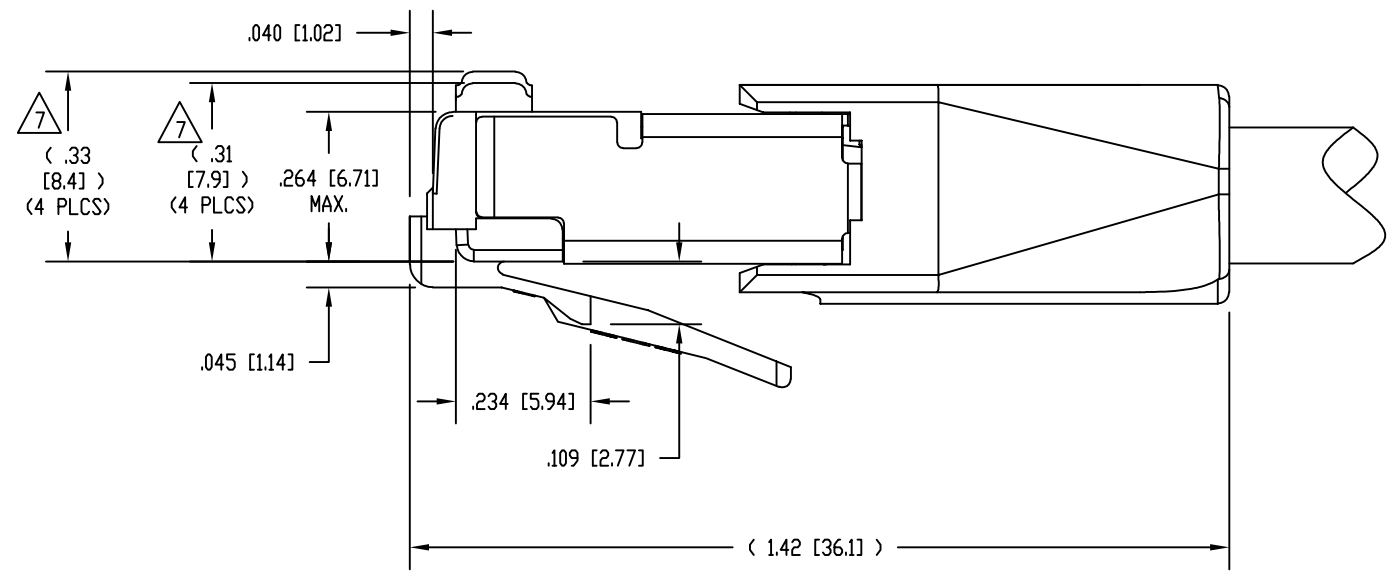
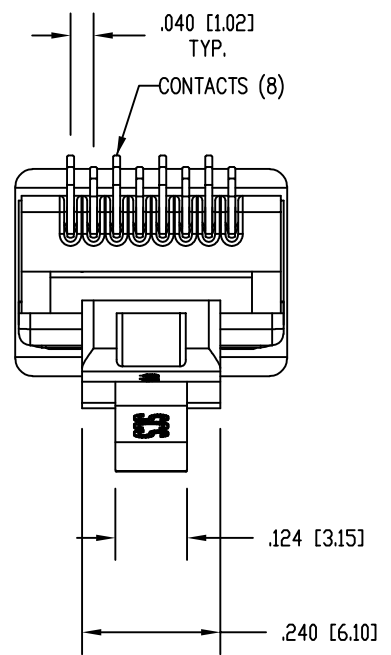


NOTES:

- PLUG KIT CONSISTS OF:
PRE-INSERTED PLUG BODY WITH SHIELD
LOAD BAR
BOOT
- MATERIALS:
PLUG BODY AND LOAD BAR: CLEAR POLYCARBONATE, UL 94-V0
BOOT: BLACK POLYCARBONATE, UL 94-V0
CONTACTS: COPPER ALLOY, SELECTIVE GOLD PLATING
SHIELD: COPPER ALLOY, NICKEL PLATE
- FOR PRODUCT SPECIFICATION SEE PR026-01.
- CONTACTS TERMINATE SOLID OR STRANDED CONDUCTORS BETWEEN .056 [1.42] TO .062 [1.57] OUTSIDE DIAMETER OF INSULATION.
- CABLES WITH OUTSIDE NOMINAL DIAMETERS OF .270 [6.86] TO .295 [7.49].
- DIMENSIONS AND TOLERANCES COMPLY WITH TIA-1096 STANDARD FORMERLY FCC/CFR 47, PART 68.
- CONTACT HEIGHT BEFORE TERMINATION.
AFTER TERMINATION, THE CONTACT HEIGHT IS .237 [6.02] ±.005 [0.13].
- PRODUCT DESIGNED FOR CATEGORY 6 AND 6A APPLICATIONS.
- PLUG KIT CONSISTS OF 1 EACH SHIELDED PLUG BODY, LOAD BAR, WIRE ALIGNER, AND BOOT, PACKED IN ZIPPER BAG.

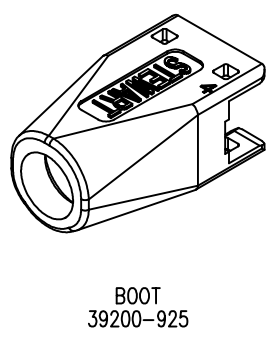
B

B

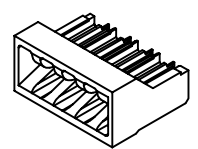


A

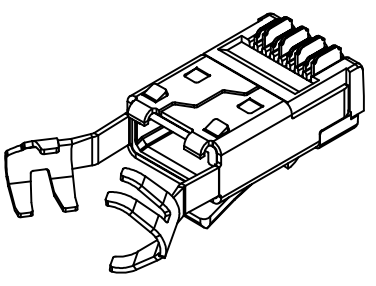
A



BOOT
39200-925



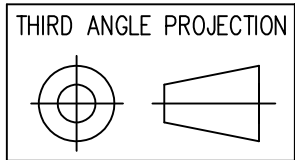
LOAD BAR
39200-933



PRE-INSERTED PLUG
BODY WITH SHIELD
39200-321



BULK	50 MICRO-INCHES [1.27um]	SS-39200-091
BAGGED	50 MICRO-INCHES [1.27um]	SS-39200-090
PACKAGING	CONTACT PLATING IN MATING AREA	PART NUMBER



1118 Susquehanna Trail South
Glen Rock, PA 17327-9199
(717) 235-7512
<http://www.stewartconnector.com>

DO NOT SCALE DRAWING DRAWING IS SUBJECT TO CHANGE WITHOUT NOTICE	TITLE: 8 CONDUCTOR, 8 POSITION SHIELDED PLUG, WITH LOAD BAR, .062 MAX DIA WIRE, .295 MAX CABLE	DRN BY: BTS	DATE 02-12-19
DIMENSIONS: INCHES [METRIC]	THIS DRAWING AND THE SUBJECT MATTER SHOWN THEREON ARE CONFIDENTIAL AND THE PROPRIETARY PROPERTY OF STEWART CONNECTOR AND SHALL NOT BE REPRODUCED, COPIED, OR USED IN ANY MANNER WITHOUT PRIOR WRITTEN CONSENT OF STEWART CONNECTOR. THIS PRODUCT MAY BE PROTECTED BY ONE OR MORE OF THE FOLLOWING US PATENTS: 5628647 6402559 6409535 6524128 7753717 8033863 OTHER PATENTS MAY BE PENDING.	APPD BY: JME	DATE 02-14-19
UNLESS OTHERWISE SPECIFIED TOLERANCES ARE ±.005 [0.13] ANGLES ARE ± 1°		SHEET NO. 1 OF 1	DWG NO. CT390215