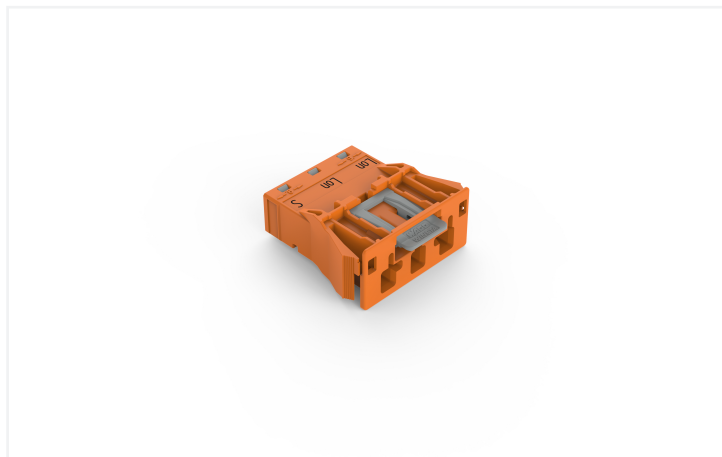
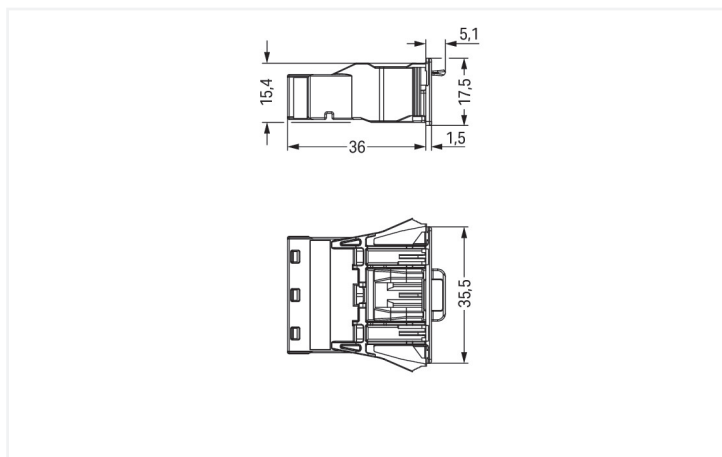
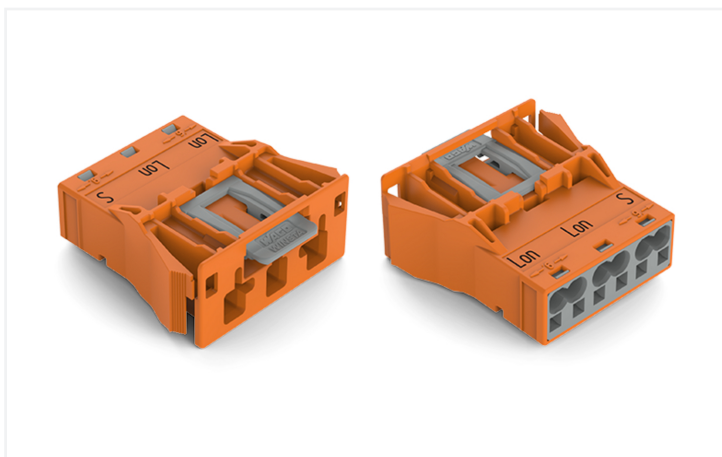


Data Sheet | Item Number: 770-2353  
Snap-in plug; 3-pole; Cod. R; 4,00 mm<sup>2</sup>; orange

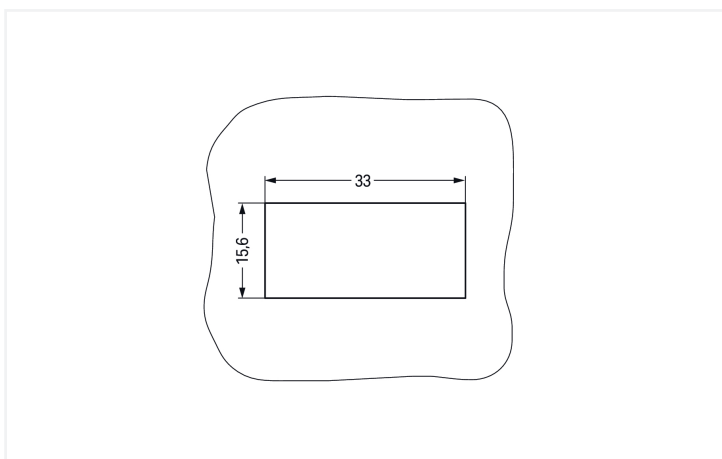
<https://www.wago.com/770-2353>



Color: ■ orange



Dimensions in mm



Dimensions in mm

Plate thickness: 0.5 ... 2 mm Cutout tolerance: + 0.1 mm Please note!

Male connector/plug *WINSTA*® MIDI with protection against mismatching

For power and signal transmission: The *WINSTA*® MIDI male connector/plug rated current 25 A. On PCBs, in control cabinets or for connecting lights – pluggable installation connectors from WAGO allow you to establish connections according to an enormous variety of requirements in no time flat. The



color coding and mechanical coding of the pluggable installation connector ensure error-free installation of the individual components – including protection against mismatching. The pluggable installation connector offers touch-proof protection with live components in accordance with protection type IP20 (When mated: IP2xC (These compact connectors are not designed for use in open, easily accessible areas!)). This pluggable installation connector can be employed for a load of up to 25 A. Therefore, it can also be used for high power loads. Our WINSTA® MIDI product line achieves total flexibility for the electrical installation. With its Push-in CAGE CLAMP® spring pressure connection technology, it achieves time-saving, error-free installation and offers customization and flexibility for meeting various installation requirements.

WINSTA® MIDI solutions for your electrical installation – protected against mismatching and maintenance-free

WINSTA® is the pluggable connection system that is optimally tailored to the strict requirements of electrical installation. It allows fast, secure and, above all, error-free installation of components and cables. Enjoy the benefits of the pluggable version of our maintenance-free spring pressure connection technology too! Plan your installation with with protection against mismatching from WAGO.

- protection against mismatching eliminates errors
- pre-assembled versions
- ready for immediate use
- convenient installation and commissioning

**Notes**

|                            |  |
|----------------------------|--|
| General safety information | <ol style="list-style-type: none"> <li>1. Only to be used by a qualified electrician or by a person electrically instructed for the task (EIP per DIN VDE 0105-100).</li> <li>2. Do not install while energized or under load.</li> <li>3. Use only for its intended purpose.</li> <li>4. Observe applicable national regulations, standards and directives.</li> <li>5. Observe the technical specifications of the products.</li> <li>6. Ensure correct polarity assignment.</li> <li>7. Do not use damaged or contaminated components.</li> <li>8. Observe conductor types, conductor cross-sections, strip lengths and cable diameters.</li> <li>9. Insert conductors up to the stop.</li> <li>10. Use only with locking lever and strain relief.</li> <li>11. Use original accessories only.</li> </ol> <p><b>To be sold only with installation instructions!</b></p> |
|----------------------------|--|

Note  
 The snap-in connectors must be relieved of tensile and transverse forces. A surface finish can influence the edge radius of the cutouts. This may affect the snap-in socket fit, so ensure an adequate fit before use. In addition, the punched edge should be on the inside for punched cutouts. The wings of the snap-in connectors must not be mechanically stressed for a long period before use (e.g., due to a pre-locking position).

**Electrical data**

| Ratings per                     | IEC/EN 60664-1 |     |    | Approvals per | UL 1977 |
|---------------------------------|----------------|-----|----|---------------|---------|
| Overvoltage category            | III            | III | II | Rated voltage | 600 V   |
| Pollution degree                | 3              | 2   | 2  | Rated current | 23 A    |
| Nominal voltage                 | 250 V          | -   | -  |               |         |
| Rated impulse withstand voltage | 4 kV           | -   | -  |               |         |
| Rated current                   | 25 A           | -   | -  |               |         |

**General information**

|                            |  |
|----------------------------|--|
| Note on contact resistance | approx. 1 mΩ of contact resistance<br>approx. 0.25 mΩ contact transition plug/socket |
|----------------------------|--|

**Connection Data**

|                            |   |                                      |                               |
|----------------------------|---|--------------------------------------|-------------------------------|
| Clamping units             | 6 | <b>Connection 1</b>                  |                               |
| Total number of potentials | 3 | Connection technology                | Push-in CAGE CLAMP®           |
|                            |   | Actuation type                       | Operating tool<br>Push-in     |
|                            |   | Nominal cross-section                | 4 mm² / 12 AWG                |
|                            |   | Solid conductor                      | 0.5 ... 4 mm² / 20 ... 12 AWG |
|                            |   | Solid conductor; push-in termination | 1.5 ... 4 mm² / 16 ... 12 AWG |

### Connection 1

|  |  |
|--|--|
| Stranded conductor   | 0.5 ... 2.5 mm <sup>2</sup> / 20 ... 14 AWG  |
| Fine-stranded conductor                                    | 0.5 ... 4 mm <sup>2</sup> / 20 ... 12 AWG    |
| Fine-stranded conductor; with insulated ferrule            | 0.25 ... 1.5 mm <sup>2</sup> / 20 ... 16 AWG |
| Fine-stranded conductor; with uninsulated ferrule          | 0.25 ... 2.5 mm <sup>2</sup> / 20 ... 14 AWG |
| Fine-stranded conductor; with ferrule; push-in termination | 1.5 mm <sup>2</sup> / 16 AWG                 |
| Strip length   | 9 mm / 0.35 inches                           |
| Pole number  | 3  |
| Conductor entry direction to mating direction              | 0 °  |

### Physical data

|             |                        |
|-------------|------------------------|
| Pin spacing | 10 mm / 0.394 inches   |
| Width       | 35.5 mm / 1.398 inches |
| Height      | 17.5 mm / 0.689 inches |
| Depth       | 41.1 mm / 1.618 inches |

### Mechanical data

|   |   |
|---|---|
| Use                                     | LON bus   |
| Coding                                  | R   |
| Variable coding                         | No  |
| Marking                                 | S LON LON   |
| Potential marking                       | S LON LON   |
| Mating force of a plug-in connection    | approx. 20 ... 70 N (depending on pole number)  |
| Retention force of a plug-in connection | Locked: > 80 N  |
| Unmating force of a plug-in connection  | Unlocked: approx. 20 ... 70 N (depending on pole number)  |
| Number of mating cycles                 | 200, without resistive load   |
| Housing sheet thickness                 | 0.5 ... 2 mm / 0.02 ... 0.079 inches  |
| Mounting type                           | Snap-in flange  |
| Protection type                         | IP20; When mated: IP2xC (These compact connectors are not designed for use in open, easily accessible areas!) |
| Suitable for through-panel applications | Yes   |

### Plug-in connection

|                                    |  |
|------------------------------------|--|
| Contact type (pluggable connector) | Male connector/plug  |
| Connector (connection type)        | for conductor  |
| Mismating protection               | Yes  |
| Note on mismating protection       | All <i>WINSTA</i> ® components are 100% protected against mismating when:<br>a.) plugging different numbers of poles<br>b.) plugging while rotated 180<br>c.) plugging while laterally staggered<br>d.) plugging one pole  |
| Locking lever                      | Yes  |
| Locking of plug-in connection      | Locking lever  |
| Note on locking system             | All connectors for mounted installations (snap-in versions for lighting fixtures or devices, all types of PCB and distribution connectors) are factory-equipped with locking levers to ensure plugs and sockets are securely locked. Additional locking levers are only required for flying leads (plug/socket). |

### Material data

|                                    |  |
|------------------------------------|--|
| Note (material data)               | <a href="#">Information on material specifications can be found here</a> |
| Color                              | orange   |
| Insulation material (main housing) | Polyamide (PA66)   |
| Flammability class per UL94        | V0   |
| Clamping spring material           | Chrome-nickel spring steel (CrNi)  |
| Contact material                   | Copper or copper alloy; surface-treated                                  |
| Contact Plating                    | Tin  |
| Fire load                          | 0.231 MJ   |
| Weight                             | 12 g   |

### Environmental requirements

|  |  |
|--|--|
| Processing temperature                   | -5 ... +40 °C                              |
| Continuous operating temperature         | -35 ... +85 °C                             |
| Note on continuous operating temperature | Insulating parts for temperatures ≤ 105 °C |

### Commercial data

|                       |               |
|-----------------------|---------------|
| Product Group         | 20 (Winsta)   |
| PU (SPU)              | 100 pcs       |
| Packaging type        | Box           |
| Country of origin     | PL            |
| GTIN                  | 4044918254069 |
| Customs tariff number | 85366990990   |

### Product Classification

|             |                      |
|-------------|----------------------|
| UNSPSC      | 39121421             |
| eCl@ss 10.0 | 27-44-06-02          |
| eCl@ss 9.0  | 27-44-06-02          |
| ETIM 9.0    | EC002566             |
| ETIM 10.0   | EC002566             |
| ECCN        | NO US CLASSIFICATION |

### Environmental Product Compliance

|                        |                         |
|------------------------|-------------------------|
| RoHS Compliance Status | Compliant, No Exemption |
|------------------------|-------------------------|

### Approvals / Certificates

#### Declarations of conformity and manufacturer's declarations

| Approval   | Standard | Certificate Name |
|--|----------|------------------|
| EU-Declaration of Conformity<br>WAGO GmbH & Co. KG | -        | -                |

**Downloads**

**Environmental Product Compliance**

**Compliance Search**

Environmental Product Compliance 770-2353



**Documentation**

**Bid Text**

|          |            |                 |  |
|----------|------------|-----------------|--|
| 770-2353 | 19.02.2019 | xml<br>2.89 KB  |  |
| 770-2353 | 08.06.2015 | doc<br>23.00 KB |  |

**CAD/CAE-Data**

**CAD data**

2D/3D Models  
770-2353



**CAE data**

EPLAN Data Portal  
770-2353



WSCAD Universe  
770-2353



**1 Compatible Products**

**1.1 System counterpart**

**1.1.1 Female connector/socket**



**Item No.: 770-1343**

Socket; 3-pole; Cod. R; orange

**1.2 Optional Accessories**

**1.2.1 Coding**

**1.2.1.1 Coding**



**Item No.: 770-401**

Coding pin; for plugs; Plastic; gray

## 1.2.2 Cover

### 1.2.2.1 Cover



**Item No.: 770-643**

Lockout cap; 3-pole; for cutouts; Plastic; black



**Item No.: 770-693**

Lockout cap; 3-pole; for cutouts; Plastic; white



**Item No.: 770-360**

Lockout cap; for plugs; 5-pole; separable; yellow

## 1.2.3 Tool

### 1.2.3.1 Operating tool



**Item No.: 770-383**

Operating tool; 3-way; green



**Item No.: 210-719**

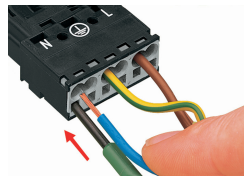
Operating tool; Blade: 2.5 x 0.4 mm; with a partially insulated shaft

## Installation Notes

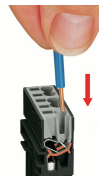
### Conductor termination



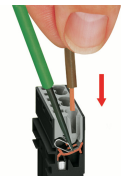
1. Strip length, outer insulation = 35 mm (2-pole), 55 mm (3- to 5-pole)
2. Strip length = 9 mm
3. Extended ground conductor = 8 mm



To terminate fine-stranded conductors, open the clamping unit via screwdriver (2.5 mm blade width) and insert a stripped conductor until it hits the backstop.

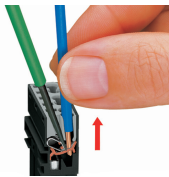


Insert the stripped solid conductor until it hits the backstop.



To terminate fine-stranded conductors, open the clamping unit via screwdriver (2.5 mm blade width) and insert a stripped conductor until it hits the backstop.

### Conductor removal



To remove the conductor, actuate the clamp via screwdriver (2.5 mm blade width) and pull out the conductor.



Seal unused cutout with lockout cap.