

**Product:** [CA 3 GD](#)

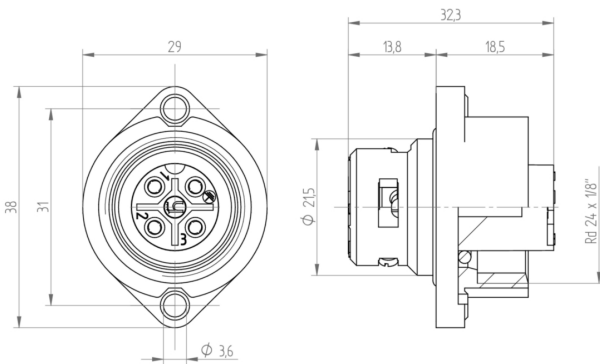


CA - Female 0° | #Contacts: 4 | 400 V | cURus

### Product Description

CA - Receptacle Female Straight Connector | #Contacts: 4 (3+PE) | 400 V / 16 A | cURus

### Technical Drawing



### Technical Specifications

#### Technical Data

Product Family:	Power Connector
Side 1 Product Sub Family:	CA (4, 6 contacts)
Brand:	Hirschmann
Connector Type:	Receptacle
Connector Sub Type:	CA Power Series
Side 1 Type of Contact/Gender:	Socket Contacts / Female
Connector Design:	CA   Female   4 Pole   Front mount with flange
Number of Pins:	4(3+PE)
Shielding Type:	Unshielded
Attachment Type:	Female Thread (coupling nut)
Voltage Rating:	250 V DC / 400 V AC
Rated Impulse Voltage:	6.0 kV
Operating Voltage:	230 V DC, 400V AC
Current Rating:	10 A DC, 16 A AC (1.5 mm <sup>2</sup> )
Side 1 Contact Resistance:	≤ 10 mOhm
Type of Connection:	Screw terminal
Cross Section:	0.5 mm <sup>2</sup> to 2.5 mm <sup>2</sup> (20 AWG to 14 AWG)
Ambient Temperature (Operation)*:	- 40 °C to + 90 °C

Temperature Range (Gasket):	- 40 °C to + 90 °C
Protection Degree / IP Rating**:	IP65; IP67
Side 1 Design Standard:	DIN EN 61984 (VDE 0627)
Side 1 Pollution Degree:	3 acc. to DIN EN 60664-1 (VDE 0110-1)
Clearance / Creepage Distance:	DIN EN 60664-1 (2008/01); VDE 0110-1

## Materials

Contact Base Material:	Brass (CuZn)
Side 1 Contact Plating:	Copper-Silver Alloy (Cu/Ag)
Contact Bearer Material:	Nylon 66 (PA 66 GF)
Contact Bearer Color:	Black
Flammability Class (Contact Bearer):	UL 94 V-0
Flammability Class (Housing):	UL 94 V-0
Gasket Material:	Nitrile Butadiene Rubber (NBR)

## Additional Technical Data

Fastening Torque (Contact Screw):	M3: (25-30) Ncm
Fastening Torque (Attachment):	M 3: (50-60) Ncm, not part of delivery
Mount Type:	M3 (2x), not part of delivery
Mating Connectors / Fitting to:	934-124-100 CA 3 LS, straight 934-128-100 CA 3 W LS, angled
Accessories to Order Separately:	Dust Cap; 831 532 400

## Approvals

UL-File:	E95522
UL:	cURus
VDE:	VDE-Reg.-Nr. 2745

## Resistances

Oil Resistance:	Yes
-----------------	-----

## Notes

Note Derating:	* Notice derating
Protection Degree / IP Rating Note:	IP Rating tested according to IEC standard using combination of a Hirschmann or Lumberg Automation connector mounted and locked
Note:	Do not connect or disconnect under load. Connectors are packaged in airtight bags and placed in sulfur free cartons to protect contacts against silver sulfide. Once packaging is opened, customer is responsible for correctly storing connectors to prevent tarnishing against environmental elements while in storage.

## Variants

Item #	Item Description	Housing Color
932321100	CA 3 GD	black
932321102	delCA 3 GD blau/blue	black / blue
932321101	delCA 3 GD rot/red	black / red
932321107	delCA 3 GD weiss/white	black / white

© 2026 Belden, Inc

All Rights Reserved.

Although Belden makes every reasonable effort to ensure their accuracy at the time of this publication, information and specifications described here in are subject to error or omission and to change without notice, and the listing of such information and specifications does not ensure product availability.

Belden provides the information and specifications herein on an "ASIS" basis, with no representations or warranties, whether express, statutory or implied. In no event will Belden be liable for any damages (including consequential, indirect, incidental, special, punitive, or exemplary damages) whatsoever, even if Belden has been advised of the possibility of such damages, whether in an action under contract, negligence or any other theory, arising out of or in connection with the use, or inability to use, the information or specifications described herein.

All sales of Belden products are subject to Belden's standard terms and conditions of sale.

Belden believes this product to be in compliance with all applicable environmental programs as listed in the data sheet. The information provided is correct to the best of Belden's knowledge, information and belief at the date of its publication. This information is designed only as a general guide for the safe handling, storage, and any other operation of the product itself or the one that it becomes a part of. The Product Disclosure is not to be considered a warranty or quality specification. Regulatory information is for guidance purposes only. Product users are responsible for determining the applicability of legislation and regulations based on their individual usage of the product.