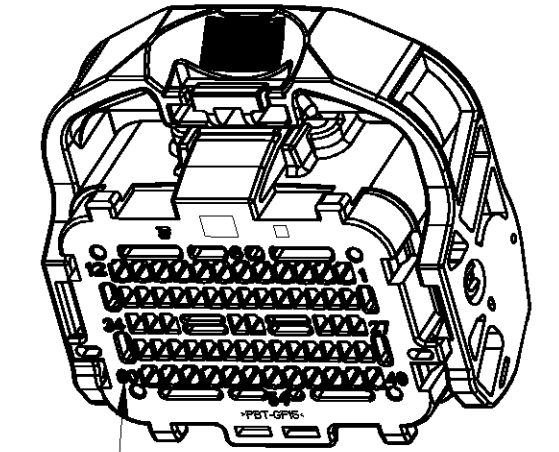
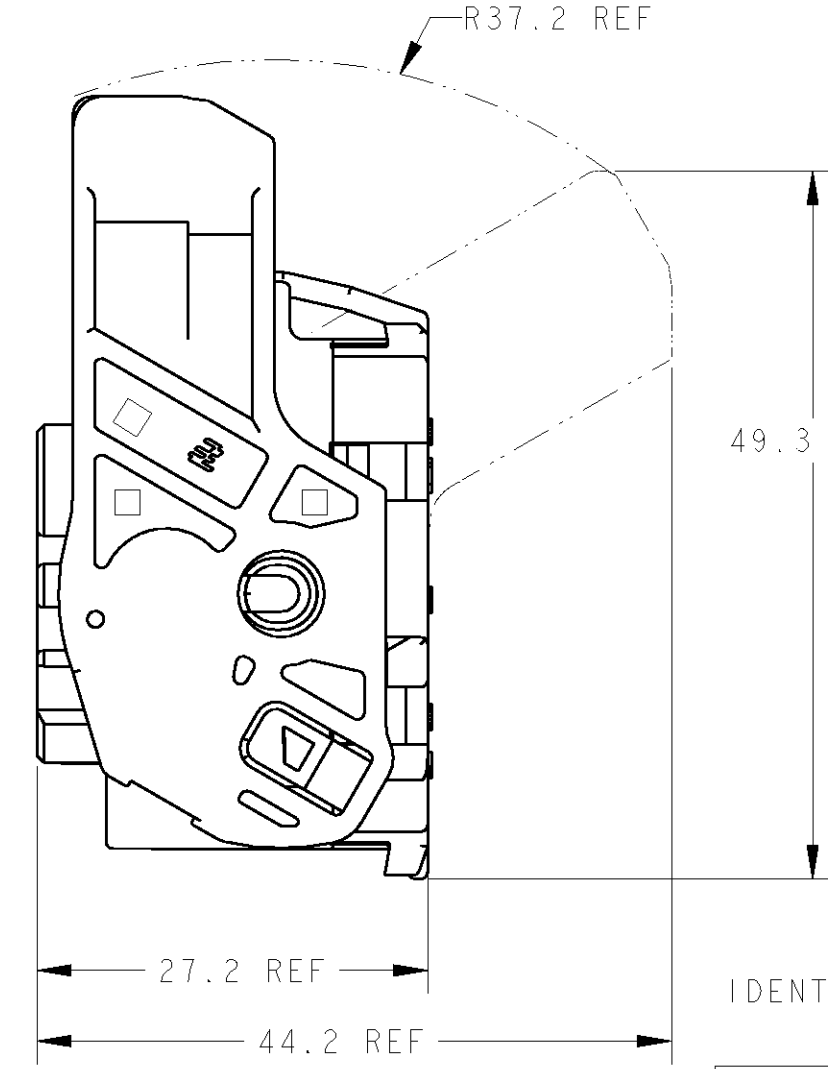
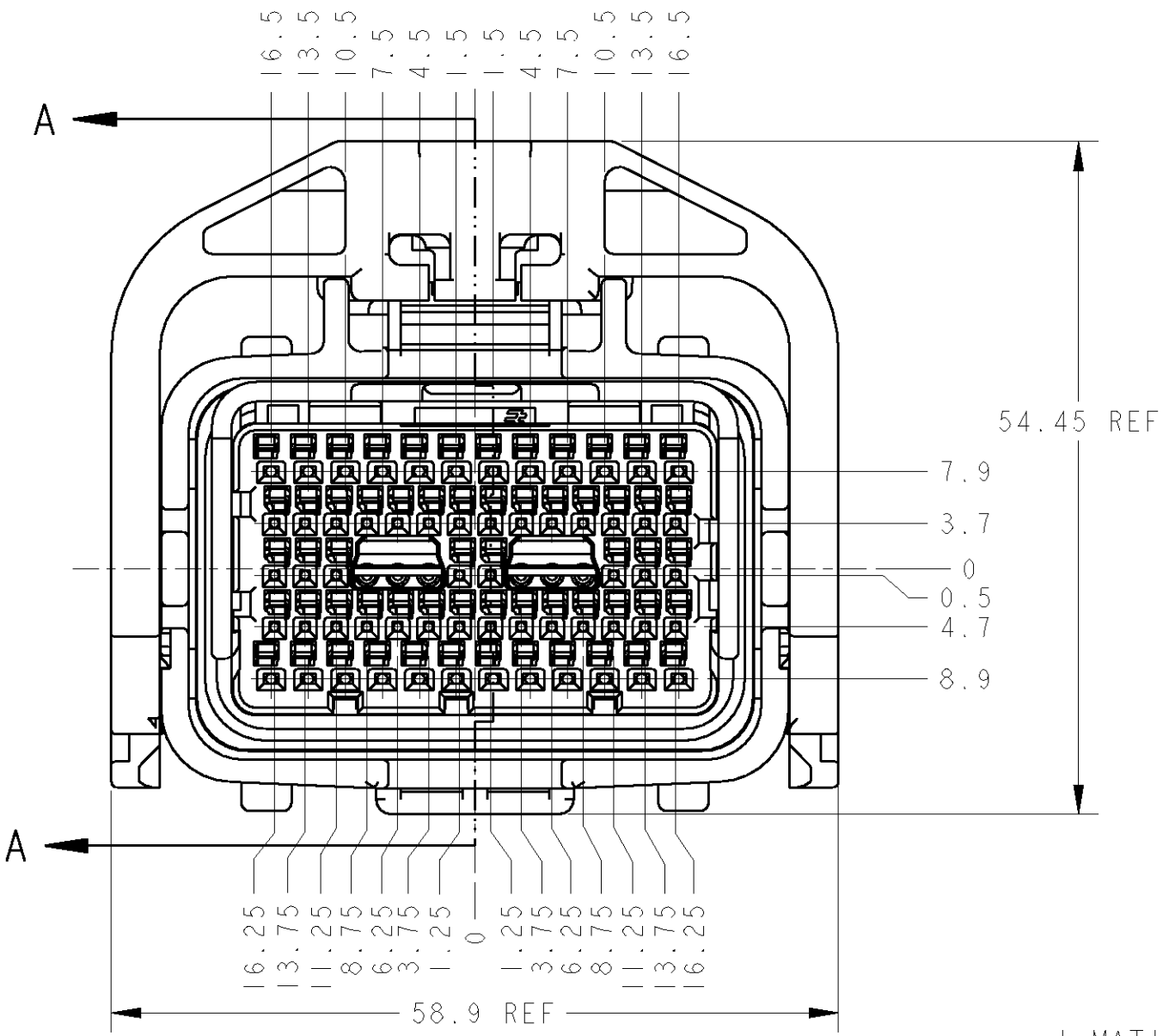
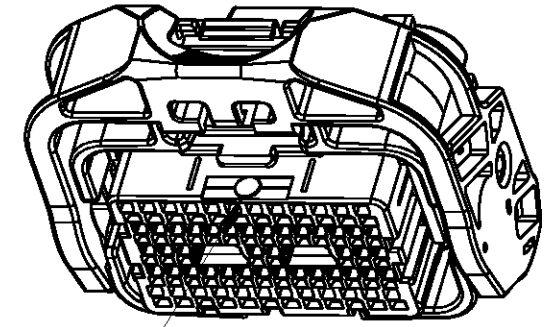


THIS DRAWING IS UNPUBLISHED. RELEASED FOR PUBLICATION
 © COPYRIGHT BY TYCO ELECTRONICS CORPORATION. ALL RIGHTS RESERVED.

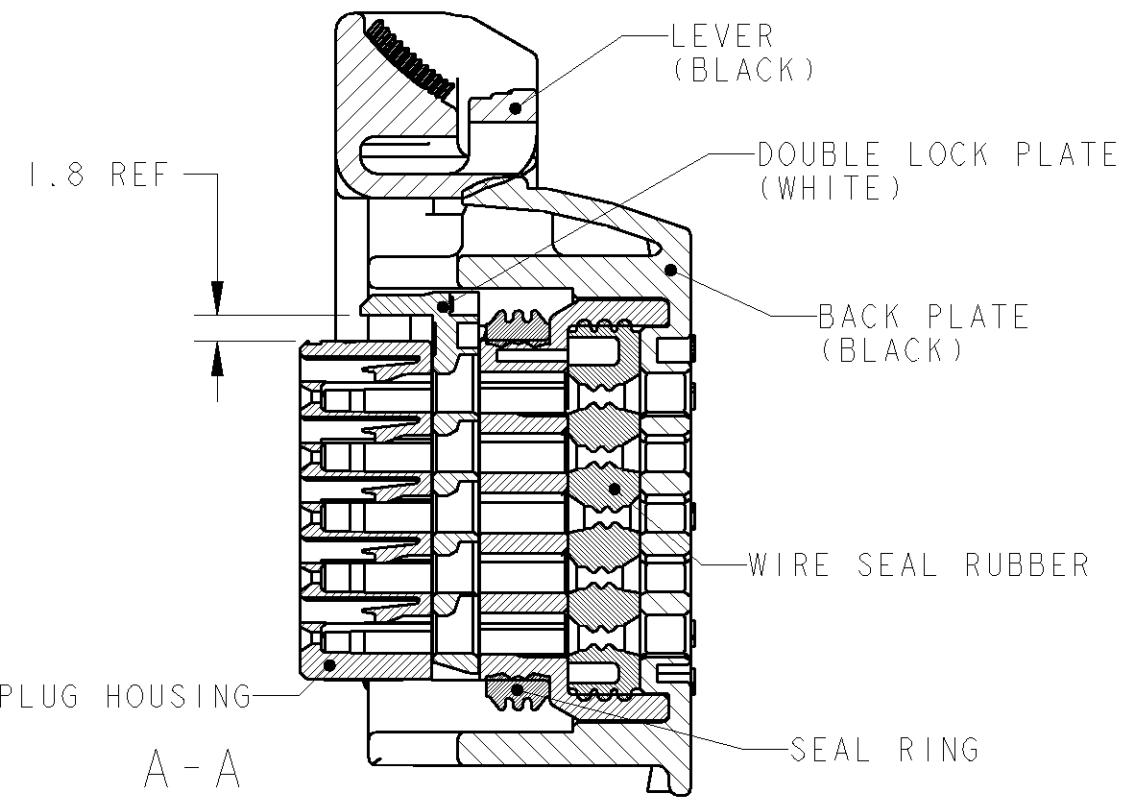
LOC		DIST		REVISIONS				
J		P	LTR	DESCRIPTION	ECN	DATE	DWN	APVD
			B	REVISED	ECR-08-001827	23JAN08	S. U	Y. F



CIRCUIT NUMBER SCALE 1:1



IDENTIFICATION MARK 識別マーク : O SCALE 1:1



- MATING WITH CAP HOUSING SMOOTHLY. CAP HOUSING PRODUCT NUMBER ; 1939153
- APPLICABLE CONTACT PART NUMBER ; SEE TABLE-2

- 相手ハウジングと支障なく嵌合できること
嵌合相手型番 : 1939153
- 適用端子型番 : TABLE-2参照

36	13-48	1717148
		1318329
24	1-12 , 49-60	1612775
		1612776
		1318332
POSITION 極数	CURCUIT NUMBER 回路番号	CONTACT PART NO 適用端子型番
TABLE-2		

AS SHOWN	DARK GREEN	PLUG HOUSING ASSEMBLY 60 POSITION		1939152-1
CORDING 極性	COLOR OF PLUG HOUSING メスハウジングの色	NAME 名称		PRODUCT NO 製品番号
<small>THIS DRAWING IS A CONTROLLED DOCUMENT FOR TYCO ELECTRONICS CORPORATION IT IS SUBJECT TO CHANGE AND THE CONTROLLING ENGINEERING ORGANIZATION SHOULD BE CONTACTED FOR THE LATEST REVISION.</small>		DWN S.UEHARA 11OCT07	Tyco Electronics Corporation kawasaki, Japan	
DIMENSIONS: mm		CHK Y.NOGUCHI 11OCT07		
<small>TOLERANCES UNLESS OTHERWISE SPECIFIED: ±0.3</small>		APVD Y.FUJIWARA 11OCT07	NAME PLUG HOUSING ASSEMBLY 60 POSITION 0.64/1.0 SEALED CONNECTOR	
<small>0-PLC ± 1-PLC ± 2-PLC ± 3-PLC ± 4-PLC ± ANGLES ±1°00'</small>		PRODUCT SPEC 108-5911		
MATERIAL PBT		FINISH SEE TABLE	APPLICATION SPEC 114-5278	SIZE A3
		WEIGHT 42.6g	CAGE CODE 00779	DRAWING NO 1939152
CUSTOMER DRAWING			RESTRICTED TO	SCALE 1:1 SHEET 1 OF 1 REV B