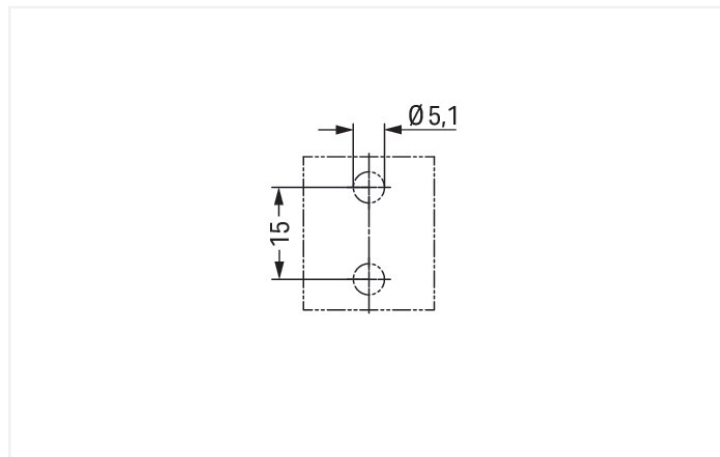


Data Sheet | Item Number: 890-673

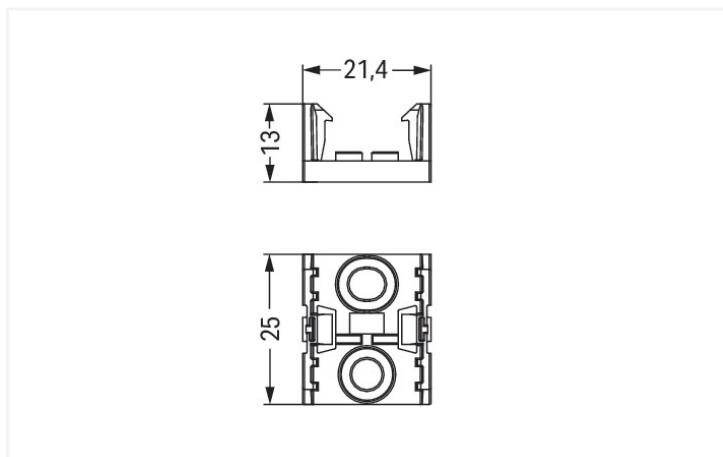
Mounting plate; 3-pole; for distribution connectors; Plastic; white

<https://www.wago.com/890-673>



Color: ■ white

Dimensions in mm



Dimensions in mm

Mounting accessories WINSTA® MINI 3-pole

With the mounting accessories from the WINSTA® MINI product line, zero-defect electrical installation is guaranteed. With WAGO, you benefit from a large selection of accessories for the WINSTA® product line. Thanks to its particularly minimal dimensions, our WINSTA® MINI Pluggable Connection System with Push-in CAGE CLAMP® spring pressure connection technology is very suitable in very tight spaces, i.e., for connections when very little room is available.

WINSTA® MINI solutions for your electrical installation – protected against mismatching and maintenance-free

WINSTA® is the pluggable connection system that is ideally tailored to the strict requirements of electrical installation. It offers fast, secure and, above all, error-free installation of components and cables. Choose durability and quality – with protection against mismatching from WAGO makes the electrical installation of electrical components noticeably easier.

- compact design for conductors with a cross-section up to 1.5 mm²
- convenient installation and commissioning

Notes

General safety information

NOTICE: Observe installation and safety instructions!

- Nur von Elektrofachkraft oder einer für die Tätigkeit elektrisch unterwiesenen Person (EUP nach DIN VDE 0105-100) anzuwenden!
- Nicht unter Spannung/Last installieren!
- Nur für bestimmungsgemäßen Gebrauch einsetzen!
- Nationale Vorschriften/Normen/Richtlinien beachten!
- Technische Daten der Produkte beachten!
- Auf die richtige Polbelegung achten!
- Keine beschädigten/verschmutzten Komponenten verwenden!
- Leiterarten, -querschnitte, Abisolierlängen und Leitungsdurchmesser beachten!
- Leiter bis zum Anschlag einführen!
- Nur mit Verriegelungsklinke und Zugentlastung verwenden!
- Originalzubehör verwenden!

To be sold only with installation instructions!

Connection Data

Connection 1

Pole number	3
-------------	---

Physical data

Width	21.4 mm / 0.843 inches
Height	13 mm / 0.512 inches
Depth	25 mm / 0.984 inches

Mechanical data

Mounting type	Screw mount
Suitable	for distribution connectors (except T-distribution connectors); 3-pole

Material data

Note (material data)	Information on material specifications can be found here
Color	white
Insulation material (main housing)	Polyamide (PA66)
Flammability class per UL94	V0
Fire load	0.057 MJ
Weight	1.9 g

Environmental requirements

Processing temperature	-5 ... +40 °C
Continuous operating temperature	-35 ... +85 °C
Note on continuous operating temperature	Insulating parts for temperatures ≤ 105 °C

Commercial data

Product Group	20 (Winsta)
PU (SPU)	50 pcs
Packaging type	Box
Country of origin	DE
GTIN	4045454684587
Customs tariff number	39269097900

Product Classification

UNSPSC	39121321
eCl@ss 10.0	27-44-06-92
eCl@ss 9.0	27-44-06-92
ETIM 9.0	EC002863
ETIM 10.0	EC002863
ECCN	NO US CLASSIFICATION

Environmental Product Compliance

RoHS Compliance Status	Compliant, No Exemption
------------------------	-------------------------

Downloads

Environmental Product Compliance

Compliance Search

Environmental Product Compliance 890-673	↓
------------------------------------------	-------------------

Documentation

Bid Text

890-673	11.03.2015	doc 21.50 KB	↓
890-673	19.02.2019	xml 2.55 KB	↓

CAD/CAE-Data

CAD data	CAE data
2D/3D Models 890-673 ↓	WSCAD Universe 890-673 ↓
	ZUKEN Portal 890-673 ↓

Subject to changes. Please also observe the further product documentation!

Current addresses can be found at: www.wago.com