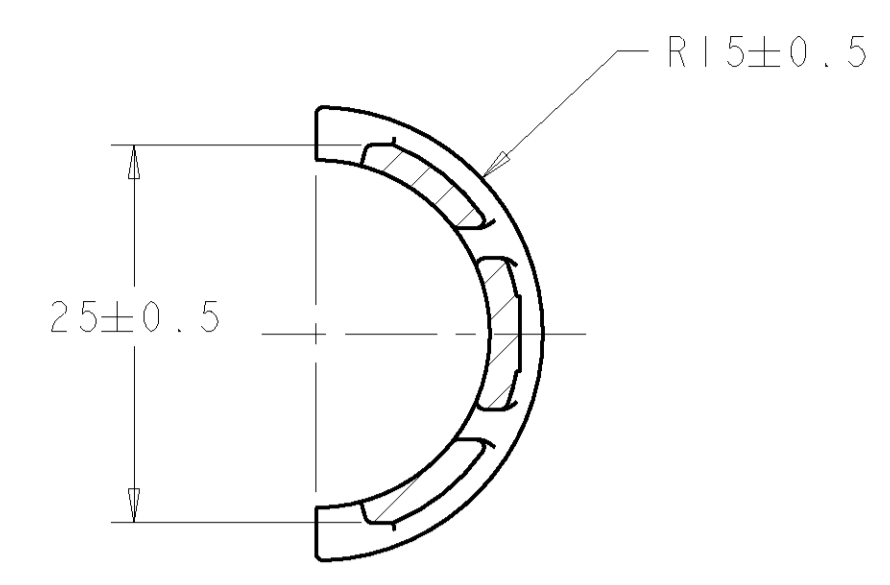
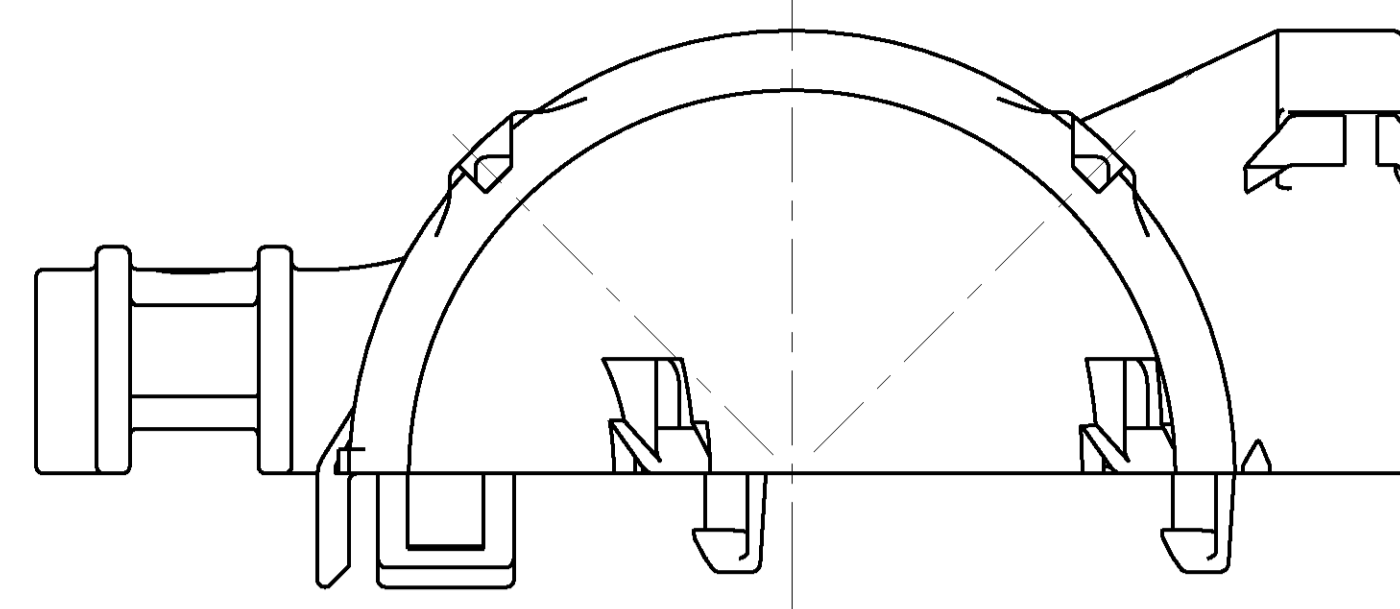
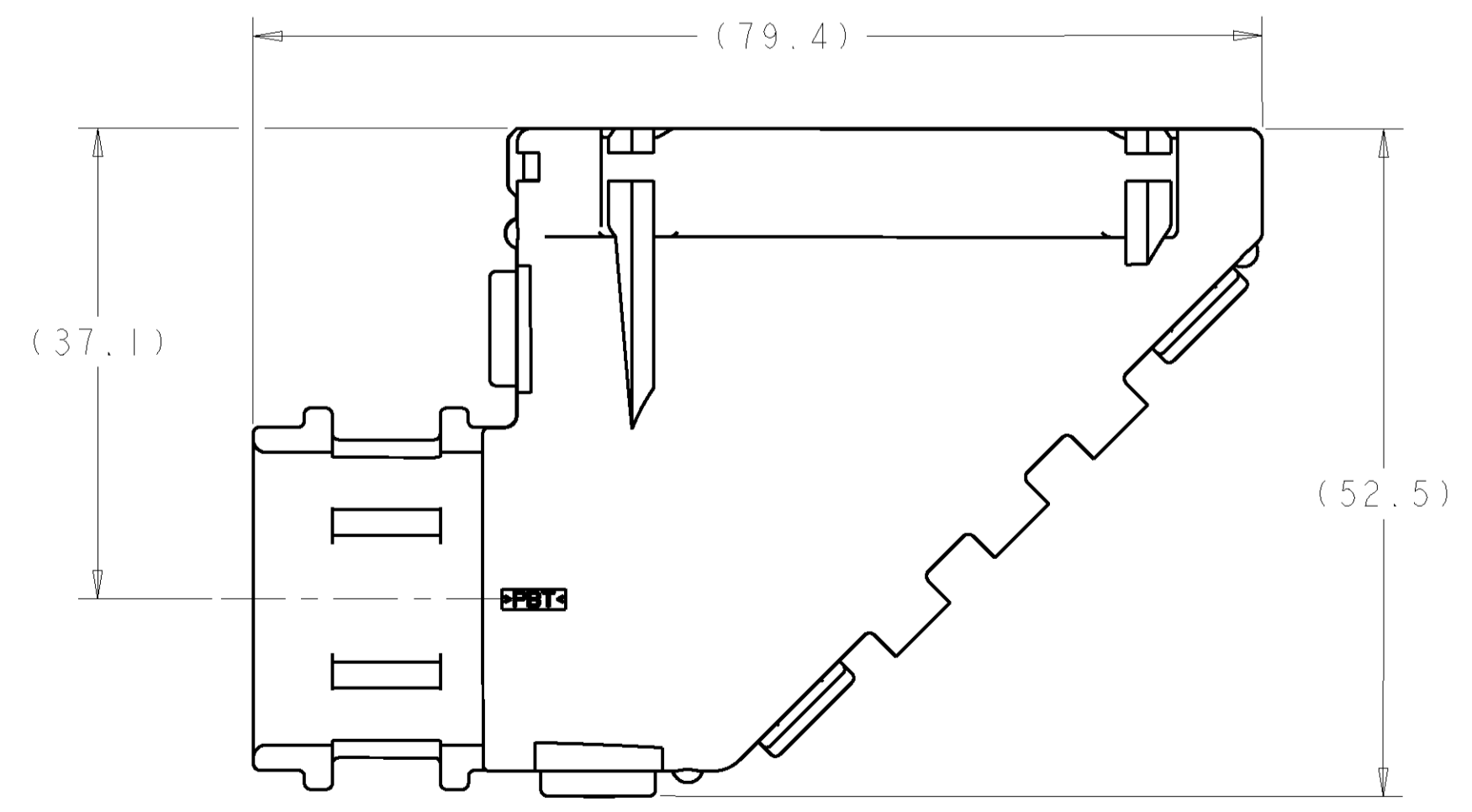
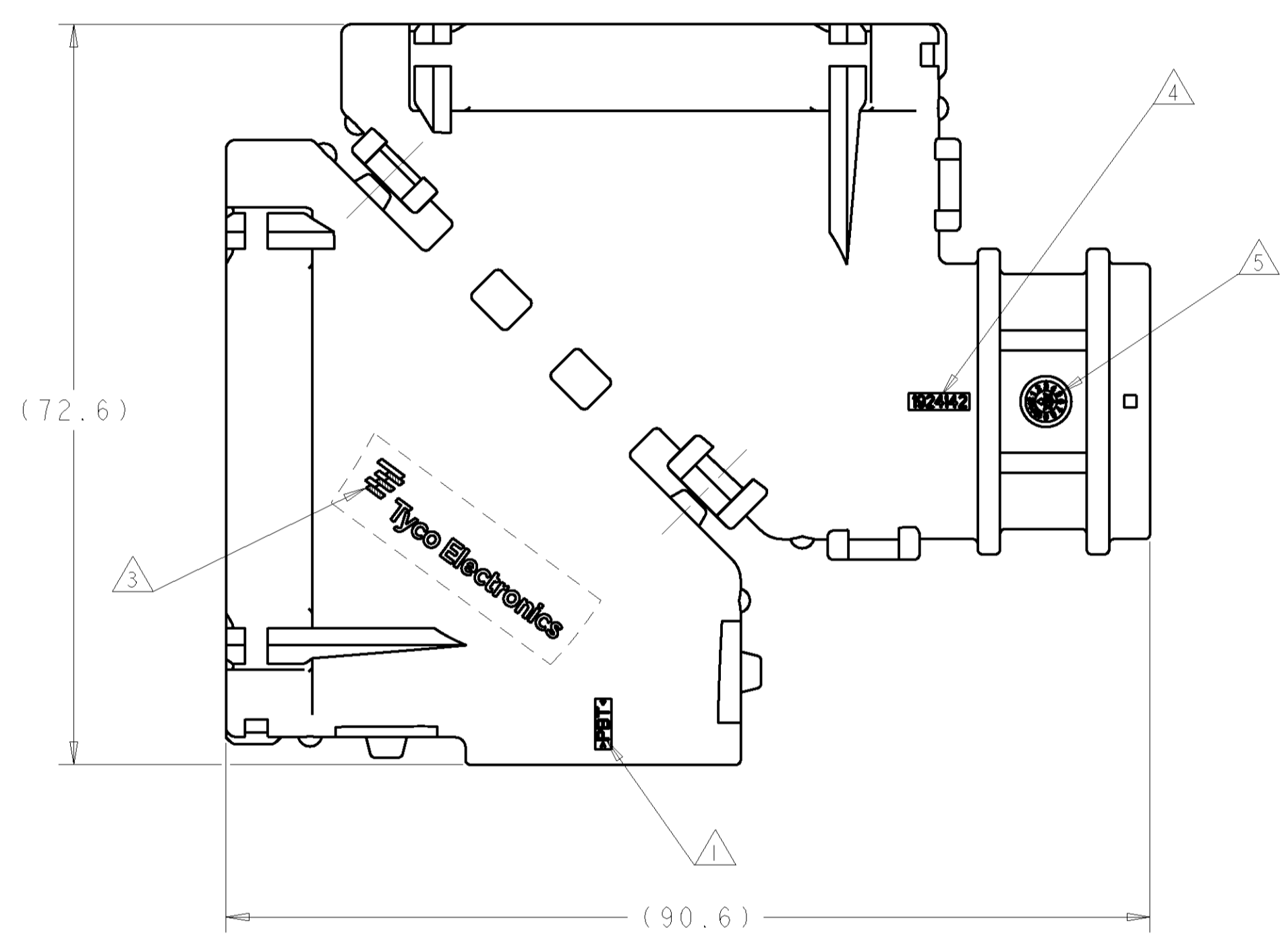
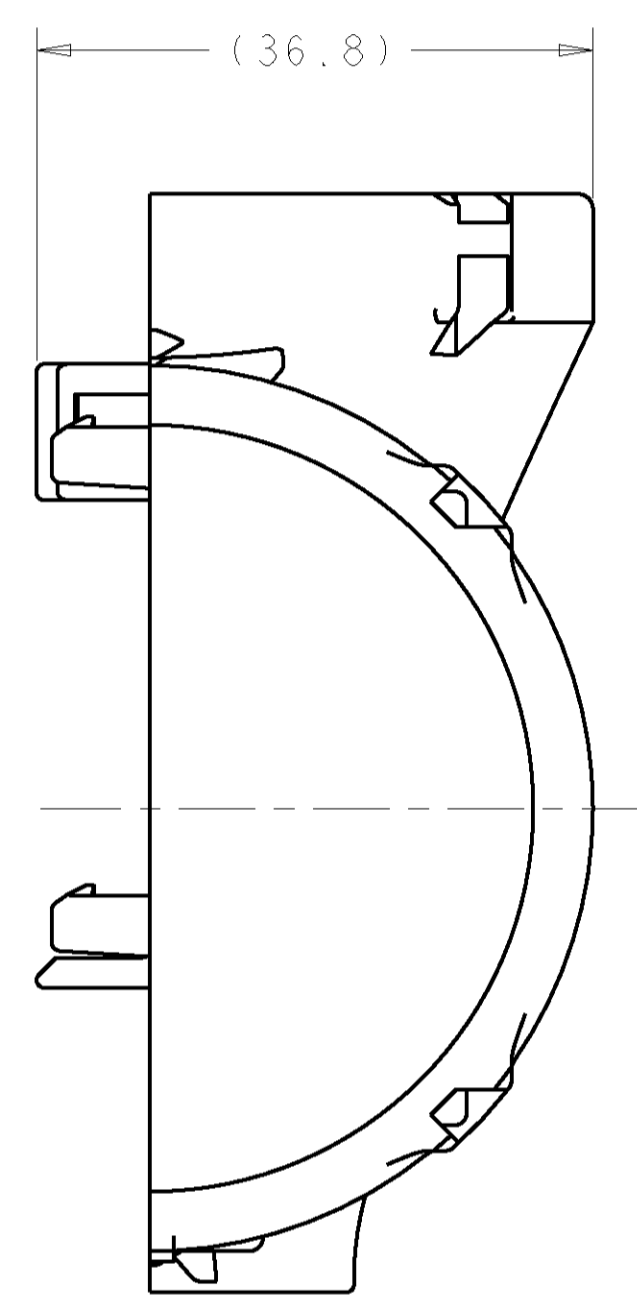
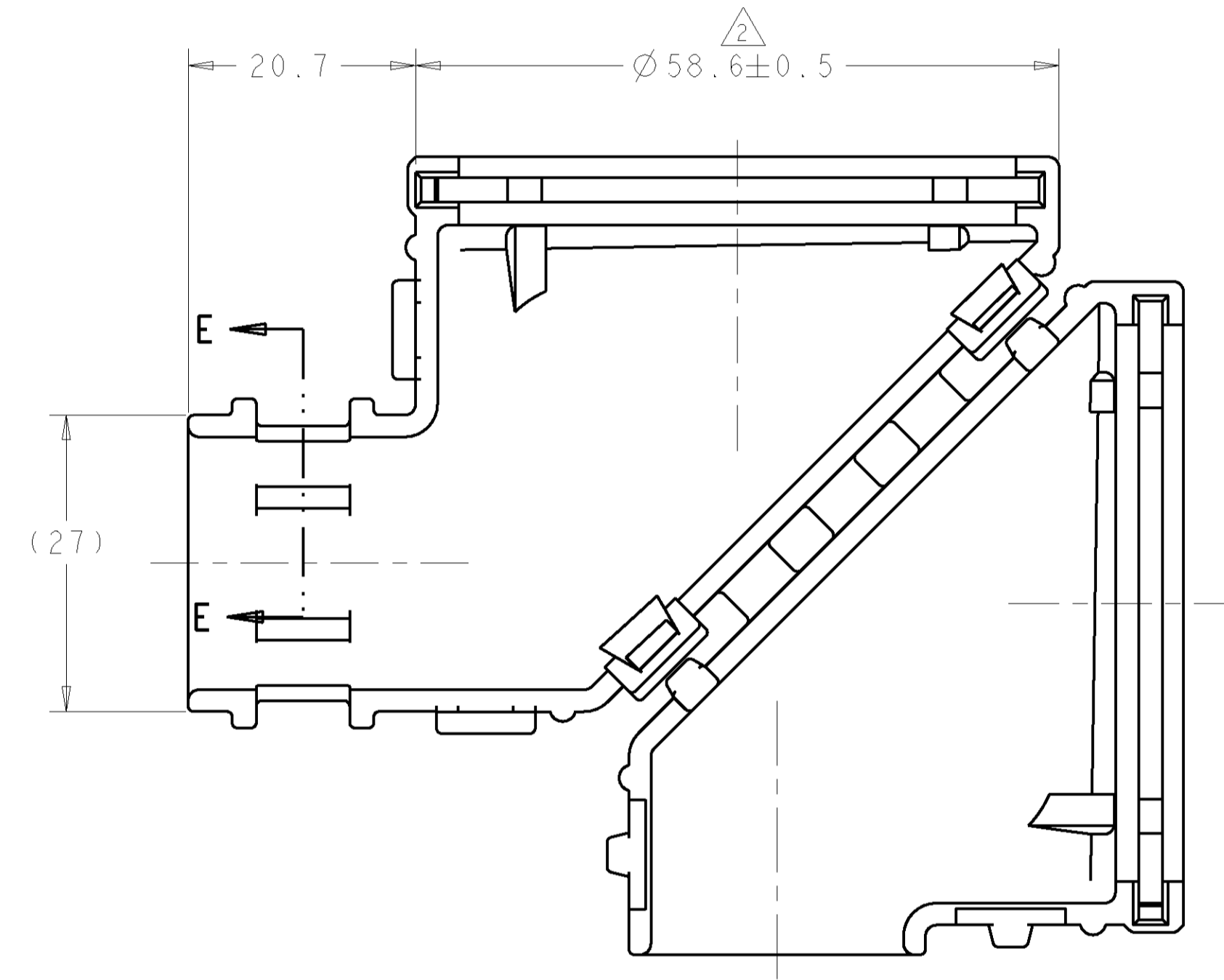


LOC		DIST		REVISIONS			
FX	00	REV	DATE	DESCRIPTION	DATE	DWN	APVD
		A	15JUN2007	RELEASED PER ECR 07-014285		DLD	SC

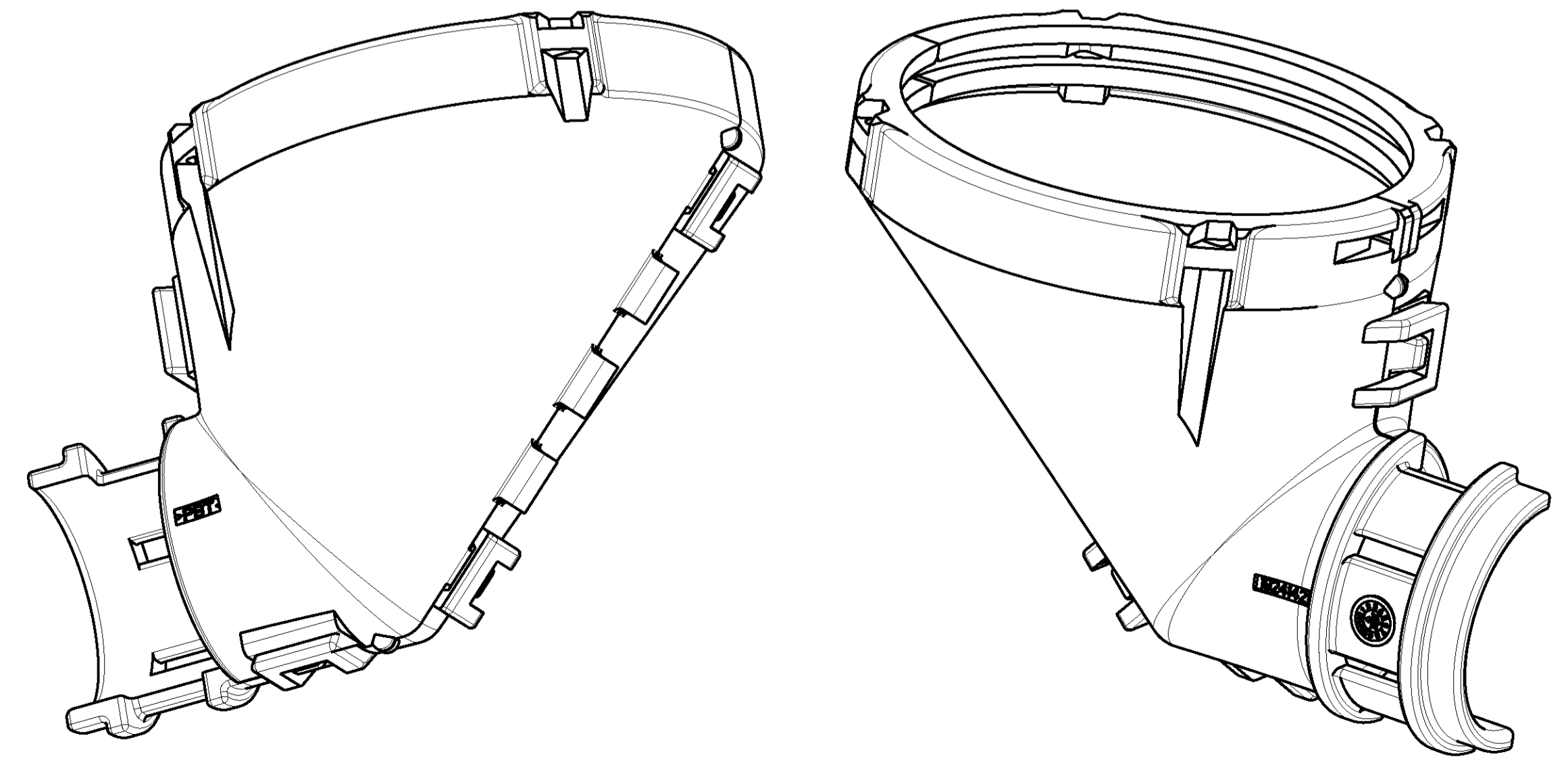


SECTION E-E

- 1 MATERIAL IDENTIFICATION TO BE LOCATED APPROXIMATELY AS SHOWN.
- 2 WARPAGE UP TO ±0.8mm.
- 3 TYCO ELECTRONICS LOGO LOCATED APPROXIMATELY AS SHOWN.
- 4 MOLD TYCO P/N, LOCATED APPROXIMATELY AS SHOWN.
- 5 MOLD DATE CODE USING MONTH AND YEAR CLOCK RECESSED 0.20 MAX. LOCATED APPROXIMATELY AS SHOWN.



FOLDED VIEW



1924142-1
PART NUMBER

<small>THE INFORMATION CONTAINED HEREIN IS UNCLASSIFIED EXCEPT WHERE SHOWN OTHERWISE. IT IS SUBJECT TO CHANGE WITHOUT NOTICE AND WITHOUT LIABILITY TO TYCO ELECTRONICS CORPORATION OR ITS CONTRACTORS FOR THE LATEST REVISION.</small>		DWN: R. VESTAL 08NOV2006 CHK: S. CROSS 08NOV2006 APVD: S. CROSS 08NOV2006	Tyco Electronics Harrisburg, PA 17105-3608
DIMENSIONS: mm 		TOLERANCES UNLESS OTHERWISE SPECIFIED: 0 PLC ±0.3 1 PLC ±0.3 2 PLC ±0.20 3 PLC ± 4 PLC ± ANGLES ±0°	NAME: WIRE COVER, 90 DEGREE, 31 POSITION, CONNECTOR PRODUCT SPEC: APPLICATION SPEC: SIZE: A 00779 C=1924142 WEIGHT: - CUSTOMER DRAWING
MATERIAL: PBT FINISH: BLACK		SCALE: 2:1 SHEET: 1 OF 1 REV: A	RESTRICTED TO: -