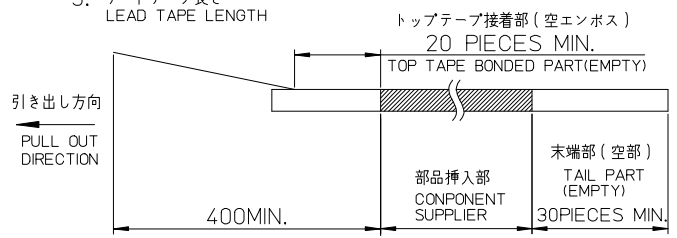


NOTES

- 製品詳細寸法は製品単体図面を参照して下さい。
FOR DETAIL OF CONNECTOR DIMENSIONS,
PLEASE SEE THE DRAWING OF CONNECTOR ITSELF (NOT PACKAGED).
- 梱包数量 : 700個
NUMBER OF CONNECTORS : 700 PIECES/REEL.
- リードテープ長さ
LEAD TAPE LENGTH



- 材料 MATERIAL
キャリアテープ: ポリスチレン (PS)
CARRIER TAPE : POLYSTYRENE (PS)
トップテープ: ポリエステル (PET)、その他
TOP TAPE : POLYESTER (PET)、OTHER
リール: ポリスチレン (PS) <リサイクル材を含む>
REEL : POLYSTYRENE (PS) <RECYCLE MATERIAL CONTAINED>
- トップテープの剥離強度については、IEC60286-3に準拠
TOP TAPE PEEL FORCE IS DEFINED BY IEC60286-3.

					HSG COLOR GREEN	HSG COLOR BLUE	HSG COLOR RED	HSG COLOR BLACK	HSG COLOR NATURAL (BEIGE)	
49.4	45.4	20.2	44	5041894076	5041894074	5041894072	5041894071	5041894070	40	
49.4	45.4	20.2	44	5041893876	5041893874	5041893872	5041893871	5041893870	38	
49.4	45.4	20.2	44	5041893676	5041893674	5041893672	5041893671	5041893670	36	
49.4	45.4	20.2	44	5041893476	5041893474	5041893472	5041893471	5041893470	34	
49.4	45.4	20.2	44	5041893276	5041893274	5041893272	5041893271	5041893270	32	
49.4	45.4	20.2	44	5041893076	5041893074	5041893072	5041893071	5041893070	30	
37.4	33.4	14.2	32	5041892876	5041892874	5041892872	5041892871	5041892870	28	
37.4	33.4	14.2	32	5041892676	5041892674	5041892672	5041892671	5041892670	26	
37.4	33.4	14.2	32	5041892476	5041892474	5041892472	5041892471	5041892470	24	
37.4	33.4	14.2	32	5041892276	5041892274	5041892272	5041892271	5041892270	22	
37.4	33.4	14.2	32	5041892076	5041892074	5041892072	5041892071	5041892070	20	
29.4	25.4	11.5	24	5041891876	5041891874	5041891872	5041891871	5041891870	18	
29.4	25.4	11.5	24	5041891676	5041891674	5041891672	5041891671	5041891670	16	
D	C	B	A	エンボステープ幅 EMBOSSED TAPE PACKAGE エンボステープ パッケージ	エンボステープ幅 EMBOSSED TAPE PACKAGE エンボステープ パッケージ	エンボステープ幅 EMBOSSED TAPE PACKAGE エンボステープ パッケージ	エンボステープ幅 EMBOSSED TAPE PACKAGE エンボステープ パッケージ	エンボステープ幅 EMBOSSED TAPE PACKAGE エンボステープ パッケージ	エンボステープ幅 EMBOSSED TAPE PACKAGE エンボステープ パッケージ	極数 (KT. NO.)

RELEASED EC NO: J2014-0152 DRWNSAT002 2013/07/25 CHKDKASAKAWA 2013/07/30 APPR:NUKITA 2013/08/08	DESCRIPTION REV O	GENERAL TOLERANCES (UNLESS SPECIFIED)		DIMENSION STYLE MM ONLY		SCALE 2:1	DESIGN UNITS METRIC	THIRD ANGLE PROJECTION		
		10 UNDER	±0.2	DRAWN BY SSAT002	DATE 2013/07/25	TITLE EMBOSSED PACKAGE FOR 1.25 WTB DUAL RA SMT				
		10 OVER 30 UNDER	±0.25	CHECKED BY KASAKAWA	DATE 2013/07/30					
		30 OVER	±0.3	APPROVED BY NUKITA	DATE 2013/08/08					
ANGULAR ±1 °		DRAFT WHERE APPLICABLE MUST REMAIN WITHIN DIMENSIONS		MATERIAL NO. SEE TABLE		DOCUMENT NO. SD-504189-001		SHEET NO. 1 OF 1		
SIZE A3 THIS DRAWING CONTAINS INFORMATION THAT IS PROPRIETARY TO MOLEX INCORPORATED AND SHOULD NOT BE USED WITHOUT WRITTEN PERMISSION										

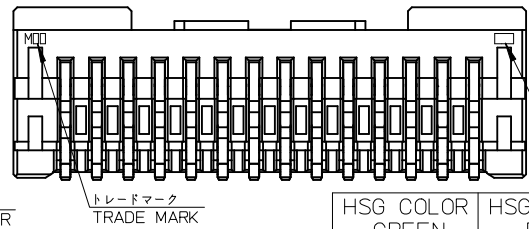
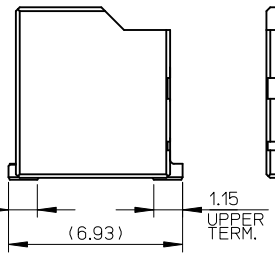
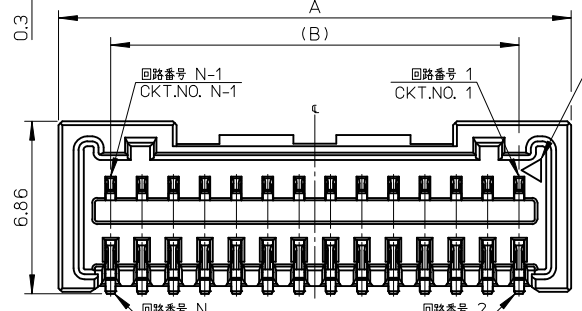
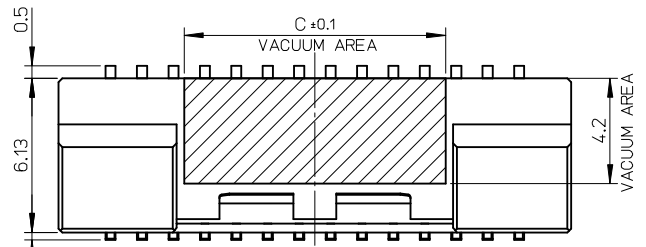
ELV AND RoHS COMPLIANT

NOTES

1. 嵌合相手: 504186-**0*
MATE WITH: 504186-**0*
2. 端子テール部の平坦度: 0.1MAX.
TAIL COPLANARITY TO BE 0.1 MAX.
3. 極数/2=偶数に適用。
APPLY FOR CKT. SIZE / 2 = EVEN.
4. 端子部に錫めっきを使用しているため、
外觀に摺動痕が付く場合が御座います。
THE WOUND OF FRICTION MIGHT ADHERE TO EXTERNALS
BECAUSE THE TIN PLATING IS USED FOR THE TERMINAL.
5. 本製品のプラスチック部に黒点等が確認される場合や
色合いが異なる場合がありますが、製品性能に影響はありません。
THERE IS NO INFLUENCE IN THE PRODUCT PERFORMANCE THOUGH
THE BLACK SPOT ETC. MIGHT BE CONFIRMED TO THE PLASTIC PART
OF THIS PRODUCT AND THE SHADE MIGHT BE DIFFERENT.
6. アプリケーション仕様書 (コネクタ取扱説明書) : AS-504186-001/-002
APPLICATION SPECIFICATIONS (CONNECTOR MANUAL): AS-504186-001/-002
7. 製品仕様書: PS-504186-001
Product specification: PS-504186-001

8. 製品番号 MATERIAL No.
504189**7*
極数 ↑ 色
CIRCUIT SIZE COLOR

NO.	COLOR
0	NATURAL
1	BLACK
2	RED
4	BLUE
6	GREEN



	HSG COLOR GREEN	HSG COLOR BLUE	HSG COLOR RED	HSG COLOR BLACK	HSG COLOR NATURAL(BEIGE)			
14.9	23.75	27.9	5041894076	5041894074	5041894072	5041894071	5041894070	40
14.9	22.5	26.65	5041893876	5041893874	5041893872	5041893871	5041893870	38
14.9	21.25	25.4	5041893676	5041893674	5041893672	5041893671	5041893670	36
10.4	20	24.15	5041893476	5041893474	5041893472	5041893471	5041893470	34
10.4	18.75	22.9	5041893276	5041893274	5041893272	5041893271	5041893270	32
10.4	17.5	21.65	5041893076	5041893074	5041893072	5041893071	5041893070	30
10.4	16.25	20.4	5041892876	5041892874	5041892872	5041892871	5041892870	28
8.9	15	19.15	5041892676	5041892674	5041892672	5041892671	5041892670	26
8.9	13.75	17.9	5041892476	5041892474	5041892472	5041892471	5041892470	24
8.9	12.5	16.65	5041892276	5041892274	5041892272	5041892271	5041892270	22
8.9	11.25	15.4	5041892076	5041892074	5041892072	5041892071	5041892070	20
8.9	10	14.15	5041891876	5041891874	5041891872	5041891871	5041891870	18
7.65	8.75	12.9	5041891676	5041891674	5041891672	5041891671	5041891670	16
C	B	A	エンボス極包 EMBOSSSED TAPE PACKAGE オーダー番号 ORDER NO.	エンボス極包 EMBOSSSED TAPE PACKAGE オーダー番号 ORDER NO.	エンボス極包 EMBOSSSED TAPE PACKAGE オーダー番号 ORDER NO.	エンボス極包 EMBOSSSED TAPE PACKAGE オーダー番号 ORDER NO.	エンボス極包 EMBOSSSED TAPE PACKAGE オーダー番号 ORDER NO.	極数 CKT. NO.

部品 PART	材質 MATERIAL
ハウジング HOUSING	ポリアミド(PA)、ガラス充填、UL94V-0、色:表参照 POLYAMIDE (PA), GLASS FILLED, UL94 V-0, COLOR: SEE TABLE
上段端子 UPPER TERM.	黄銅 BRASS
	錫めっき: 1.0 micro-meter MIN. TIN ニッケルめっき(下地): 1.0 micro-meter MIN. NICKEL (UNDER PLATING)
下段端子 LOWER TERM.	黄銅 BRASS
	錫めっき: 1.0 micro-meter MIN. TIN ニッケルめっき(下地): 1.0 micro-meter MIN. NICKEL (UNDER PLATING)

RELEASED EC NO: J2014-0152
DRMNSSAT002 2013/07/25
CHKD:KASAKAWA 2013/07/30
APPR:NUKITA 2013/08/08

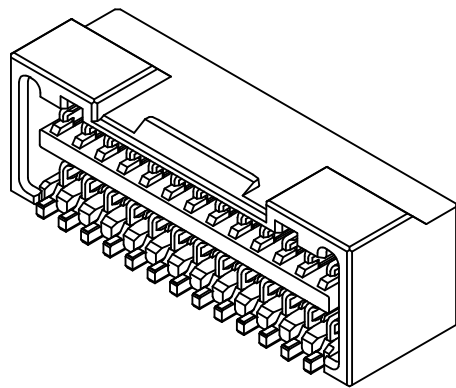
GENERAL TOLERANCES (UNLESS SPECIFIED)

10 UNDER	±0.2
10 OVER 30 UNDER	±0.25
30 OVER	±0.3

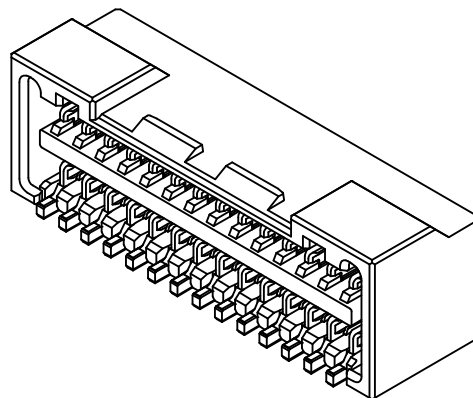
ANGULAR ±1 °
DRAFT WHERE APPLICABLE
MUST REMAIN WITHIN DIMENSIONS

DIMENSION STYLE MM ONLY
DRAWN BY SSAT002 DATE 2013/07/25
CHECKED BY KASAKAWA DATE 2013/07/30
APPROVED BY NUKITA DATE 2013/08/08
MATERIAL NO. SEE TABLE

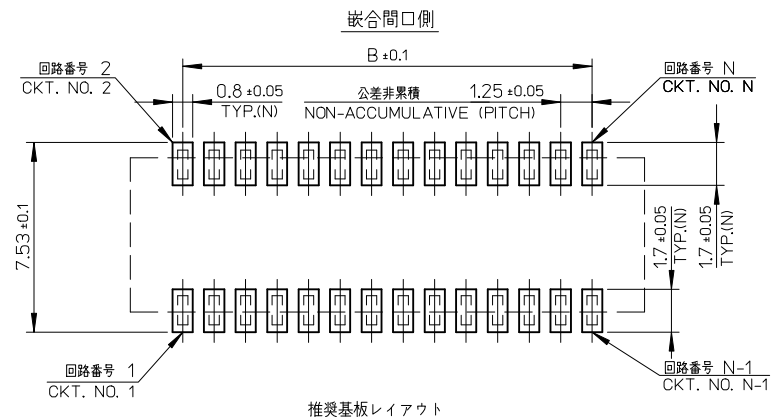
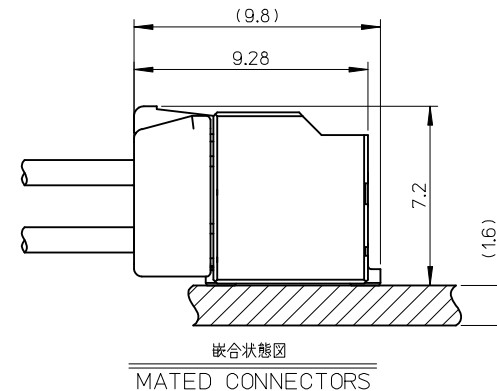
SCALE 5:1 DESIGN UNITS METRIC THIRD ANGLE PROJECTION
TITLE 1.25 WTB DUAL RA SMT PLUG ASS'Y
molex
DOCUMENT NO. SD-504189-002 SHEET NO. 1 OF 2
THIS DRAWING CONTAINS INFORMATION THAT IS PROPRIETARY TO MOLEX INCORPORATED AND SHOULD NOT BE USED WITHOUT WRITTEN PERMISSION



16-26 CKT.係止形状



28-40 CKT.係止形状



RECOMMENDED P.C.B. PATTERN LAYOUT
(参考:メタルマスク厚さ:150μm, マスク開口率100%)
(REFERENCE:MATAL MASK THICKNESS:150μm, APERTURE RASIO:100%)

RELEASED EC NO: J2014-0152 DRWN:SSATO02 2013/07/25 CHKD:KASAKAWA 2013/07/30 APPR:NUKITA 2013/08/08 O	GENERAL TOLERANCES (UNLESS SPECIFIED)		DIMENSION STYLE	SCALE	DESIGN UNITS	THIRD ANGLE PROJECTION
	10 UNDER ±0.2		MM ONLY	5:1	METRIC	1.25 WTB DUAL RA SMT PLUG ASS'Y molex
	10 OVER 30 UNDER ±0.25		DRAWN BY	DATE	TITLE	
	30 OVER ±0.3		CHECKED BY	DATE		
	ANGULAR ±1 °		APPROVED BY	DATE		
DRAFT WHERE APPLICABLE MUST REMAIN WITHIN DIMENSIONS		NUKITA 2013/08/08				
			MATERIAL NO.	DOCUMENT NO.	SHEET NO.	
			SEE SHEET 1	SD-504189-002	2 OF 2	
			THIS DRAWING CONTAINS INFORMATION THAT IS PROPRIETARY TO MOLEX INCORPORATED AND SHOULD NOT BE USED WITHOUT WRITTEN PERMISSION			