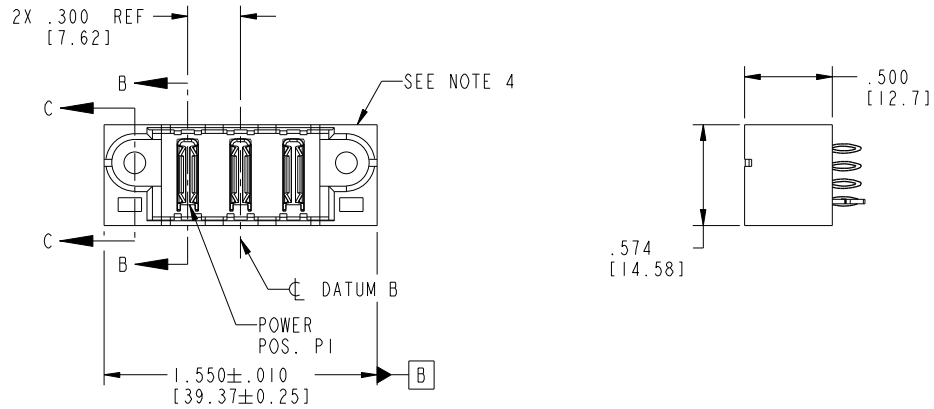


Tous droits strictement reserves. Reproduction ou communication a des tiers interdite sous quelque forme que ce soit sans autorisation écrite du propriétaire. Propriete de c FCI. Droits de reproduction FCI.



All rights strictly reserved. Reproduction or issue to third parties in any form whatever is not permitted without written authority from the proprietor. Property of FCI. Copyright FCI.

PRODUCT NO.	POWER				
	E1	P1	P2	P3	E2
51952-121 NOTE ③		PC	PC	PC	



CODE	DIM "M" MATING LENGTH		CONTACT TYPE
PC	[N/A]	[N/A]	POWER
HA	N/A	[N/A]	HOLD-DOWN

mat'l code		SEE NOTE 2		tolerances unless otherwise specified		CUSTOMER			
ltr	ecn no.	dr	date	linear	.XX±.01/0.X±0.3	COPY		www.fciconnect.com	
A	DG07-0321	JC	08/07/07	angles	.XXX±.005/0.XX±0.13	projection		title	
					.XXX±.002/0.XXX±0.051	INCH/MM		3ACP	
				dr	0°±2°	scale		VERTICAL PRESS-FIT HEADER	
				enr	Jerome Chen 07/10/07	1:1		product family	
				chr	Jerome Chen 07/10/07	A		PwrBlade	
				appd	Gary Hsieh 07/10/07			code	
					Joseph Hsia 07/10/07			213	
sheet index	revision sheet	A	A	A	A			size	
		1	2	3	4			dwg no	
								51952-121	
								sheet	
								1 of 4	

cage code 22526

Pro/E

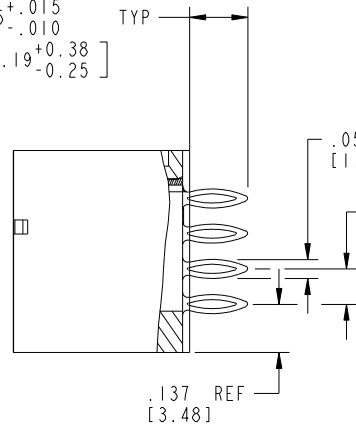
Tous droits strictement reserves. Reproduction ou communication a des tiers interdite sous quelque forme que ce soit sans autorisation ecrite du proprietaire. Propriete de c FCI. Droits de reproduction FCI.



All rights strictly reserved. Reproduction or issue to third parties in any form whatever is not permitted without written authority from the proprietor. Property of FCI. Copyright FCI.

PRODUCT NUMBER  
51952-121--  
NOTE ③

$.165^{+.015}_{-.010}$   
[ 4.19<sup>+0.38</sup><sub>-0.25</sub> ]

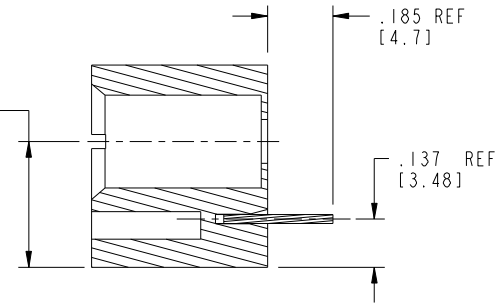


SECTION B-B  
SCALE 2:1

$.054$  REF TYP  
[ 1.37 ]

$.100$  REF TYP  
[ 2.54 ]

$.357$  REF  
[ 9.07 ]



SECTION C-C  
SCALE 2:1

mat'l code		SEE NOTE 2		tolerances unless otherwise specified		CUSTOMER		 www.fciconnect.com	
ltr	ecn no.	dr	date	linear	$.XX \pm .01 / 0.X \pm 0.3$	COPY		title	
A					$.XXX \pm .005 / 0.XX \pm 0.13$	projection		3ACP	
				angles	$.XXX \pm .002 / 0.XXX \pm 0.051$			VERTICAL PRESS-FIT HEADER	
					$0^{\circ} \pm 2^{\circ}$			product family	
		dr	Jerome Chen	07/10/07		scale		PwrBlade	
		enr	Jerome Chen	07/10/07		1:1		code	
		chr	Gary Hsieh	07/10/07		A		213	
		appd	Joseph Hsia	07/10/07		51952-121		sheet	
sheet index		revision sheet						2 of 4	

cage code 22526

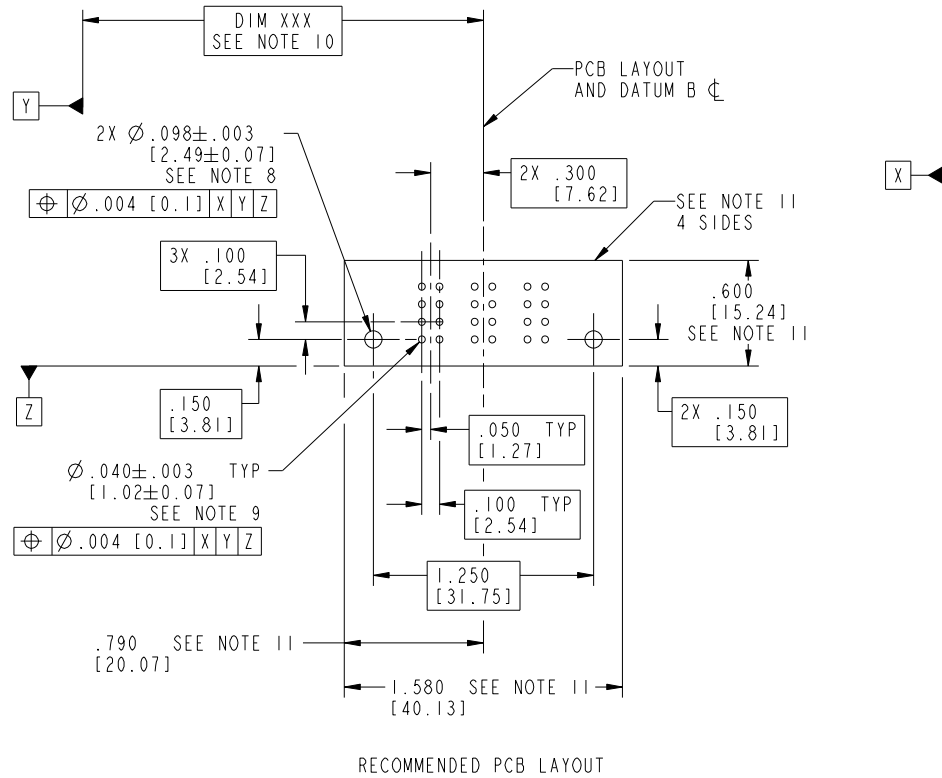
Pro/E

Tous droits strictement réservés. Reproduction ou communication à des tiers interdite sous quelque forme que ce soit sans autorisation écrite du propriétaire. Propriété de c.FCI. Droits de reproduction FCI.



All rights strictly reserved. Reproduction or issue to third parties in any form whatever is not permitted without written authority from the proprietor. Property of FCI. Copyright FCI.

PRODUCT NUMBER  
51952-121--  
NOTE ③



mat'l code		SEE NOTE 2		tolerances unless otherwise specified		CUSTOMER		 www.fciconnect.com	
ltr	ecn no.	dr	date	linear	.XX±.01/0.X±0.3	COPY		title	
A					.XXX±.005/0.XX±0.13	projection		3ACP	
				angles	.XXX±.0020/0.XXX±0.051			VERTICAL PRESS-FIT HEADER	
				dr	Jerome Chen 07/10/07	INCH/MM		product family	
				enr	Jerome Chen 07/10/07	scale		PwrBlade	
				chr	Gary Hsieh 07/10/07	1:1		code	
				appd	Joseph Hsia 07/10/07	A		213	
sheet index	revision sheet					size		dwg no	
						A		51952-121	
						3 of 4		sheet	
						cage code		22526	
						4		3 of 4	

Pro/E

cage code 22526

Tous droits strictement reserves. Reproduction ou communication a des tiers interdite sous quelque forme que ce soit sans autorisation écrite du propriétaire. Propriete de c FCI. Droits de reproduction FCI.



All rights strictly reserved. Reproduction or issue to third parties in any form whatever is not permitted without written authority from the proprietor. Property of FCI. Copyright FCI.

PRODUCT NUMBER  
51952-121--  
NOTE ③

NOTES:

1. DIMENSIONS AND TOLERANCES ARE IN ACCORDANCE WITH ASME Y14.5M, 1994 UNLESS OTHERWISE SPECIFIED.

CONNECTOR NOTES:

- ② HOUSING MATERIAL: UL 94 V-0 GLASS FILLED HIGH-TEMP THERMOPLASTIC  
POWER CONTACT MATERIAL: COPPER ALLOY  
SIGNAL PIN MATERIAL: COPPER ALLOY
- 3. PLATING:  
SEE PRINT 10064183 FOR PLATING SPEC OF 51952-121; 51952-121LF
- 4. MANUFACTURER'S NAME, P/N AND DATE CODE TO APPEAR ON THIS SURFACE.
- 5. PRODUCT SPECIFICATION GS-12-149.  
APPLICATION SPECIFICATION BUS-20-067.
- 6. PACKAGED IN TRAYS.

PCB NOTES:

- 7. ALL HOLE DIAMETERS ARE FINISHED HOLE SIZE.
- 8. MOUNTING HOLES, WHERE APPLICABLE, ARE UNPLATED.
- 9  $\varnothing .0453 \pm .0010$  [1.151  $\pm$  0.025] DRILLED HOLES PLATED WITH  
.0003 [0.008] MIN SnPb OR Sn OVER .001 [0.03]  
TO .003 [0.08] Cu PLATING TO ACHIEVE  
 $\varnothing .040 \pm .003$  [1.02  $\pm$  .07] HOLE.
- ⑩ "DIM XXX" TO BE DETERMINED BY THE CUSTOMER.
- ⑪ CONNECTOR KEEP-OUT ZONE.
- 12. FOR PRESS FIT APPLICATION USE FCI  
CAM TOOL 430169-038.

mat'l code		SEE NOTE 2		tolerances unless otherwise specified		CUSTOMER		 www.fciconnect.com		
ltr	ecr no.	dr	date	linear	.XX±.01/0.X±0.3	COPY		 title 3ACP VERTICAL PRESS-FIT HEADER	product family PwrBlade code 213	
A					.XXX±.005/0.XX±0.13	 INCH/MM	size A 51952-121			sheet 4 of 4
					.XXX±.0020/0.XXX±0.051					
				angles	0°±2°					
				dr	Jerome Chen 07/10/07					
				enr	Jerome Chen 07/10/07					
				chr	Gary Hsieh 07/10/07					
				appd	Joseph Hsia 07/10/07					
sheet index	revision sheet									

cage code 22526

Pro/E

1 | 2

3 |

4