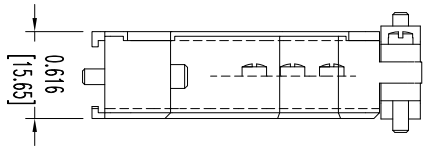
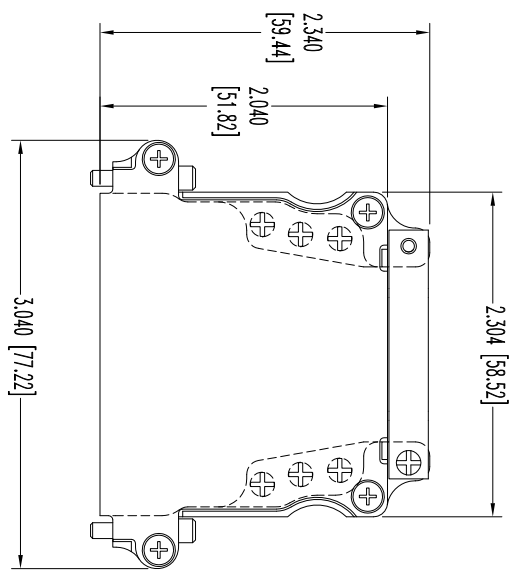
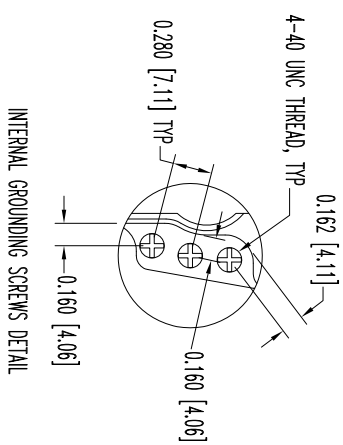
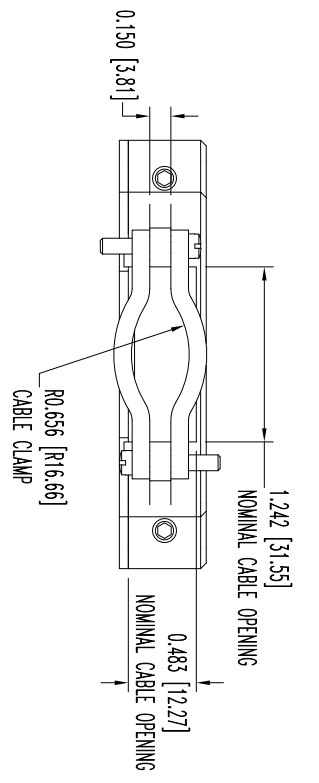


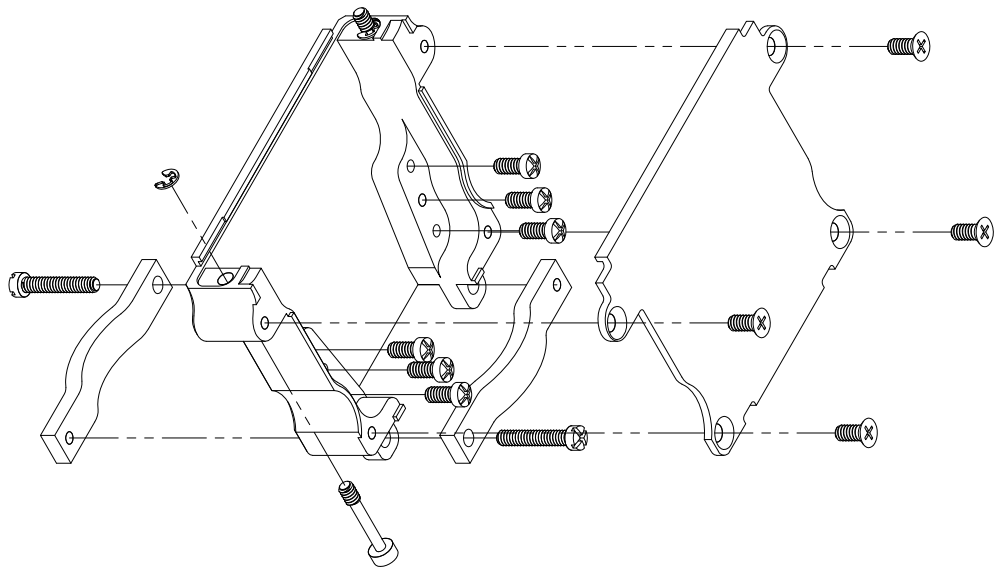
THIS DRAWING CONTAINS INFORMATION PROPRIETARY TO POSITRONIC INDUSTRIES INC. ANY REPRODUCTION OR USE OF THIS DRAWING WITHOUT THE WRITTEN PERMISSION OF POSITRONIC INDUSTRIES INC. IS STRICTLY PROHIBITED. THE USER BURN-O-VIS SUCH INFORMATION AT HIS OWN DISCRETION. RESULTS OBTAINED OR DAMAGES INCURRED FROM USE OF SUCH INFORMATION IN WHOLE OR IN PART.

SK12936

DATE	REV	REVISION RECORD	APP	DR	CK
11-2	NC	ECO 34671	COLB	ME	COLB
8-12	A	ECO 40433	COLB	BE	COLB



EXPLODED VIEW



NOTES:

1. MATERIAL AND FINISHES:  
HOOD, COVER AND CABLE CLAMPS: ALUMINUM, ELECTROLESS NICKEL FINISH.  
SCREWS: STEEL, NICKEL FINISH.
2. DETAILED PRODUCT, MECHANICAL, AND ELECTRICAL INFORMATION IS AVAILABLE IN THE LATEST D-SUB ACCESSORY PRODUCT PUBLICATION. VISIT [CONNECTPOSITRONIC.COM/PRODUCTS/58/D-SUBMINIATUREACCESSORIES](http://CONNECTPOSITRONIC.COM/PRODUCTS/58/D-SUBMINIATUREACCESSORIES) OR [CONNECTPOSITRONIC.COM](http://CONNECTPOSITRONIC.COM).
3. HOODS ARE COMPLIANT TO THE CURRENT ROHS DIRECTIVE.
4. DIMENSIONS ARE IN INCHES [MILLIMETERS].



**POSITRONIC INDUSTRIES INC.**  
[www.connectpositronic.com](http://www.connectpositronic.com)

FSCM 28198

DECIMAL TOL. ± 0.015 [0.38]	ANGULAR TOL. ± 5°	D SERIES	SCALE N.T.S.	DRAWN BY ME	DATE 11-2-11	DRAWING NUMBER SK12936	REV. A
TITLE D37000ANE0/AA		APPROVED BY COLB					