

## RAFIX 16 F, keylock switch, round collar, 1 x 40°, momentary contact function

DISCONTINUED



### Description

RAFIX control units are modular units consisting of several parts. In the RAFIX 16 product family, these always consist of an actuating element and a switching element. Actuating elements (such as key switches) have the specified tactility, reset and function only when assembled with the appropriate switching elements.

With RAFIX 16 actuating elements, you can choose between three collar shapes: round, square or square side-by-side, in which the pushbuttons can be lined up seamlessly. The mounting diameter is 16.2 mm according to the standard. The anti-rotation lug can be easily removed with a screwdriver if necessary.



### technical data

#### > general

Scope of delivery	2 keys
Bezel color	black
Property of bezel / mushroom	opaque
Collar color	metallic silver
Collar shape	round
Operating temperature, min.	-25 °C
Operating temperature, max.	70 °C
Storage temperature, min.	-40 °C
Storage temperature, max.	85 °C
illuminated	No
Packaging	Box
Packaging unit	10 pcs.
Net weight	30.7 g
Operating life	65,000 cycles
B10	84,500 cycles
Degree of protection, front side, according to DIN EN 60529	IP65
Environment resistance	IEC 60068-2-14 IEC 60068-2-30 IEC 60068-2-33 IEC 60068-2-78
Minimum order quantity (MOQ)	10 pcs.
RoHS compliant	Yes
REACH compliant	Yes

#### direct links

> [RAFI eCatalog](#)

The information in this data sheet only contains general descriptions and / or performance features, which may not apply precisely as described to the respective application, and which may change due to further product enhancements. The technical data, illustrations and other information about our products are the mere results of individual technical testing. These descriptions and other product features are only binding if they expressly agreed upon at the time of the conclusion of a binding contract. In all other cases, we reserve the right to make technical changes as well as changes of availability. Pictures and other graphic illustrations are approximations only. All product names may be trademarks or brand names of the RAFI Group or any other sub-supplier of RAFI. The use of such by any third parties for their own purposes may infringe the rights of the respective entity holding those rights.

date: May 23, 2026 page: 1/3

#### RAFI GmbH & Co. KG

Ravensburger Str. 128-134  
88276 Berg / Ravensburg  
Germany  
[www.rafi-group.com](http://www.rafi-group.com),  
[info.headquarters@rafi-group.com](mailto:info.headquarters@rafi-group.com)

Country of origin	HU
<b>&gt; mounting diameters</b>	
Outside dimension, length	28 mm
Outside dimension, width	28 mm
Outside dimension, height	48.4 mm
Mounting hole	22.3 mm
Mounting depth	50 mm
Installation height	24.1 mm
Grid, min.	30 x 30 mm
Collar dimension	ø 28 mm
<b>&gt; mechanical data</b>	
Fixing	Threaded ring
Actuation function	momentary contact function
Operating torque, max.	1.3 Nm
Threaded ring torque, max.	1.2 Nm
Rotating angle	1 x 40°
Locking	1
Key lock	Micromec

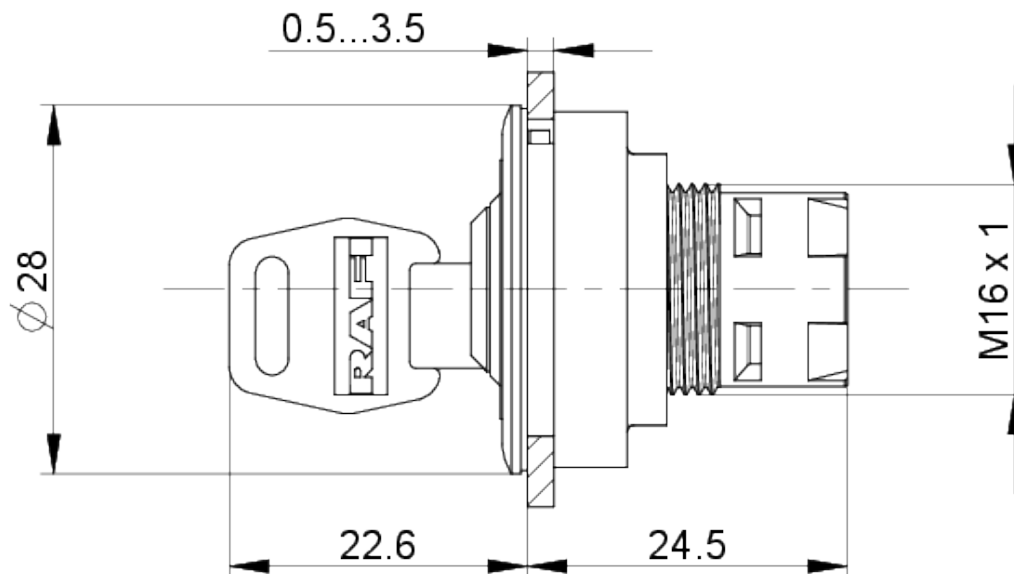
### Use according to UL:

RAFIX control devices are defined at RAFI as modular elements, consisting of an actuating element, if necessary a coupling and an individual contact or lighting unit.

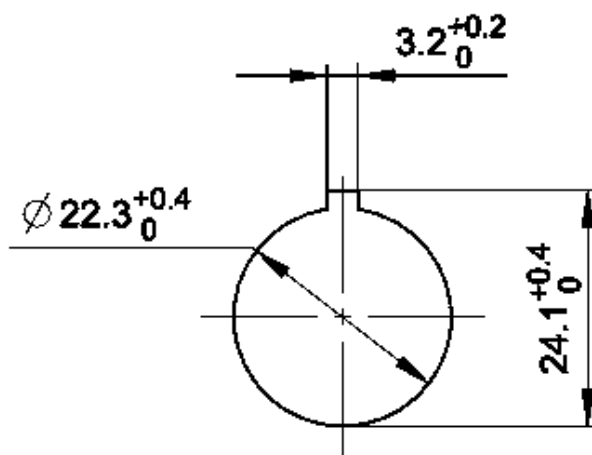
Actuating elements (such as pushbuttons, emergency stop actuators, etc.) have the intended tactility, reset and function only when assembled with the appropriate switching elements.

**drawings**

**Dimensioned drawing**



**Mounting hole drawing**



acc. to IEC 60947-5-1