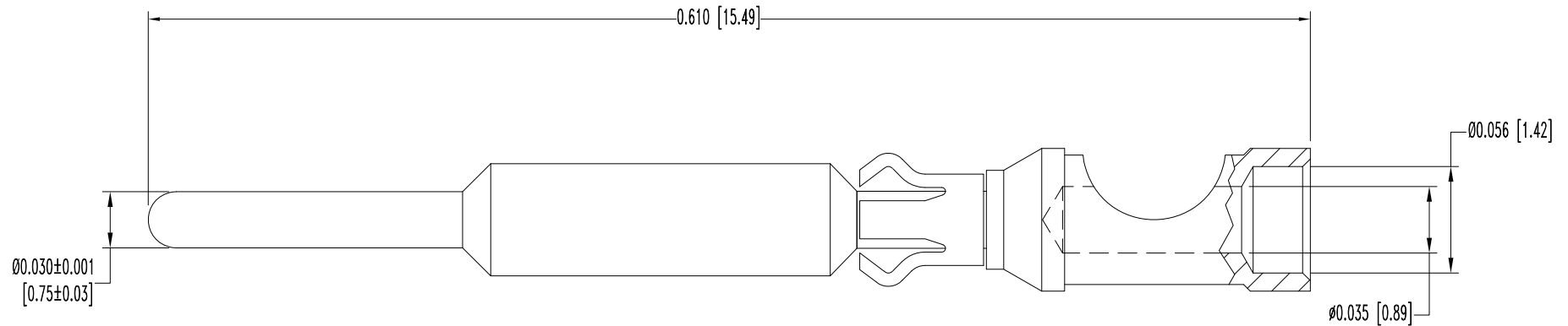


SK9417

POSITRONIC INDUSTRIES BELIEVES THE DATA ON THIS DRAWING TO BE RELIABLE. SINCE THE TECHNICAL INFORMATION IS GIVEN FREE OF CHARGE, THE USER EMPLOYS SUCH INFORMATION AT HIS OWN DISCRETION AND RISK. POSITRONIC INDUSTRIES ASSUMES NO RESPONSIBILITY FOR RESULTS OBTAINED OR DAMAGES INCURRED FROM USE OF SUCH INFORMATION IN WHOLE OR IN PART.

DATE	REV	REVISION RECORD	APP	DR	CK
5-9-08	NC	ECO 29379	RCW	YK	COLB



- NOTES:
- MATERIAL AND FINISHES:  
 CONTACT: COPPER ALLOY, 0.000015 [0.38μ] GOLD OVER NICKEL FINISH.  
 RETAINER: BERYLLIUM COPPER, GOLD FLASH OVER NICKEL FINISH.
  - ELECTRICAL CHARACTERISTICS:  
 INITIAL CONTACT RESISTANCE: 0.012 OHMS.  
 CONTACT CURRENT RATING: 5 AMPERES NOMINAL.
  - WORKING TEMPERATURE: -55°C TO 135°C.
  - CONTACTS ARE ROHS COMPLIANT PER ROHS DIRECTIVE 2002/95/EC OF 27 JAN 2003.
  - DIMENSIONS ARE IN INCHES [MILLIMETERS].

 <b>POSITRONIC INDUSTRIES INC.</b> www.connectpositronic.com		SCALE	DRAWN BY
		N.T.S.	YK
DECIMAL TOL.	SGMC SERIES	APPROVED BY R. WILLIAMS	
±0.015 [0.38]	TITLE	MS422N/AA	
ANGULAR TOL.	DATE	DRAWING NUMBER	REV.
±5°	5-9-08	SK9417	NC