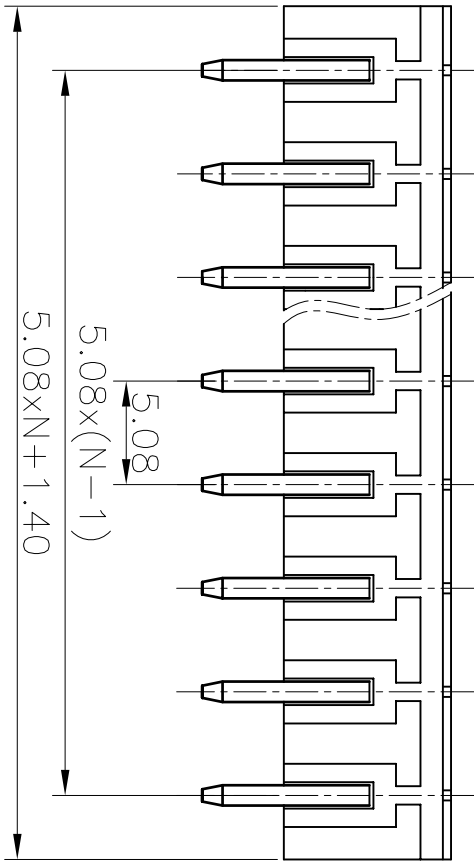
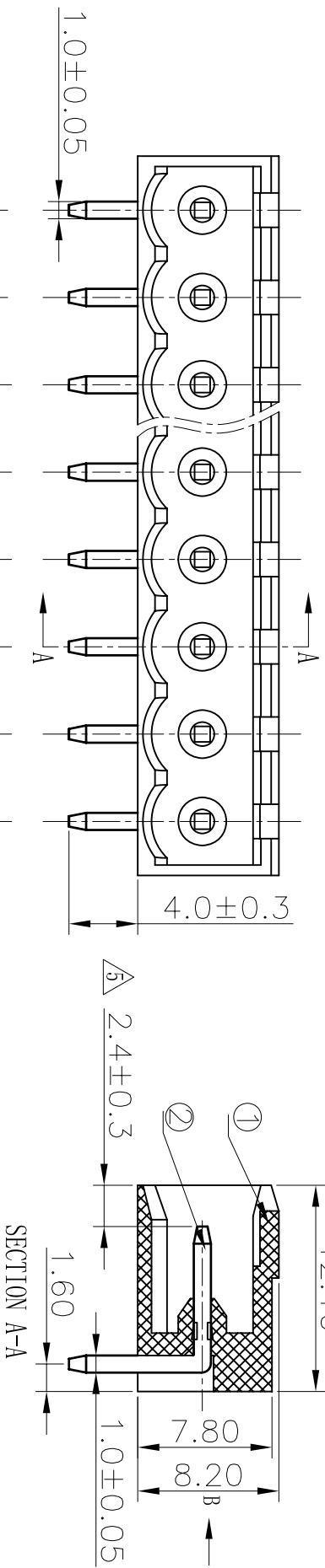


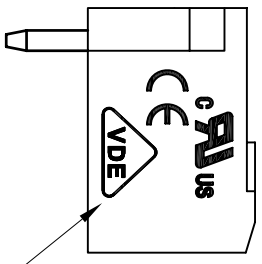
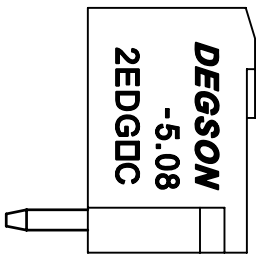
REVISION RECORD			
REV	ECO	DESCRIPTION	DATE
△		Drawing amend	04/21/08*
△		增加VDF、C刻字	02/27/08*
△		图面更新	03/28/08*
△		增加自动化方针	09/23/08*
△		增加标注尺寸	10/04/10*



VIEW B

- Notes:
1. Pitch: 5.08mm, poles: 2-24p
 2. Rated voltage/current: UL 300V/15A
VDE 320V/20A
 3. Operation temperatures: -40° C~+105° C
 4. Withstanding voltage: AC2000V/1Min
 5. Insulation resistance: 5000MΩ/DC1000V
 6. Undimensioned Tolerances:

Pitch range in mm	Nominal dimension range in mm	Symbol
over 6 to 10	over 30 to 60	—
over 10 to 24	over 60 to 100	⌒
over 24 to 30	over 100 to 150	□
over 30 to 60	over 150 to 300	□



DETACHED LISTS					
2	2EDGR-Pin header	△1008B00120 (H)	XX	Brass	Automatic assembly
2	2EDGR (A) Pin header	1008B00040 (H)	XX	Brass	Manual assembly
1	2EDGRC-5.08-Housing	1009A0YXXXA (H)	1	PA66	UL94V-0

ITEM	NAME OF PART	NO. OF PART	Q'TY	MATERIAL	NOTES
2	2EDGR-Pin header	△1008B00120 (H)	XX	Brass	Automatic assembly
2	2EDGR (A) Pin header	1008B00040 (H)	XX	Brass	Manual assembly
1	2EDGRC-5.08-Housing	1009A0YXXXA (H)	1	PA66	UL94V-0

UNIT	MM	(INCH)
TOLENCES EXCEPT AS NOTED	±	±
ANGLES ± 1°	±	±

DATE	DATE	DATE	DATE
08/23/05*			

NAME	DEGSON
2EDGRC-5.08-XXP-1Y-00A(H)	宁波高正电子有限公司 DEGSON ELECTRONICS CO., LTD

DRAWING NO.	REV	SIZE
2EDGRC-5.08-E06	13	A3

SCALE : 1:1

DO NOT SCALE DRAWING

SHEET 1 OF 1