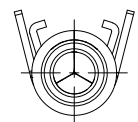
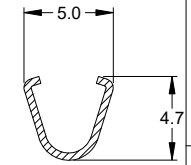
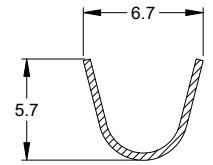
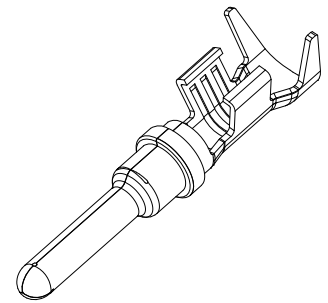
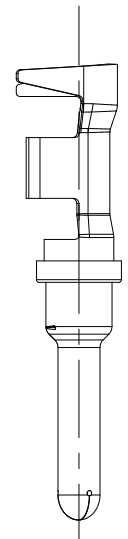
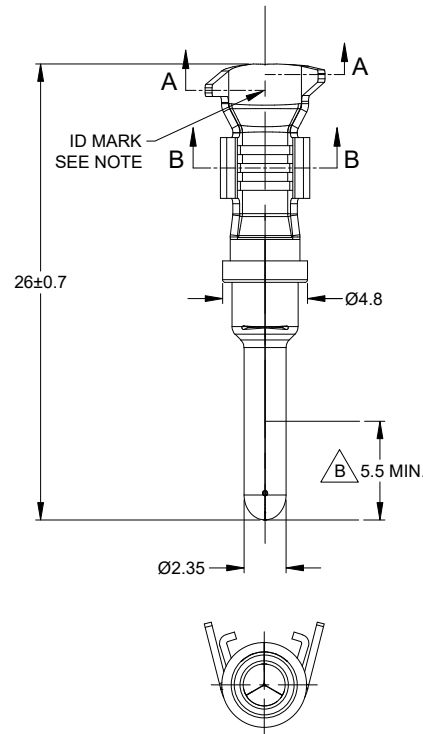
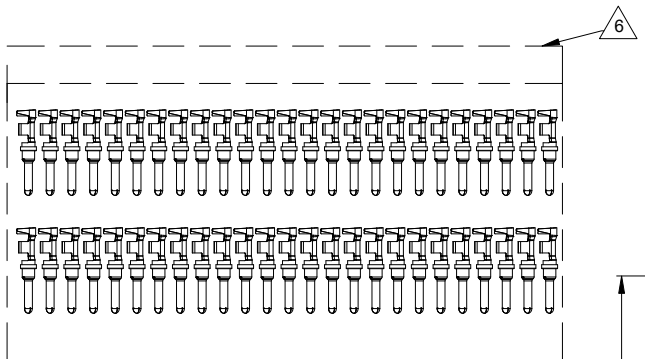


REVISIONS					
REV	ECO	DESCRIPTION	DATE	BY	APPR
A1	--	LOOSE PIECE RELEASE	20/AUG/24	CJF	-
A2	--	ADDED NOTE 9	09/DEC/25	CJF	-



NOTES: UNLESS OTHERWISE SPECIFIED

1. MATERIAL: COPPER ALLOY
2. PLATING: SEE PART NUMBER CHART
3. CONTACT SIZE: 12
4. SPECIFICATIONS:
 - 4.1 CURRENT RATING: 25 AMPS
 - 4.2 CONTACT MILLIVOLT DROP: 100 MILLIVOLT DROP @ 25 AMP TEST CURRENT.
 - 4.3 RoHS COMPLIANT
5. RECOMMENDED WIRE RANGE: 12 - 14 AWG (4.0 - 2.0MM²)
RECOMMENDED INSUL O.D.: 2.87 - 4.47MM (0.113 - 0.176INCH)
6. PACKAGE: 50 PCS
7. AVAILABLE HAND TOOL: ATT-12-00
8. ALL DIMENSIONS ARE FOR REFERENCE USE ONLY
9. ID MARK PRESENT OR NOT DETERMINES MANUFACTURER

PART NUMBER CHART		
PLATING	PART NUMBER	PLATING DESCRIPTION
NICKEL	AT60-12-0166-LP	SELECTIVE TIN OVER NICKEL OVERALL IN $\triangle A$ ZONE
GOLD	AT60-12-0144-LP	SELECTIVE GOLD FLASH OVER NICKEL OVERALL IN $\triangle B$ ZONE OR ENTIRE CONTACT
TIN	AT60-12-0177-LP	TIN OVER NICKEL OVERALL

SEE PART NUMBER CHART		REF: 1060-12-0144, 1060-12-0166	
PART NUMBER		DESCRIPTION	
QUANTITY	MATERIALS LIST		
UNLESS OTHERWISE SPECIFIED 1) All dimensions are in metric(mm) 2) Tolerances are as follows: 1 PL DEC ±0.30 Fractions ±1/64 2 PL DEC ±0.15 Angles ±1° 3 PL DEC ±0.08 3) Note reference = \triangle	SIGNATURES	DATE	<h2 style="text-align: center;">Amphenol</h2> <p style="text-align: center;">Sine Systems - www.amphenol-sine.com 44724 Morley Drive Clinton Township, MI 48036</p> <p style="text-align: center;">CONTACT, PIN, STAMPED, SIZE 12, 50PCS BAGGED, 12-14 AWG, A SERIES</p>
DRAWN: SULEN ZHANG	14/SEP/20		
CHECKED: ORION LI	15/SEP/20		
ENGINEER:			
MATERIAL SPECIFICATIONS:	APPROVAL: TOMMY XIE	16/SEP/20	
PROCESS SPECIFICATIONS:	THIS DRAWING IS SUPPLIED FOR INFORMATION ONLY. DESIGN FEATURES, SPECIFICATIONS AND PERFORMANCE DATA SHOWN HEREON ARE THE PROPERTY OF THE AMPHENOL CORPORATION. NO RIGHTS OF REPRODUCTION ARE IMPLIED. ALL DIMENSIONS ARE SUBJECT TO NORMAL MANUFACTURING VARIATIONS.		
NEXT ASSY:	SIZE	TYPE	DWG NO.
	B	C-	AT60-12-01XX-LP
	SCALE: NONE		REVISION
			A2
		SHEET 1	OF 1

TITLE: CONTACT, PIN, STAMPED, SIZE 12, 12-14 AWG, A SERIES
DWG NO.: AT60-12-01XX-LP
REV: A2
SH: 1
OF: 1