

8mm X 480mm LED LIGHT BAR

Features

Extra-Low Voltage (ELV) Device: 12VDC

30 LEDs per Board

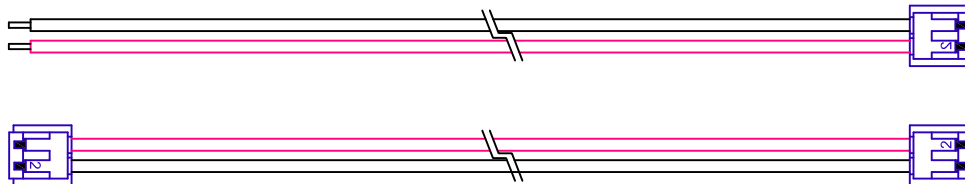
Cutable to Achieve Shorter Lengths



Maximum Ratings

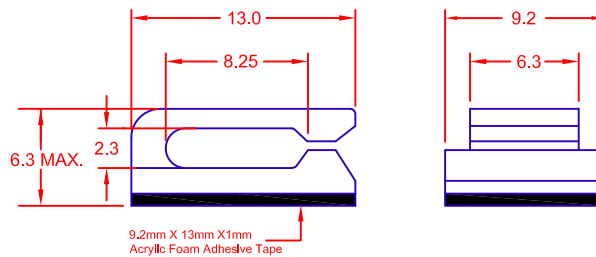
Parameter	Symbol	Rating	Units
Forward Current	IF	200	mA
Power Dissipation	PD	2.4	W
Electrostatic Discharge	ESD	800	V
Operating Temperature	Topr	-20~+65	°C
Storage Temperature	Tstg	-20~+80	°C

Mating Components



ZCH-200-I:
Solderless Input Connector

ZCH-101-J
Solderless Joiner Connector



ZRC-8B
Mounting Clip

ATTENTION



OBSERVE PRECAUTION
FOR HANDLING ELECTROSTATIC
DISCHARGE SENSITIVE DEVICES

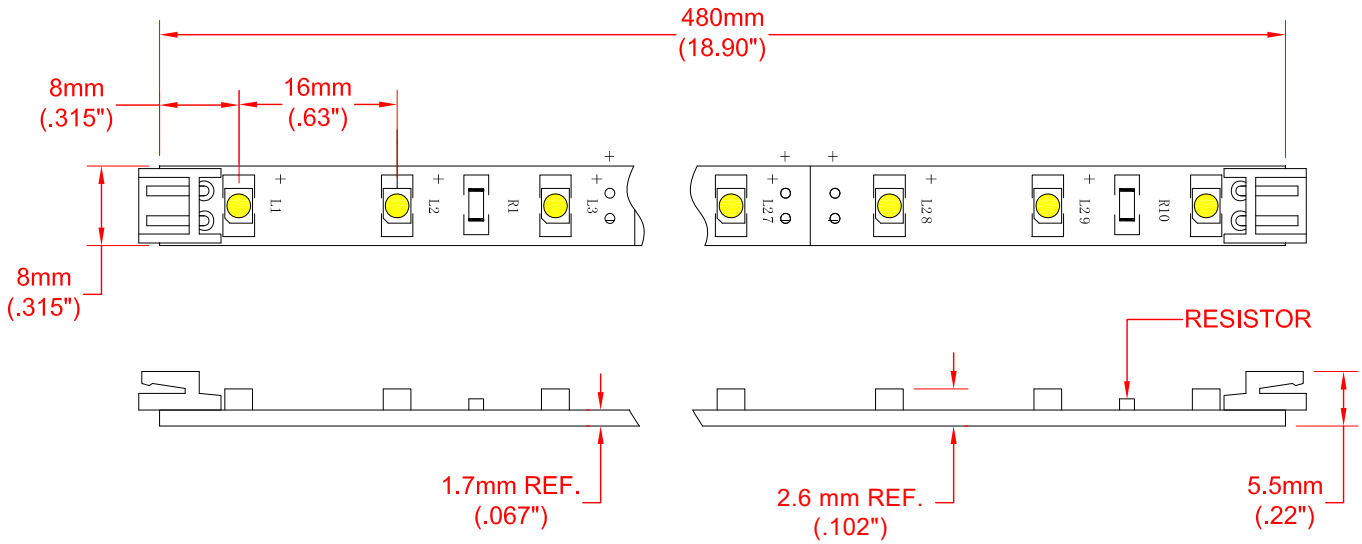
NOTE: Please refer to JKL Application Sheet JKL-AS-ZRS-LED-BARS for Installation and Power Recommendations.

JKL PART NO.: ZRS-8480 MULTI

METRIC 		DIMENSIONS ARE IN MILLIMETER (INCH) TOLERANCE UNLESS OTHERWISE SPECIFIED 1 PL +/- REF. 2 PL +/- ANGLE +/-		JKL COMPONENTS CORPORATION			
THIRD ANGLE PROJECTION		DRAWN BY: L. WENGSTROM APPV'D BY: S.C. DATE: 6/2/14		TITLE 8mm X 480mm LED LIGHT BAR			
- CAD DRAWING - MANUAL REVISIONS NOT PERMITTED		SCALE: NONE		SIZE: A FSCM NO.: 55335		DRAWING NO.: ZRS-8480 MULTI	
REV. NO.		DESCRIPTION/ECO NUMBER		RELEASE DATE: 9/12/11		REVISION DATE: 1/21/26 REV. NO.: C	
APPV'D DATE		DATE		DATE: 9/12/11		SHEET 1 OF 2	

8mm X 480mm LED LIGHT BAR

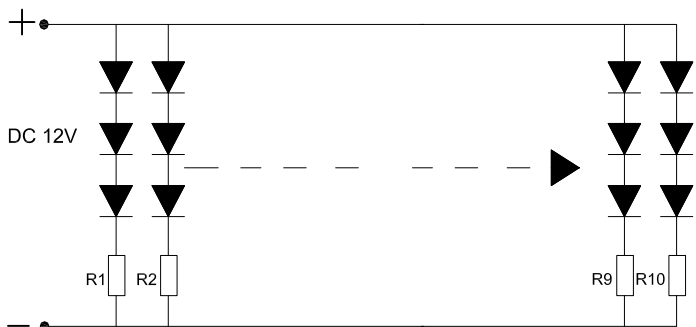
Dimensions



Electro-Optical Characteristics (Ta = 25°C)

JKL Part Number	Color	Number of LED's	Input Voltage (V DC)	Power (W)	Current (mA)	Radiance Angle	CCT (K)	Lumen Flux (lm)
ZRS-8480-CW	Cool White	30	12	2.4	200	120°	6000	90
ZRS-8480-NW	Neutral White	30	12	2.4	200	120°	4100	84
ZRS-8480-WW	Warm White	30	12	2.4	200	120°	3050	70

Circuit Diagram



CAUTIONS

DO NOT connect directly to line voltage. External power supply required.

For professional integration into low-voltage lighting systems.

JKL COMPONENTS CORPORATION

DRAWING NO.

ZRS-8480

RELEASED DATE

9/12/11

REVISION DATE

1/21/26

REV. NO. C

SHEET 2 OF 2