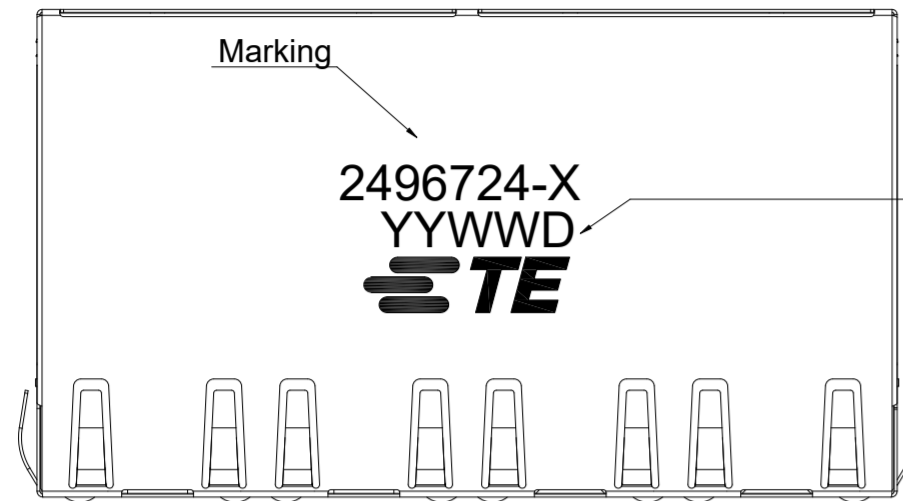


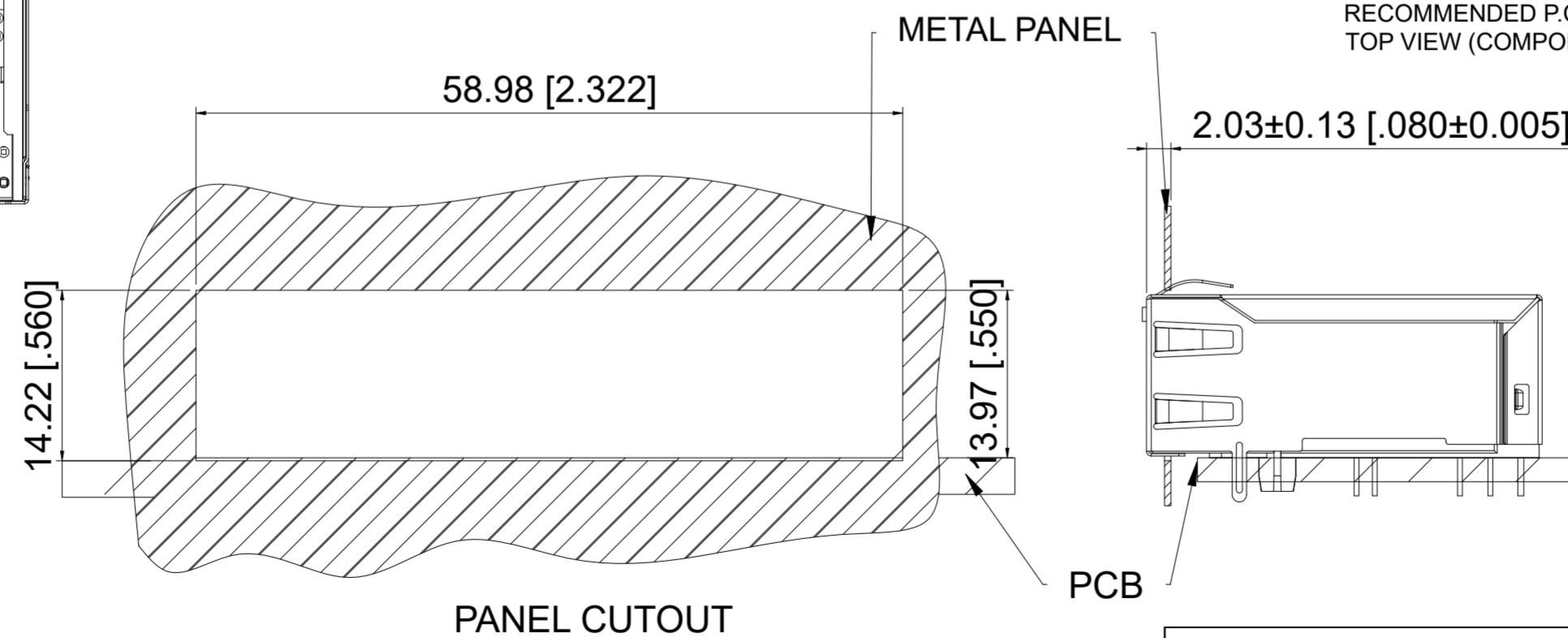
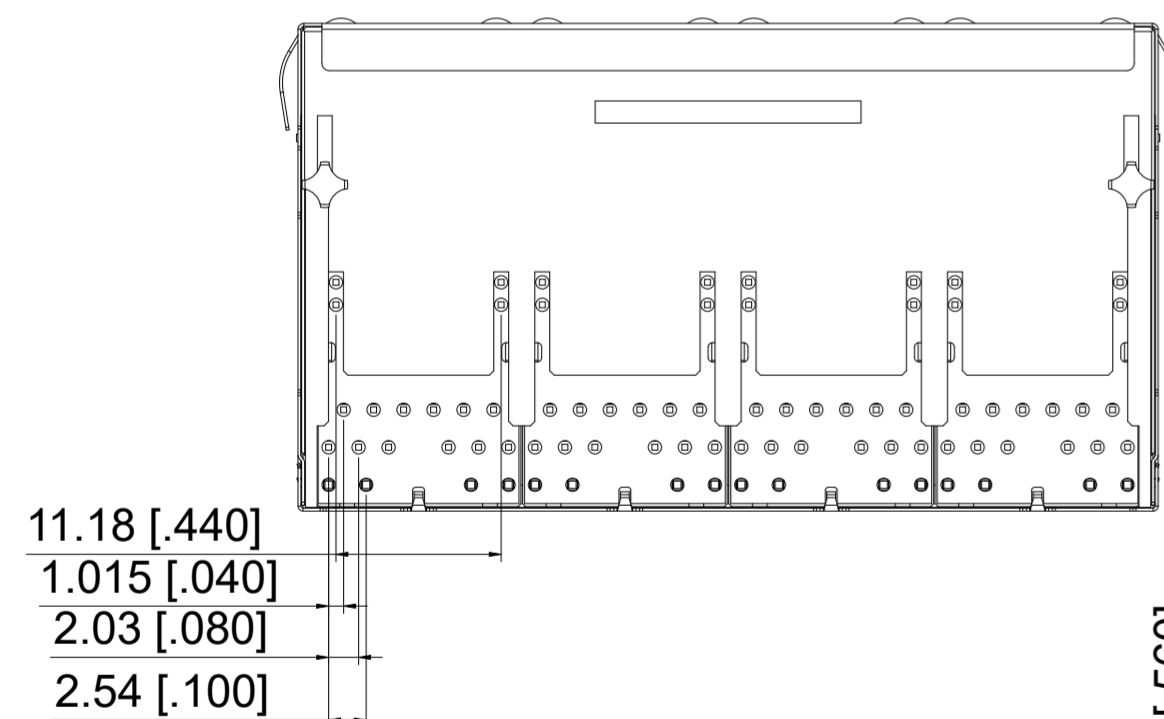
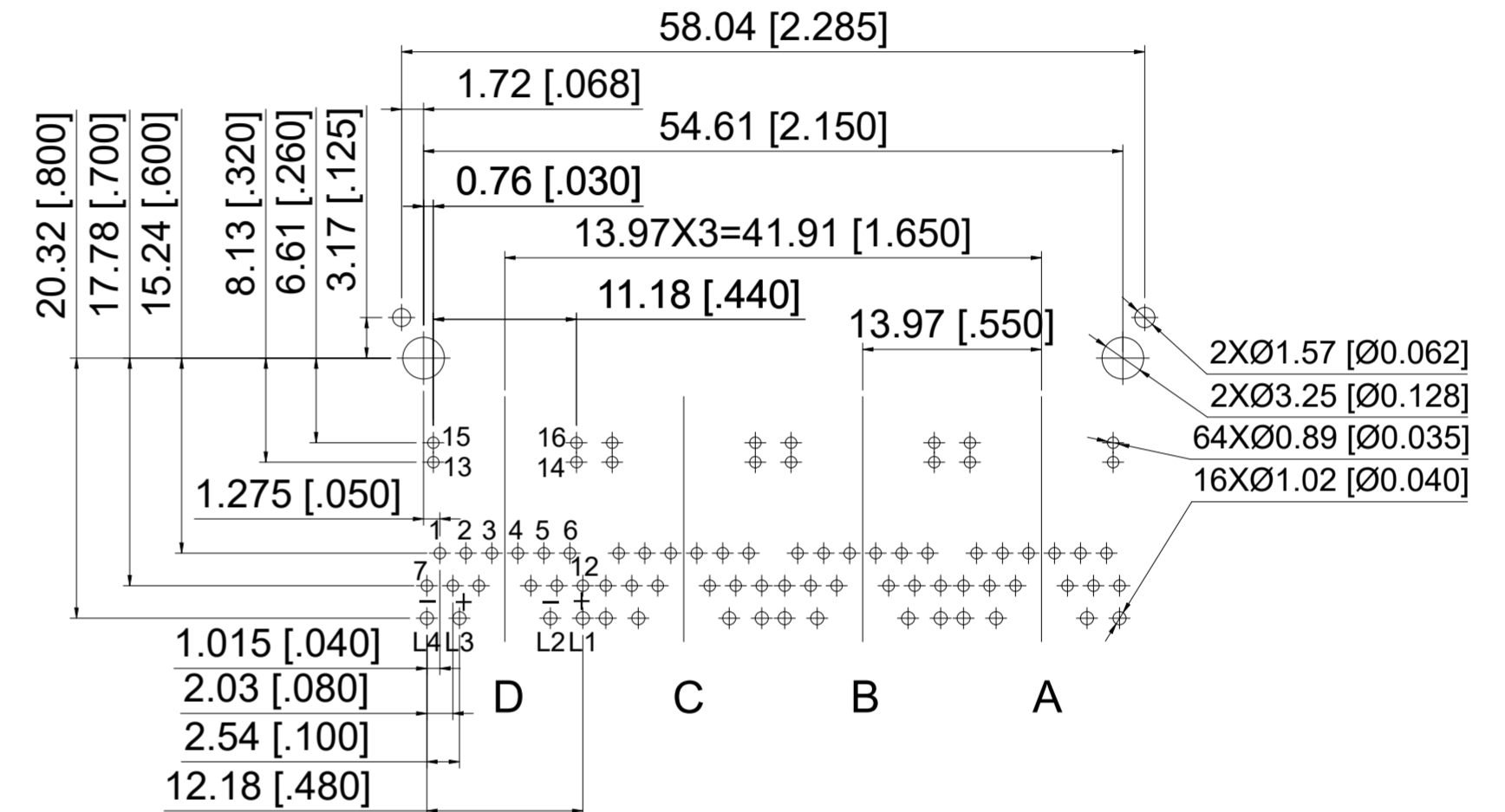
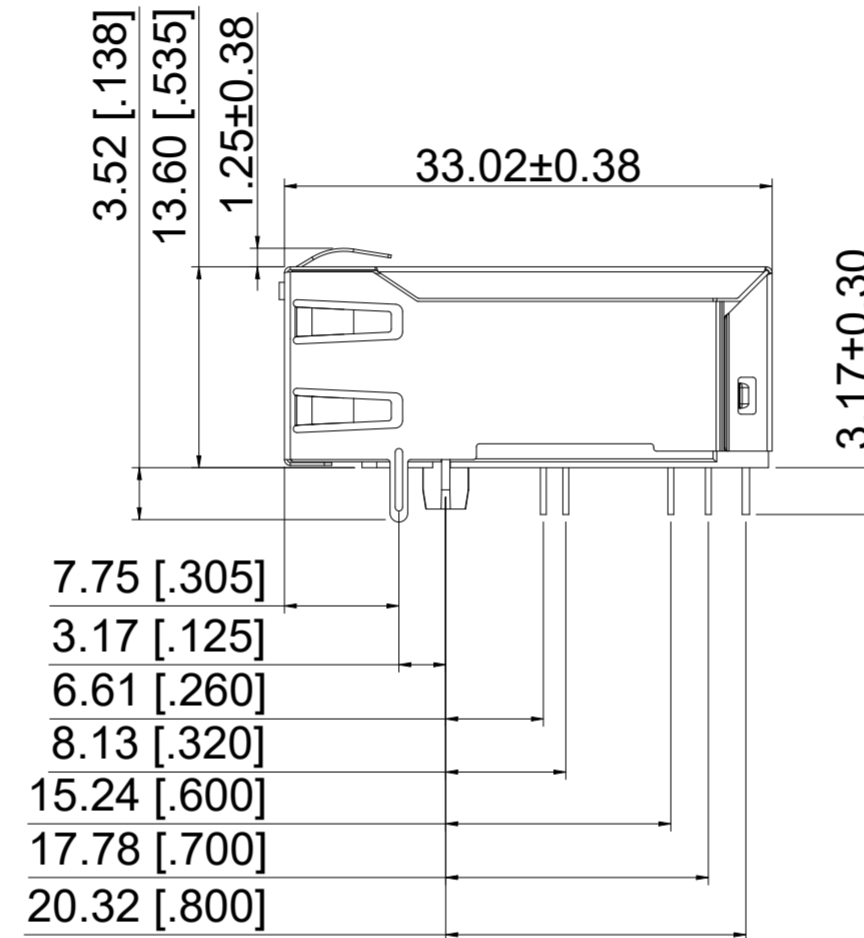
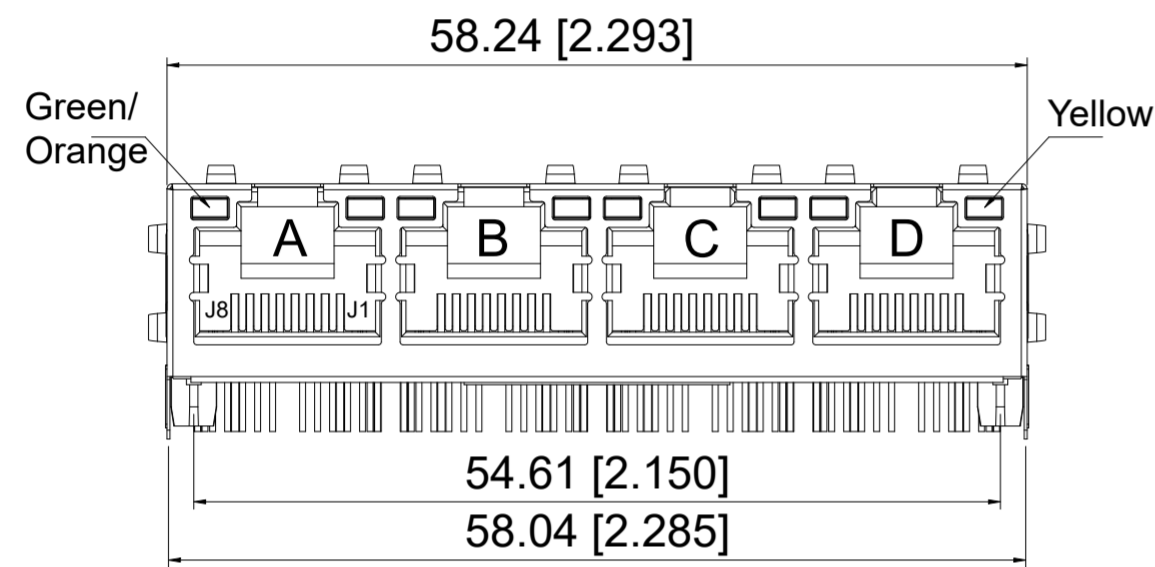
REVISIONS					
P	LTR	DESCRIPTION	DATE	DWN	APVD
A		REVISED PER ECN-25-301496	10JAN2025	TR	RCG



Note:
 X= 1,2,3,4,5,6
 YYWWD
 YY=YEAR
 WW=WEEK
 D=1 for Sunday - 7 for Saturday

NOTE :

- 1.HOUSING:GLASS FILLED PA46(BLACK) UL94V-0(RoHS)
- 2.CONTACT: PHOSPHOR BRONZE,50 MICROINCHES MIN. OVERALL DUCTILE NICKEL UNDERPLATE WITH (REFER PART NUMBER TABLE) GOLD AT MATING INTERFACE
- 3.SHIELD:0.2mm THICKNESS WITH BRASS
- 4.JACK CAVITY CONFORMS TO FCC RULES AND REGULATIONS PART 68 SUBPART F
- 5.THE PART IS RECOMMENDED FOR WAVE SOLDERING PROCESS PEAK SOLDERING TEMPERATURE IS 260°C MAX,10 SECS MAX.
- 6.OPERATING TEMPERATURE:-40°C TO +85°C.
STORAGE TEMPERATURE:-40°C TO +85°C.



RECOMMENDED P.C.B LAYOUT
TOP VIEW (COMPONENT SIDE)

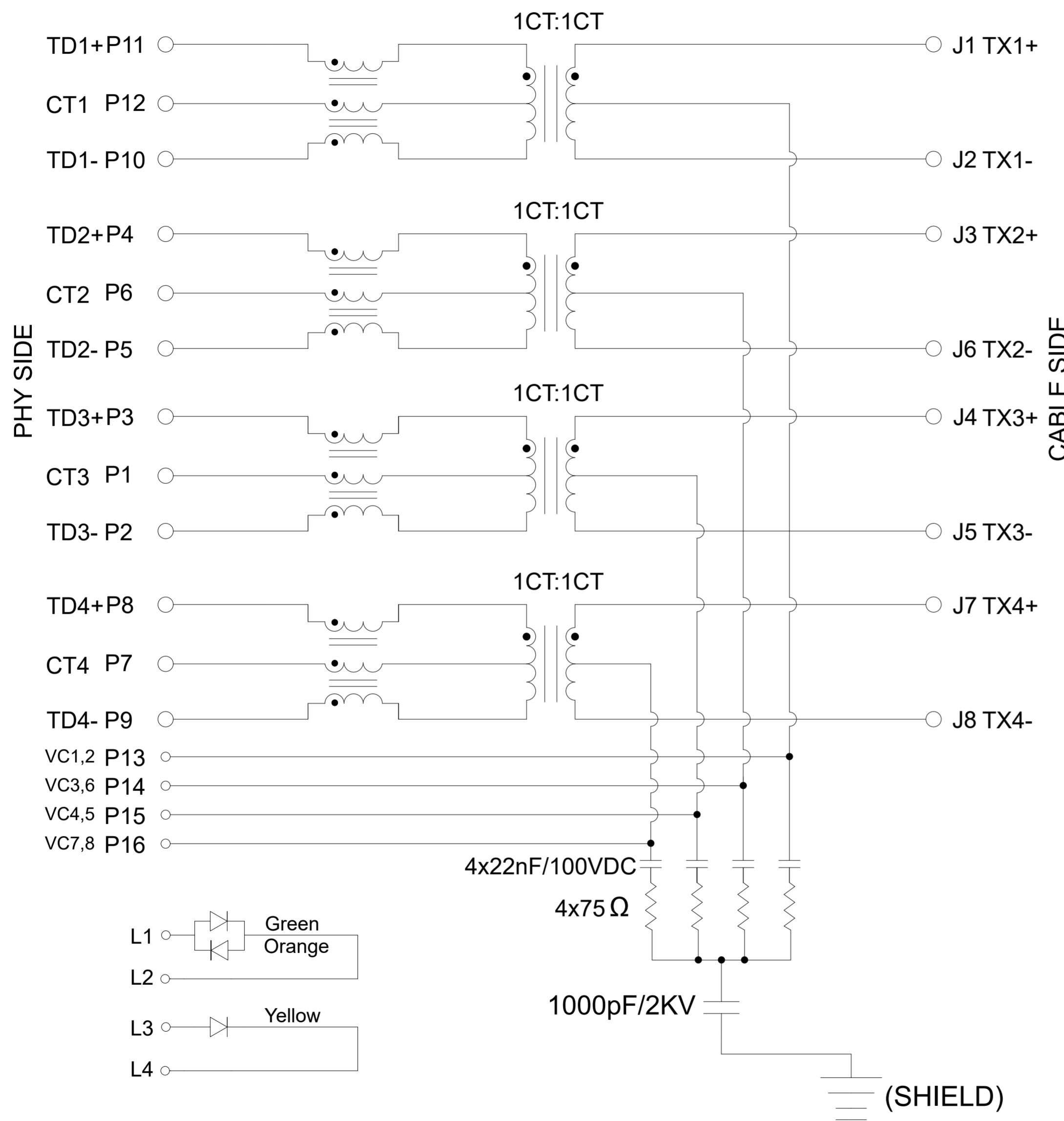
Dimension Tolerance:
PCB LAYOUT
Tolerances:±0.05[.002]

GF	2496724-6
0.0762 µm [3µ"]	2496724-5
0.1524 µm [6µ"]	2496724-4
0.381 µm [15µ"]	2496724-3
0.762 µm [30µ"]	2496724-2
1.27 µm [50µ"]	2496724-1
GOLD PLATING THICKNESS	PART NUMBER

THIS DRAWING IS A CONTROLLED DOCUMENT.		DWN TARUN, R 05NOV2024	TE Connectivity	
DIMENSIONS: mm [INCHES]		CHK RAMESH, KIVADER 05NOV2024	RJ45 W/MAGNET 1X4 10G POE 60W LED	
TOLERANCES UNLESS OTHERWISE SPECIFIED:		APVD RAGHAVAN, CG 05NOV2024	RESTRICTED TO	
0 PLC ± -	1 PLC ± 0.35	PRODUCT SPEC 108-161622	SIZE A2	CAGE CODE 00779
2 PLC ± 0.25	3 PLC ± 0.15	APPLICATION SPEC 114-161219	DRAWING NO C=2496724	REV A
4 PLC ± -	ANGLES ± 2°	WEIGHT -	SCALE 1:1	SHEET 1 of 2
MATERIAL -	FINISH -	CUSTOMER DRAWING		REV A

REVISIONS					
P	LTR	DESCRIPTION	DATE	DWN	APVD
-	-	SEE SHEET 1	-	-	-

Schematic



PARAMETER	SPECIFICATIONS
OPERATING TEMPERATURE	-40°C To +85°C
TURNS RATIO	1:1±2%
INDUCTANCE(OCL)	120uH MIN@100KHz/100mV With 15mA DC Bias For(Channel1/2/3/4)
INSERTION LOSS	-3.0dBMAX@1-500MHz;
RETURN LOSS	-22dBMIN@1-100MHz; -22+20.75xLOG(f/100)dBMIN@100-500MHz;
CROSSTALK (ADJACENT CHANNELS)	-28dBMIN@1-100MHz; -19dBMIN@100-500MHz;
COMMON MODE REJECTION RATIO	-30dBMIN@1-100MHz; -20dBMIN@100-500MHz;
COMMON MODE TO DIFFERENTIAL MODE ATTENUATION	-30dBMIN@1-250MHz; -20dBMIN@250-500MHz;
DC CURRENT/VOLTAGE RATING-PSE PINS	720mA MAXIMUM@57VDC(CONTINUOUS)
HI-POT	2250VDC@60 SECONDS(Channel1/2/3/4)

LED SPECIFICATION			
STANDARD LED	WAVELENGTH	Forward V(max)	TYP
GREEN	570nm	2.4V	2.2V
YELLOW	590nm	2.5V	2.1V
ORANGE	605nm	2.5V	2.1V

*WITH A FORWARD CURRENT OF 20mA

THIS DRAWING IS A CONTROLLED DOCUMENT.		DWN TARUN, R 05NOV2024		
DIMENSIONS: mm [INCHES]		CHK RAMESH, KIVADER 05NOV2024		
TOLERANCES UNLESS OTHERWISE SPECIFIED:		APVD RAGHAVAN, CG 05NOV2024	NAME RJ45 W/MAGNET 1X4 10G POE 60W LED	
0 PLC ± -		PRODUCT SPEC 108-161622	RESTRICTED TO	
1 PLC ± 0.35		APPLICATION SPEC 114-161219	SIZE A2	CAGE CODE 00779
2 PLC ± 0.25		WEIGHT -	DRAWING NO C=2496724	
3 PLC ± 0.15		FINISH -	SCALE 1:1	
4 PLC ± -		SHEET 2 OF 2		
ANGLES ± 2°		REV A		
MATERIAL -		CUSTOMER DRAWING		