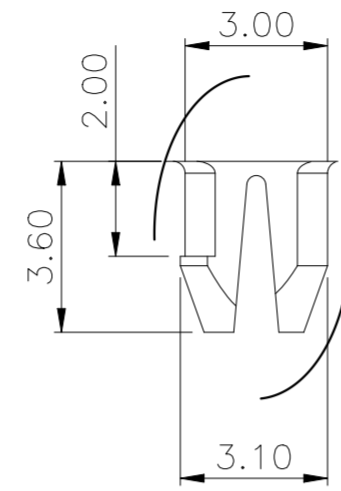
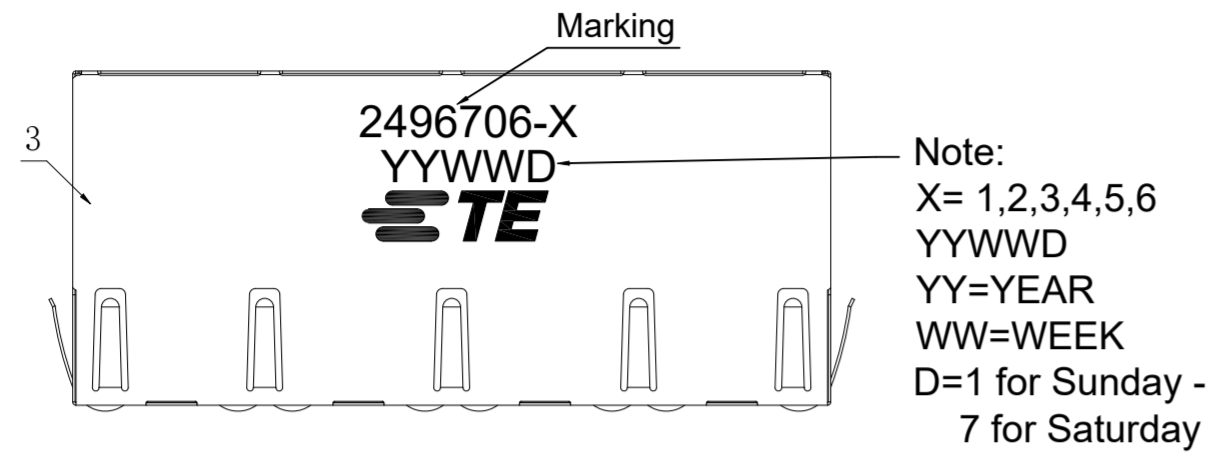
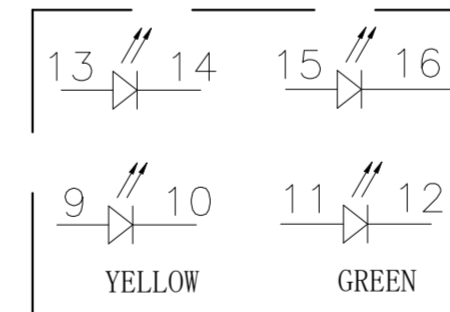
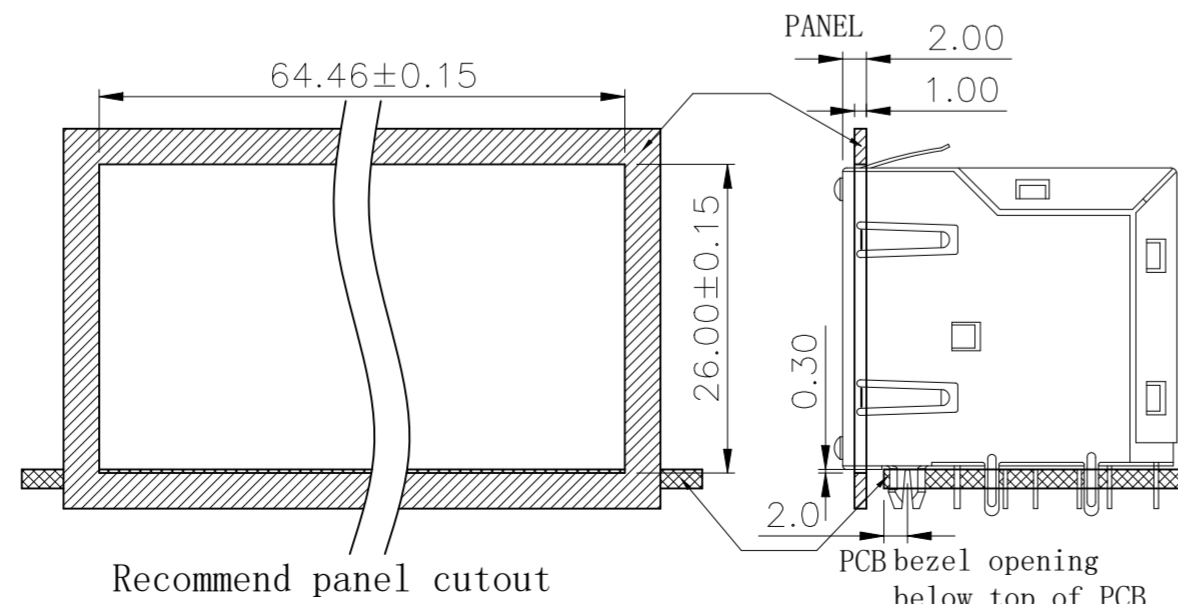
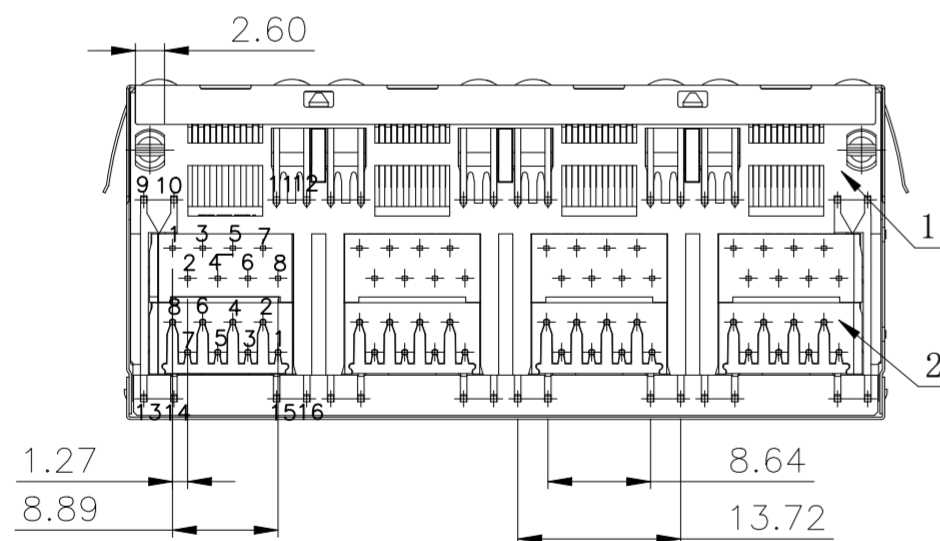
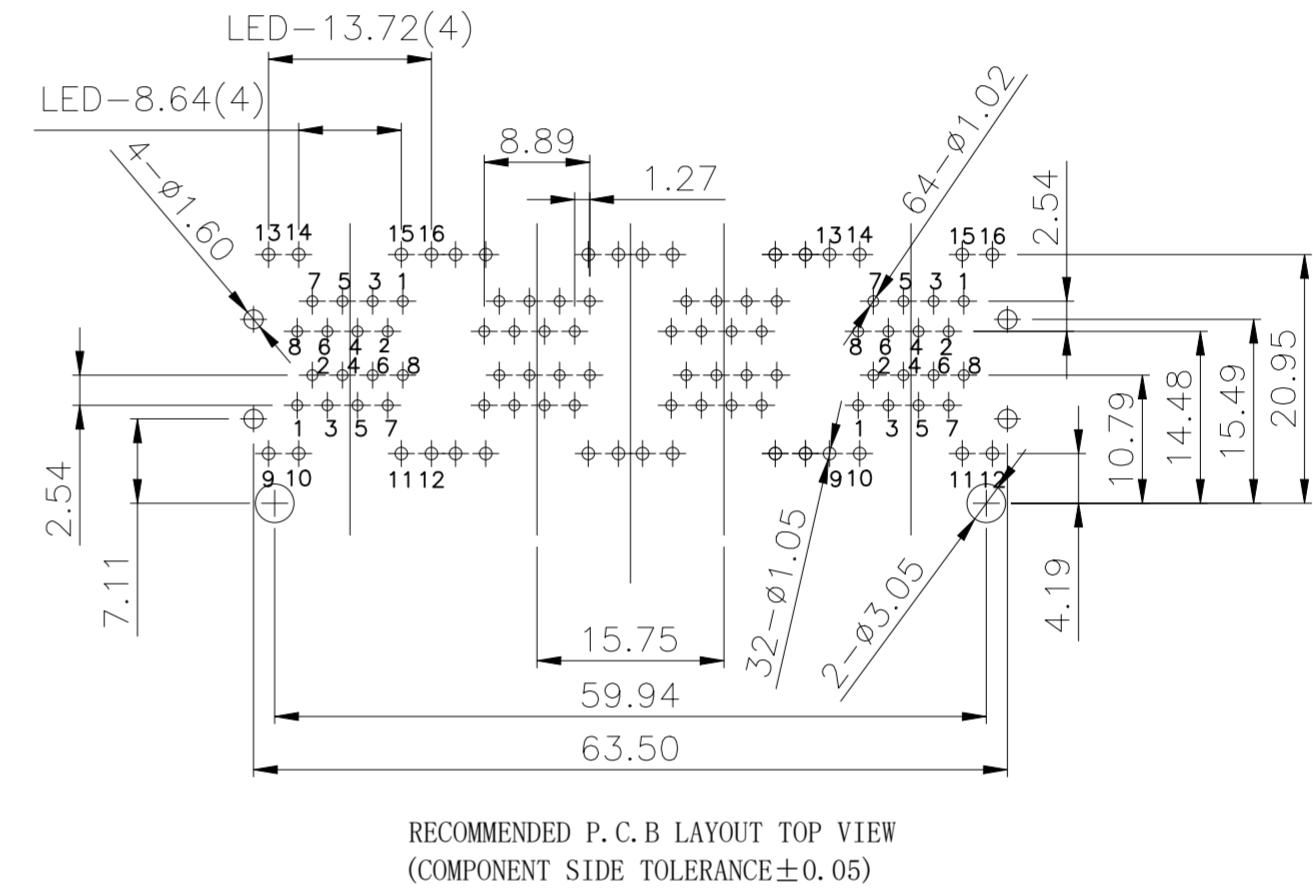
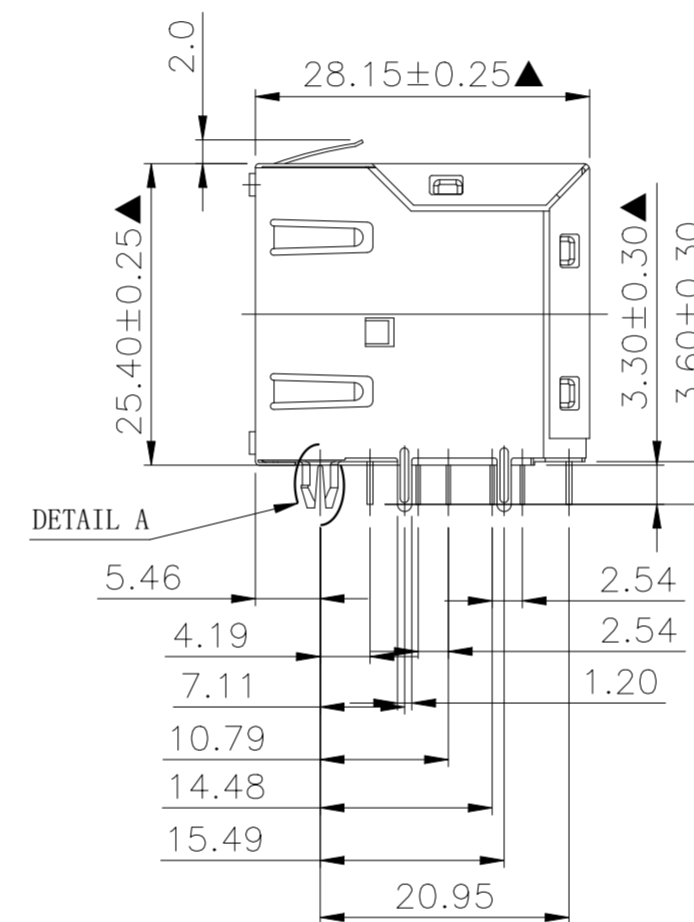
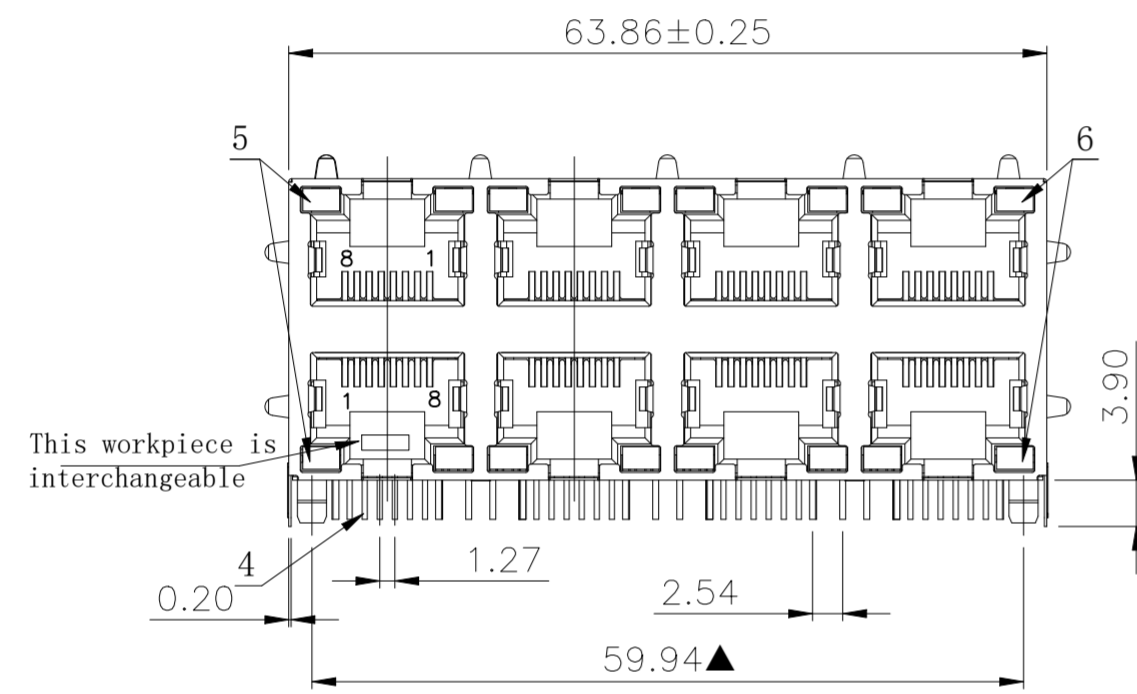


REVISIONS					
P	LTR	DESCRIPTION	DATE	DWN	APVD
A		REVISED PER ECN-25-302515	17JAN2025	TR	RCG



- NOTE:**
- Housing: Glass Filled NYLON46 BLACK UL94V-0 (RoHS).
 - Insert: Glass Filled PBT UL94V-0 (RoHS)
 - Shielding: Copper Alloy with Nickel Plated.
 - Contact: T0.35mm Phosphor Bronze (RoHS).
 - Led1: YELLOW (RoHS)
 - Led2: GREEN (RoHS)
- ※ Mates With Modular Plug Conforming To Fcc Part 68, Subpart F.
※ The Dimensions Marked "▲" Symbols Are Stand For Key Characteristics.



GF	2496706-6
0.0762 μm [3μ"]	2496706-5
0.1524 μm [6μ"]	2496706-4
0.381 μm [15μ"]	2496706-3
0.762 μm [30μ"]	2496706-2
1.27 μm [50μ"]	2496706-1
GOLD PLATING THICKNESS	PART NUMBER

THIS DRAWING IS A CONTROLLED DOCUMENT.		DWN	TARUN, R	28OCT2024	TE Connectivity	
DIMENSIONS: mm [INCHES]		CHK	RAMESH, KIVADER	30OCT2024	RJ45 W/O MAGNET 2X4 LED	
TOLERANCES UNLESS OTHERWISE SPECIFIED:		APVD	RAGHAVAN, CG	30OCT2024	-	
0 PLC	± -	PRODUCT SPEC	108-161621	-		
1 PLC	± 0.35	APPLICATION SPEC	114-161218	-		
2 PLC	± 0.25	WEIGHT	-	SIZE	A2	RESTRICTED TO
3 PLC	± 0.15	FINISH	-	CAGE CODE	00779	
4 PLC	± -	MATERIAL		DRAWING NO	C=2496706	
ANGLES	± 2°	MATERIAL		SCALE	1:1	
MATERIAL		FINISH		SHEET	1 of 1	
-		-		REV	A	
CUSTOMER DRAWING						