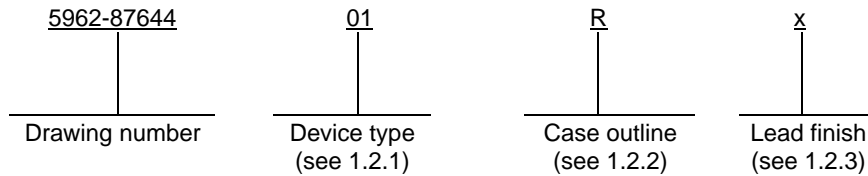




1. SCOPE

1.1 Scope. This drawing describes device requirements for MIL-STD-883 compliant, non-JAN class level B microcircuits in accordance with MIL-PRF-38535, appendix A.

1.2 Part or Identifying Number (PIN). The complete PIN is as shown in the following example:



1.2.1 Device type(s). The device type(s) identify the circuit function as follows:

<u>Device type</u>	<u>Generic number</u>	<u>Circuit function</u>
01	54FCT373	Non-inverting octal transparent latch with three state outputs, TTL compatible inputs
02	54FCT373A	Non-inverting octal transparent latch with three state outputs, TTL compatible inputs

1.2.2 Case outline(s). The case outline(s) are as designated in MIL-STD-1835 and as follows:

<u>Outline letter</u>	<u>Descriptive designator</u>	<u>Terminals</u>	<u>Package style</u>
R	GDIP1-T20 or CDIP2-T20	20	Dual-in-line
S	GDFP2-F20 or CDFP3-F20	20	Flat pack
2	CQCC1-N20	20	Square leadless chip carrier

1.2.3 Lead finish. The lead finish is as specified in MIL-PRF-38535, appendix A.

1.3 Absolute maximum ratings. 1/ 2/

Supply voltage range ( $V_{CC}$ ) .....	-0.5 V dc to + 6.0 V dc
DC input voltage range ( $V_{IN}$ ) .....	-0.5 V dc to $V_{CC} + 0.5$ V dc
DC output voltage range ( $V_{OUT}$ ) .....	-0.5 V dc to $V_{CC} + 0.5$ V dc
DC input diode current ( $I_{IK}$ ) .....	-20 mA
DC output diode current ( $I_{OK}$ ) .....	-50 mA
DC output current ( $I_{OUT}$ ) .....	$\pm 100$ mA
Storage temperature range ( $T_{STG}$ ) .....	-65°C to +150°C
Maximum power dissipation ( $P_D$ ) .....	500 mW <u>3/</u>
Lead temperature (soldering, 10 seconds) .....	+300°C
Thermal resistance, junction-to-case ( $\theta_{JC}$ ) .....	See MIL-STD-1835
Junction temperature ( $T_J$ ) .....	+175°C

1.4 Recommended operating conditions. 2/

Supply voltage range ( $V_{CC}$ ) .....	+4.5 V dc to 5.5 V dc
Maximum low level input voltage ( $V_{IL}$ ) .....	0.8 V
Minimum high level input voltage ( $V_{IH}$ ) .....	2.0 V
Case operating temperature range ( $T_C$ ) .....	-55°C to +125°C

- 1/ Stresses above the absolute maximum rating may cause permanent damage to the device. Extended operation at the maximum levels may degrade performance and affect reliability.
- 2/ Unless otherwise specified, all voltages are referenced to ground.
- 3/ Maximum power dissipation must be able to withstand the added power dissipation due to short circuit testing, e.g., los.

<b>STANDARD MICROCIRCUIT DRAWING</b> DLA LAND AND MARITIME COLUMBUS, OHIO 43218-3990	SIZE <b>A</b>		<b>5962-87644</b>  REVISION LEVEL <b>F</b>  SHEET <b>2</b>
--	------------------	--	---

## 2. APPLICABLE DOCUMENTS

2.1 Government specification, standards, and handbooks. The following specification, standards, and handbooks form a part of this drawing to the extent specified herein. Unless otherwise specified, the issues of these documents are those cited in the solicitation or contract.

### DEPARTMENT OF DEFENSE SPECIFICATION

MIL-PRF-38535 - Integrated Circuits Manufacturing, General Specification for.

### DEPARTMENT OF DEFENSE STANDARDS

MIL-STD-883 - Test Method Standard Microcircuits.  
MIL-STD-1835 - Interface Standard Electronic Component Case Outlines.

### DEPARTMENT OF DEFENSE HANDBOOKS

MIL-HDBK-103 - List of Standard Microcircuit Drawings.  
MIL-HDBK-780 - Standard Microcircuit Drawings.

(Copies of these documents are available online at <https://quicksearch.dla.mil/>.)

2.2 Order of precedence. In the event of a conflict between the text of this drawing and the references cited herein, the text of this drawing takes precedence. Nothing in this document, however, supersedes applicable laws and regulations unless a specific exemption has been obtained.

## 3. REQUIREMENTS

3.1 Item requirements. The individual item requirements shall be in accordance with MIL-PRF-38535, appendix A for non-JAN class level B devices and as specified herein. Product built to this drawing that is produced by a Qualified Manufacturer Listing (QML) certified and qualified manufacturer or a manufacturer who has been granted transitional certification to MIL-PRF-38535 may be processed as QML product in accordance with the manufacturers approved program plan and qualifying activity approval in accordance with MIL-PRF-38535. This QML flow as documented in the Quality Management (QM) plan may make modifications to the requirements herein. These modifications shall not affect form, fit, or function of the device. These modifications shall not affect the PIN as described herein. A "Q" or "QML" certification mark in accordance with MIL-PRF-38535 is required to identify when the QML flow option is used.

3.2 Design, construction, and physical dimensions. The design, construction, and physical dimensions shall be as specified in MIL-PRF-38535, appendix A and herein.

3.2.1 Case outlines. The case outlines shall be in accordance with 1.2.2 herein.

3.2.2 Terminal connections. The terminal connections shall be as specified on figure 1.

3.2.3 Truth table. The truth table shall be as specified on figure 2.

3.2.4 Logic diagram. The logic diagram shall be as specified on figure 3.

3.2.5 Switching waveforms and test circuit. The switching waveforms and test circuit shall be as specified on figure 4.

<b>STANDARD MICROCIRCUIT DRAWING</b> DLA LAND AND MARITIME COLUMBUS, OHIO 43218-3990	SIZE <b>A</b>		<b>5962-87644</b>
		REVISION LEVEL <b>F</b>	SHEET <b>3</b>

3.3 Electrical performance characteristics. Unless otherwise specified herein, the electrical performance characteristics are as specified in table I and shall apply over the full case or ambient operating temperature range.

3.4 Electrical test requirements. The electrical test requirements shall be the subgroups specified in table II. The electrical tests for each subgroup are described in table I.

3.5 Marking. Marking shall be in accordance with MIL-PRF-38535, appendix A. The part shall be marked with the PIN listed in 1.2 herein. In addition, the manufacturer's PIN may also be marked. For packages where marking of the entire SMD PIN number is not feasible due to space limitations, the manufacturer has the option of not marking the "5962-" on the device.

3.5.1 Certification/compliance mark. A compliance indicator "C" shall be marked on all non-JAN devices built in compliance to MIL-PRF-38535, appendix A. The compliance indicator "C" shall be replaced with a "Q" or "QML" certification mark in accordance with MIL-PRF-38535 to identify when the QML flow option is used.

3.6 Certificate of compliance. A certificate of compliance shall be required from a manufacturer in order to be listed as an approved source of supply in MIL-HDBK-103 (see 6.6 herein). The certificate of compliance submitted to DLA Land and Maritime -VA prior to listing as an approved source of supply shall affirm that the manufacturer's product meets the requirements of MIL-PRF-38535, appendix A and the requirements herein.

3.7 Certificate of conformance. A certificate of conformance as required in MIL-PRF-38535, appendix A shall be provided with each lot of microcircuits delivered to this drawing.

3.8 Notification of change. Notification of change to DLA Land and Maritime -VA shall be required for any change that affects this drawing.

3.9 Verification and review. DLA Land and Maritime, DLA Land and Maritime's agent, and the acquiring activity retain the option to review the manufacturer's facility and applicable required documentation. Offshore documentation shall be made available onshore at the option of the reviewer.

<b>STANDARD MICROCIRCUIT DRAWING</b> DLA LAND AND MARITIME COLUMBUS, OHIO 43218-3990	SIZE <b>A</b>		<b>5962-87644</b>
		REVISION LEVEL <b>F</b>	SHEET <b>4</b>

TABLE I. Electrical performance characteristics.

Test and MIL-STD-883 test method <u>1/</u>	Symbol	Test conditions -55°C ≤ T <sub>C</sub> ≤ +125°C 4.5 V ≤ V <sub>CC</sub> ≤ 5.5 V unless otherwise specified		Device type	Group A subgroups	Limits <u>2/</u>		Unit
						Min	Max	
High-level output voltage 3006	V <sub>OH</sub>	V <sub>IH</sub> = 2.0 V, V <sub>IL</sub> = 0.8 V V <sub>CC</sub> = 4.5 V	I <sub>OH</sub> = -300 μA	All	1, 2, 3	4.3		V
		V <sub>IH</sub> = 2.0 V, V <sub>IL</sub> = 0.8 V V <sub>CC</sub> = 4.5 V	I <sub>OH</sub> = -12 mA			2.4		
Low-level output voltage 3007	V <sub>OL</sub>	V <sub>IH</sub> = 2.0 V, V <sub>IL</sub> = 0.8 V V <sub>CC</sub> = 3.0 V	I <sub>OL</sub> = 300 μA	All	1, 2, 3		0.2	
		V <sub>IN</sub> = 2.0 V or 0.8 V V <sub>CC</sub> = 4.5 V	I <sub>OL</sub> = 32 mA				0.5	
Input clamp voltage	V <sub>IK</sub>	V <sub>CC</sub> = 4.5 V, I <sub>IN</sub> = -18 mA		All			-1.2	V
Input leakage current high 3010	I <sub>IH</sub>	V <sub>IN</sub> = 5.5 V	V <sub>CC</sub> = 5.5 V	All	1, 2, 3		5.0	μA
Input leakage current low 3009	I <sub>IL</sub>	V <sub>IN</sub> = 0.0 V	V <sub>CC</sub> = 5.5 V	All	1, 2, 3		-5.0	μA
Three-state output leakage current high 3021	I <sub>OZH</sub>	V <sub>IN</sub> = 5.5 V	V <sub>CC</sub> = 5.5 V	All	1, 2, 3		10.0	μA
Three-state output leakage current low 3020	I <sub>OZL</sub>	V <sub>IN</sub> = GND	V <sub>CC</sub> = 5.5 V				-10.0	
Short circuit output current	I <sub>OS</sub> <u>3/</u>	V <sub>CC</sub> = 5.5 V		All	1, 2, 3	-60		mA
Quiescent supply current 3005	I <sub>CCQ</sub>	V <sub>IN</sub> ≤ 0.2 V or ≥ 5.3 V V <sub>CC</sub> = 5.5 V f <sub>IN</sub> = 0.0 MHz		All	1, 2, 3		1.5	mA
Quiescent supply delta, TTL input levels 3005	ΔI <sub>CC</sub> <u>4/</u>	V <sub>CC</sub> = 5.5 V V <sub>IN</sub> = 3.4 V		All	1, 2, 3		2.0	mA
Dynamic power supply current	I <sub>CCD</sub> <u>5/</u>	V <sub>CC</sub> = 5.5 V, $\overline{OE}$ = GND One bit toggling, 50% duty cycle V <sub>IN</sub> ≥ 5.3 V or V <sub>IN</sub> ≤ 0.2 V Outputs open, LE = V <sub>CC</sub>		All	1, 2, 3		0.25	mA/MHz
Total power supply current	I <sub>CCT</sub> <u>6/ 7/</u>	V <sub>CC</sub> = 5.5 V, outputs open f <sub>IN</sub> = 10 MHz 50% duty cycle		All	1, 2, 3		4.0	mA
		One bit toggling $\overline{OE}$ = GND, LE = V <sub>CC</sub>		All	1, 2, 3		5.6	
Input capacitance 3012	C <sub>IN</sub>	See 4.3.1c		All	4		10.0	pF
Output capacitance 3012	C <sub>OUT</sub>	See 4.3.1c		All	4		12.0	pF

See footnotes at end of table.

**STANDARD  
MICROCIRCUIT DRAWING**  
DLA LAND AND MARITIME  
COLUMBUS, OHIO 43218-3990

SIZE  
**A**

REVISION LEVEL  
**F**

**5962-87644**

SHEET **5**

TABLE I. Electrical performance characteristics – Continued.

Test and MIL-STD-883 test method <u>1/</u>	Symbol	Test conditions -55°C ≤ T <sub>C</sub> ≤ +125°C 4.5 V ≤ V <sub>CC</sub> ≤ 5.5 V unless otherwise specified	Device type	Group A subgroups	Limits <u>2/</u>		Unit
					Min	Max	
Functional tests 3014		See 4.3.1d	All	7, 8	L	H	
Propagation delay time, Dn to On 3003	t <sub>PHL1</sub> , t <sub>PLH1</sub> <u>8/</u>	C <sub>L</sub> = 50 pF R <sub>L</sub> = 500Ω See figure 4	01	9, 10, 11	1.5	8.5	ns
			02		1.5	5.6	
Propagation delay time, LE to On 3003	t <sub>PHL2</sub> , t <sub>PLH2</sub> <u>8/</u>		01	9, 10, 11	2.0	15.0	ns
			02		2.0	9.8	
Propagation delay time, output enable, $\overline{OE}$ to On 3003	t <sub>PZH</sub> , t <sub>PZL</sub> <u>8/</u>		01	9, 10, 11	1.5	13.5	ns
			02		1.5	7.5	
Propagation delay time, output disable, $\overline{OE}$ to On 3003	t <sub>PHZ</sub> , t <sub>PLZ</sub> <u>8/</u>		01	9, 10, 11	1.5	12.5	ns
			02		1.5	6.5	
Setup time, high or low, Dn to LE	t <sub>s</sub>		01	9, 10, 11	2.0		ns
			02		2.0		
Hold time, high or low, Dn to LE	t <sub>h</sub>	01	9, 10, 11	3.0		ns	
		02		1.5			
Pulse width, high or low, LE	t <sub>w</sub>	01	9, 10, 11	6.0		ns	
		02		6.0			

- 1/ For tests not listed in the referenced MIL-STD-883 (e.g. ΔI<sub>CC</sub>), utilize the general test procedure under the conditions listed herein. All inputs and outputs shall be tested, as applicable, to the tests in table I herein.
- 2/ For negative and positive voltage and current values, the sign designates the potential difference in reference to GND and the direction of current flow, respectively; and the absolute value of the magnitude, not the sign, is relative to the minimum and maximum limits, as applicable, listed herein.
- 3/ Not more than one output should be shorted at one time, and the duration of the short circuit condition should not exceed one second.
- 4/ TTL driven input (V<sub>IN</sub> = 3.4 V); all other inputs at V<sub>CC</sub> or GND.
- 5/ This parameter is not directly testable but is derived for use in total power supply calculations.
- 6/ I<sub>CC</sub> = I<sub>CCQ</sub> + (ΔI<sub>CC</sub> × D<sub>H</sub> × N<sub>T</sub>) + (I<sub>CCD</sub> × f<sub>i</sub> × N<sub>i</sub>) where:  
 D<sub>H</sub> = Duty cycle for TTL inputs high  
 N<sub>T</sub> = Number of TTL inputs at D<sub>H</sub>  
 f<sub>i</sub> = Input frequency in MHz  
 N<sub>i</sub> = Number of inputs at f<sub>i</sub>
- 7/ For I<sub>CC</sub> test in an ATE environment, the effect of parasitic output capacitive loading from the test environment must be taken into account, as its effect is not intended to be included in the test results. The impact must be characterized and appropriate offset factors must be applied to the test result.
- 8/ The minimum limits are guaranteed, if not tested, to the limits specified in table I.
- 9/ The Vendor PIN devices (54FCT373DMQB, 54FCT373FMQB and 54FCT373LMQB) tested of total power supply current (I<sub>CC</sub>T) and meet limit, I<sub>CC</sub>T = 5.5 mA at V<sub>IN</sub> ≥ 5.3 V or V<sub>IN</sub> ≤ 0.2 V, and I<sub>CC</sub>T = 6.0 mA at V<sub>IN</sub> ≥ 3.4 V or V<sub>IN</sub> = GND; although table I stated I<sub>CC</sub>T = 4.0 mA and 5.6 mA.

<b>STANDARD MICROCIRCUIT DRAWING</b> DLA LAND AND MARITIME COLUMBUS, OHIO 43218-3990	SIZE <b>A</b>		<b>5962-87644</b>
		REVISION LEVEL <b>F</b>	SHEET <b>6</b>

Device type	All
Case outlines	R, S, and 2
Terminal number	Terminal symbol
1	$\overline{OE}$
2	O0
3	D0
4	D1
5	O1
6	O2
7	D2
8	D3
9	O3
10	GND
11	LE
12	O4
13	D4
14	D5
15	O5
16	O6
17	D6
18	D7
19	O7
20	V <sub>CC</sub>

FIGURE 1. Terminal connections.

<b>STANDARD MICROCIRCUIT DRAWING</b> DLA LAND AND MARITIME COLUMBUS, OHIO 43218-3990	SIZE <b>A</b>		<b>5962-87644</b>
		REVISION LEVEL <b>F</b>	SHEET <b>7</b>

Inputs			Output
Dn	LE	$\overline{OE}$	On
H	H	L	H
L	H	L	L
X	L	L	On (no change) *
X	X	H	Z

H = High voltage level  
 L = Low voltage level  
 X = Immaterial  
 Z = High impedance  
 \* = The last data inputs that satisfy the setup and hold times of the latch enable input.

FIGURE 2. Truth table.

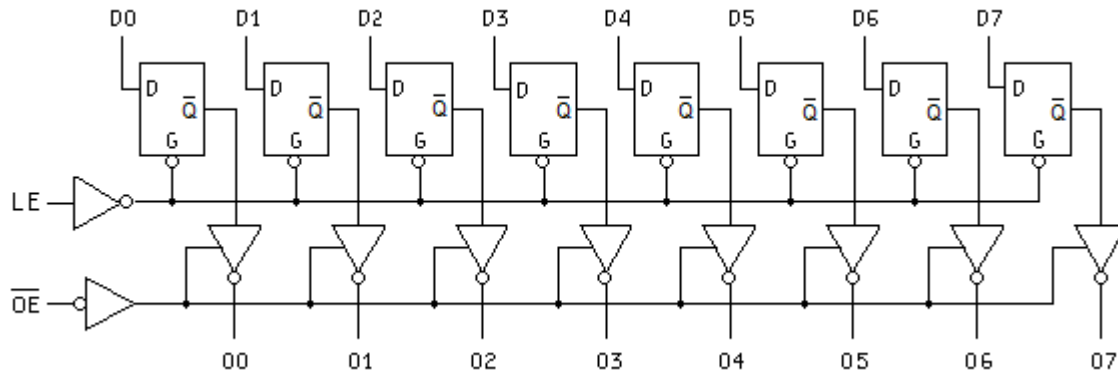


FIGURE 3. Logic diagram.

**STANDARD  
 MICROCIRCUIT DRAWING**  
 DLA LAND AND MARITIME  
 COLUMBUS, OHIO 43218-3990

SIZE  
**A**

**5962-87644**

REVISION LEVEL  
**F**

**SHEET 8**

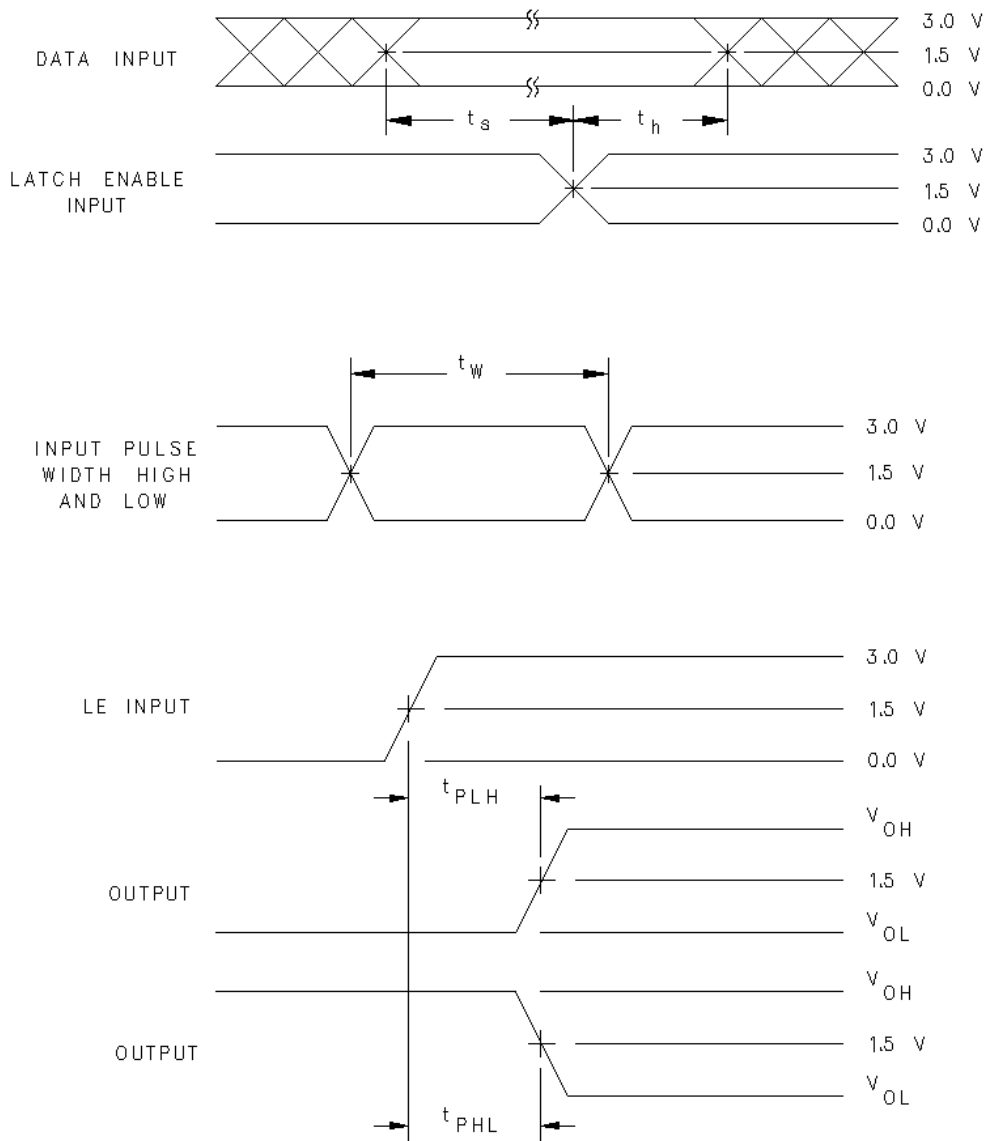


FIGURE 4. Switching waveforms and test circuit.

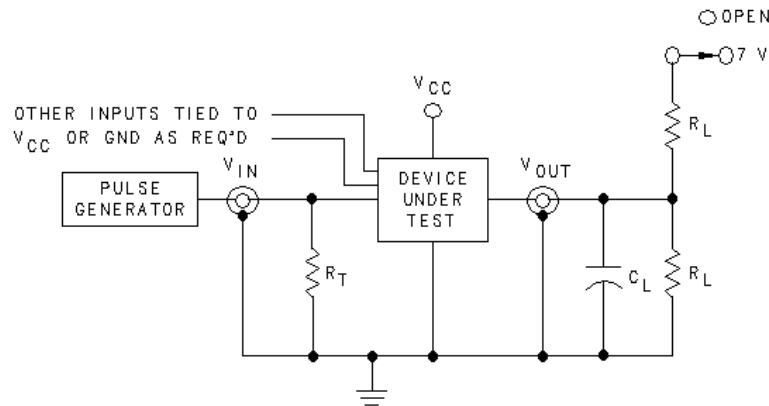
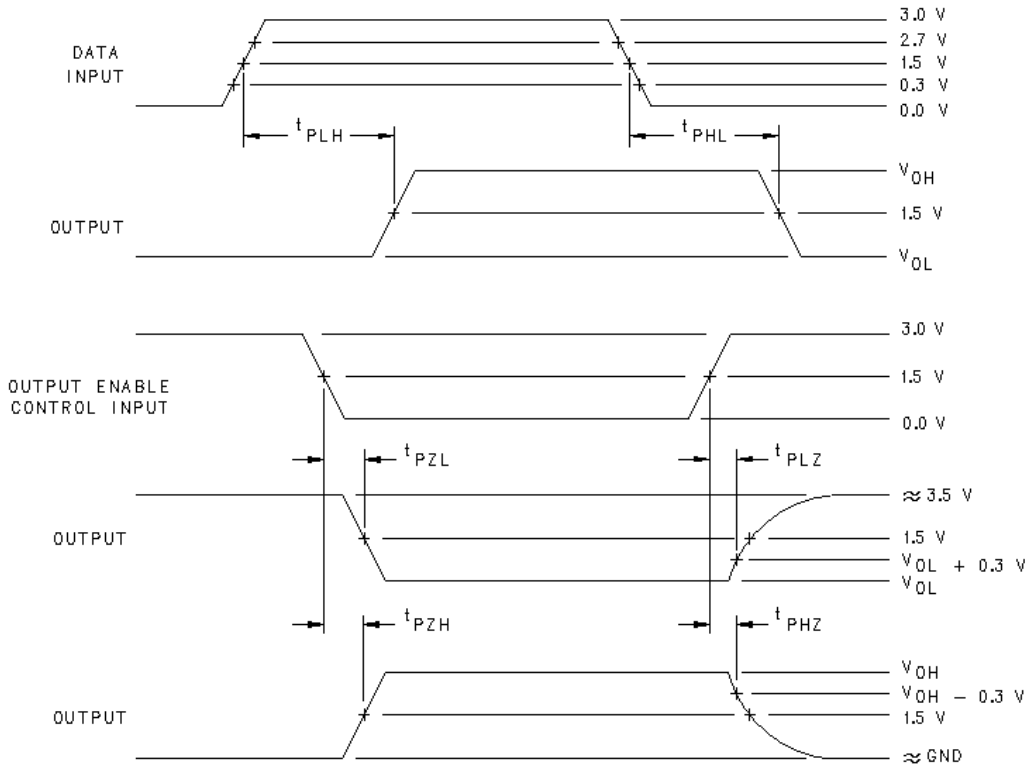
**STANDARD  
MICROCIRCUIT DRAWING**  
DLA LAND AND MARITIME  
COLUMBUS, OHIO 43218-3990

SIZE  
**A**

**5962-87644**

REVISION LEVEL  
**F**

SHEET **9**



NOTES:

1. For  $t_{PZL}$  and  $t_{PLZ}$ , the output is tied to 7.0 V. For all other tests, the output is open.
2.  $C_L = 50$  pF minimum or equivalent (includes test jig and probe capacitance).
3.  $R_T = 50\Omega$  or equivalent.  $R_L = 500\Omega$  or equivalent.
4. Input signal from pulse generator:  $V_{IN} = 0.0$  V to 3.0 V;  $PRR \leq 1$  MHz;  $t_r \leq 2.5$  ns;  $t_f \leq 2.5$  ns;  $t_r$  and  $t_f$  shall be measured from 0.3 V to 2.7 V and from 2.7 V to 0.3 V, respectively; duty cycle = 50 percent.
5. Timing parameters shall be tested at a minimum input frequency of 1 MHz.
6. Outputs are measured one at a time with one output per measurement.

FIGURE 4. Switching waveforms and test circuit – Continued.

<b>STANDARD MICROCIRCUIT DRAWING</b> DLA LAND AND MARITIME COLUMBUS, OHIO 43218-3990	SIZE <b>A</b>		<b>5962-87644</b>
		REVISION LEVEL <b>F</b>	SHEET <b>10</b>

4. VERIFICATION

4.1 Sampling and inspection. Sampling and inspection procedures shall be in accordance with MIL-PRF-38535, appendix A.

4.2 Screening. Screening shall be in accordance with method 5004 of MIL-STD-883, and shall be conducted on all devices prior to quality conformance inspection. The following additional criteria shall apply:

- a. Burn-in test, method 1015 of MIL-STD-883.
  - (1) Test condition A, B, C, or D. The test circuit shall be maintained by the manufacturer under document revision level control and shall be made available to the preparing or acquiring activity upon request. The test circuit shall specify the inputs, outputs, biases, and power dissipation, as applicable, in accordance with the intent specified in method 1015 of MIL-STD-883.
  - (2)  $T_A = +125^{\circ}\text{C}$ , minimum.
- b. Interim and final electrical test parameters shall be as specified in table II herein, except interim electrical parameter tests prior to burn-in are optional at the discretion of the manufacturer.

TABLE II. Electrical test requirements.

MIL-STD-883 test requirements	Subgroups (in accordance with MIL-STD-883, method 5005, table I)
Interim electrical parameters (method 5004)	---
Final electrical test parameters (method 5004)	<u>1</u> / 1, 2, 3, 7, 8, 9, 10, 11
Group A test requirements (method 5005)	1, 2, 3, 4, 7, 8, 9, 10, 11
Groups C and D end-point electrical parameters (method 5005)	1, 2, 3, 7, 9

\* PDA applies to subgroup 1.

4.3 Quality conformance inspection. Quality conformance inspection shall be in accordance with method 5005 of MIL-STD-883 including groups A, B, C, and D inspections. The following additional criteria shall apply.

4.3.1 Group A inspection.

- a. Tests shall be as specified in table II herein.
- b. Subgroups 5 and 6 in table I, method 5005 of MIL-STD-883 shall be omitted.
- c. Subgroup 4 ( $C_{IN}$  measurement) shall be measured only for the initial test and after process or design changes which may affect input capacitance. Test all applicable pins on 5 devices with zero failures.
- d. Subgroups 7 and 8 shall include verification of the truth table as specified on figure 2.

<b>STANDARD MICROCIRCUIT DRAWING</b> DLA LAND AND MARITIME COLUMBUS, OHIO 43218-3990	SIZE <b>A</b>		<b>5962-87644</b>
		REVISION LEVEL <b>F</b>	SHEET <b>11</b>

4.3.2 Groups C and D inspections.

- a. End-point electrical parameters shall be as specified in table II herein.
- b. Steady-state life test conditions, method 1005 of MIL-STD-883.
  - (1) Test condition A, B, B, C, or D. The test circuit shall be maintained by the manufacturer under document revision level control and shall be made available to the preparing or acquiring activity upon request. The test circuit shall specify the inputs, outputs, biases, and power dissipation, as applicable, in accordance with the intent specified in method 1005 of MIL-STD-883.
  - (2)  $T_A = +125^\circ\text{C}$ , minimum.
  - (3) Test duration: 1,000 hours, except as permitted by method 1005 of MIL-STD-883.

5. PACKAGING

5.1 Packaging requirements. The requirements for packaging shall be in accordance with MIL-PRF-38535, appendix A.

6. NOTES

6.1 Intended use. Microcircuits conforming to this drawing are intended for use for Government microcircuit applications (original equipment), design applications, and logistics purposes.

6.2 Replaceability. Microcircuits covered by this drawing will replace the same generic device covered by a contractor-prepared specification or drawing.

6.3 Configuration control of SMD's. All proposed changes to existing SMD's will be coordinated with the users of record for the individual documents. This coordination will be accomplished using DD Form 1692, Engineering Change Proposal, or email communication.

6.4 Record of users. Military and industrial users should inform DLA Land and Maritime when a system application requires configuration control and the applicable SMD. DLA Land and Maritime will maintain a record of users and this list will be used for coordination and distribution of changes to the drawings. Users of drawings covering microelectronics devices (FSC 5962) should contact DLA Land and Maritime -VA, telephone (614) 692-8108.

6.5 Comments. Comments on this drawing should be directed to DLA Land and Maritime -VA, Columbus, Ohio 43218-3990, or telephone (614) 692-0591.

6.6 Approved sources of supply. Approved sources of supply are listed in MIL-HDBK-103 and QML-38535. The vendors listed in MIL-HDBK-103 and QML-38535 have agreed to this drawing and a certificate of compliance (see 3.6 herein) has been submitted to and accepted by DLA Land and Maritime -VA.

<b>STANDARD MICROCIRCUIT DRAWING</b> DLA LAND AND MARITIME COLUMBUS, OHIO 43218-3990	SIZE <b>A</b>		<b>5962-87644</b>
		REVISION LEVEL <b>F</b>	SHEET <b>12</b>

STANDARD MICROCIRCUIT DRAWING BULLETIN

DATE: 23-02-27

Approved sources of supply for SMD 5962-87644 are listed below for immediate acquisition information only and shall be added to MIL-HDBK-103 and QML-38535 during the next revision. MIL-HDBK-103 and QML-38535 will be revised to include the addition or deletion of sources. The vendors listed below have agreed to this drawing and a certificate of compliance has been submitted to and accepted by DLA Land and Maritime -VA. This information bulletin is superseded by the next dated revision of MIL-HDBK-103 and QML-38535. DLA Land and Maritime maintains an online database of all current sources of supply at <https://landandmaritimeapps.dla.mil/Programs/Smcr/>.

Standard microcircuit drawing PIN <u>1/</u>	Vendor CAGE number	Vendor similar PIN <u>2/</u>
5962-8764401RA	0C7V7	54FCT373DMQB
		IDT54FCT373DB
5962-8764401SA	0C7V7	54FCT373FMQB
		IDT54FCT373EB
5962-87644012A	0C7V7	54FCT373LMQB
		IDT54FCT373LB
5962-8764402RA	0C7V7	54FCT373ACMB
		IDT54FCT373ADB
5962-8764402SA	0C7V7	54FCT373AFSMB
		IDT54FCT373AEB
5962-87644022A	0C7V7	54FCT373ALB
		IDT54FCT373ALMB

1/ The lead finish shown for each PIN representing a hermetic package is the most readily available from the manufacturer listed for that part. If the desired lead finish is not listed contact the vendor to determine its availability.

2/ Caution. Do not use this number for item acquisition. Items acquired to this number may not satisfy the performance requirements of this drawing.

Vendor CAGE number

Vendor name and address

0C7V7

Teledyne e2v, Inc.  
765 Sycamore Drive  
Milpitas, CA 95035

3DTT2

Pyramid Semiconductor Corp.  
1249 Reamwood Avenue  
Sunnyvale, CA 94089

The information contained herein is disseminated for convenience only and the Government assumes no liability whatsoever for any inaccuracies in the information bulletin.