

## Han B Base Surface HC 2 Levers 2 x M40

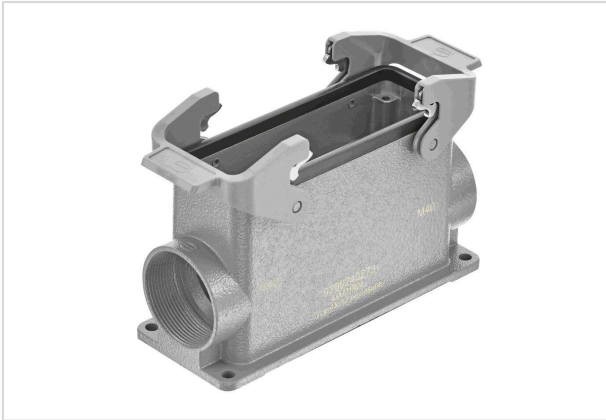


Image is for illustration purposes only. Please refer to product description.

Part number	19 30 024 0273
Specification	Han B Base Surface HC 2 Levers 2 x M40
HARTING eCatalogue	<a href="https://harting.com/19300240273">https://harting.com/19300240273</a>

### Identification

Category	Hoods / Housings
Series of hoods/housings	Han <sup>®</sup> B
Type of hood/housing	Surface mounted housing
Type	High construction

### Version

Size	24 B
Version	Side entry
Number of cable entries	2
Cable entry	2x M40
Locking type	Double locking lever
Han-Easy Lock <sup>®</sup>	Yes
Field of application	Standard hoods/housings for industrial connectors

### Technical characteristics

Limiting temperature	-40 ... +125 °C
Note on the limiting temperature	For use as a connector according to IEC 61984.
Mating cycles	≥500
Degree of protection acc. to IEC 60529	IP65
Type rating acc. to UL 50 / UL 50E	4 4X 12



Pushing Performance  
 Since 1945

## Material properties

Material (hood/housing)	Aluminium die-cast
Surface (hood/housing)	Powder-coated
Colour (hood/housing)	RAL 7037 (dust grey)
Material (seal)	NBR
Material (locking)	Polycarbonate (PC) Stainless steel
Colour (locking)	RAL 7037 (dust grey)
Material flammability class acc. to UL 94 (locking levers)	V-0
RoHS	compliant
ELV status	compliant
China RoHS	e
REACH Annex XVII substances	Not contained
REACH ANNEX XIV substances	Not contained
REACH SVHC substances	Yes
REACH SVHC substances	Potassium 1,1,2,2,3,3,4,4,4-nonafluorobutane-1-sulphonate
ECHA SCIP number	60b1a572-bb3f-476f-9307-b7d1688bd90c
California Proposition 65 substances	Yes
California Proposition 65 substances	Nickel Naphthalene
Fire protection on railway vehicles	EN 45545-2 (2020-08) + A1 (2023-10)
Requirement set with Hazard Levels	R22 (HL 1-3) R23 (HL 1-3)

## Specifications and approvals

UL / CSA	UL 1977 ECBT2.E235076 CSA-C22.2 No. 182.3 ECBT8.E235076
Approvals	CE DNV GL

## Commercial data

Packaging size	1
Net weight	368 g
Country of origin	Germany
European customs tariff number	85389099
GTIN	5713140126626



**Pushing Performance**  
Since 1945

## Commercial data

eCl@ss 27440202 Shell for industrial connectors

ETIM EC000437

UNSPSC 24.0 39121466

---