

6

5

4

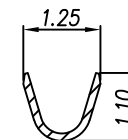
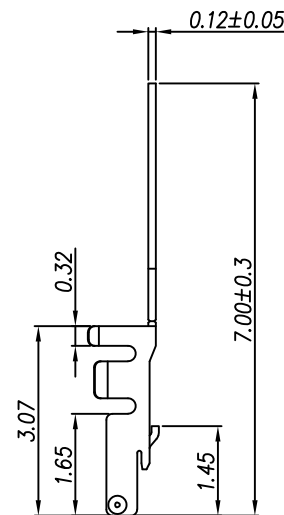
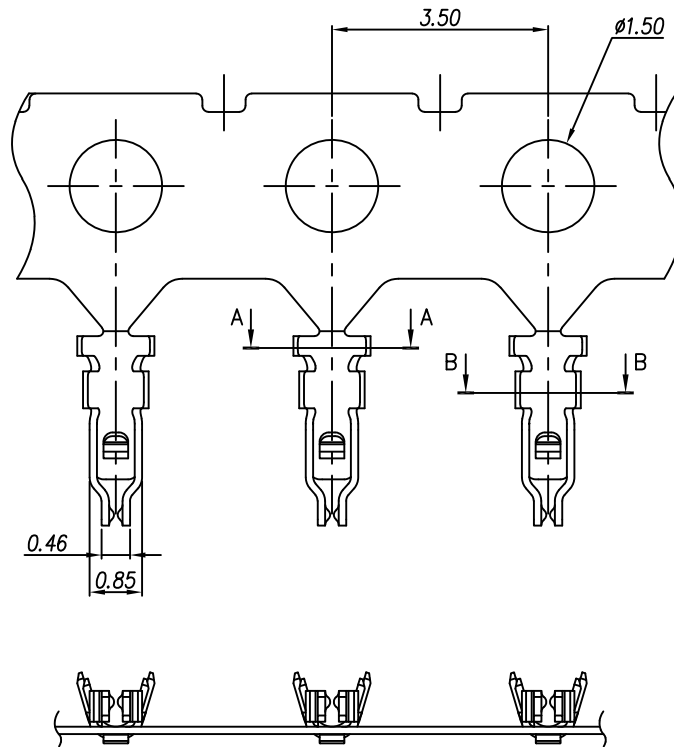
3

2

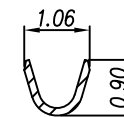
1

APPROVED: _____
 DATE: _____ TITLE: _____

Rev	AWO #	Description	Date	Appr
-		RELEASED	12/2/19	



SECTION A-A



SECTION B-B

SPECIFICATIONS:

Material:
 Contacts: Copper Alloy, T=0.12MM, Gold flash over Nickel plated
 Electrical:
 Current rating: 2.0A AC/DC, AWG #28~#30
 Voltage rating: 50V AC/DC
 Contact resistance: 10 mohms max
 Insulation resistance: 100 Mohms min
 Dielectric withstanding voltage: 500 VAC for 1 minute
 Temperature Rating:
 Operating temperature: -25°C to +85°C
 Environmental:
 Lead free, RoHS compliant



UNLESS OTHERWISE SPECIFIED ALL DIMENSIONS ARE MILLIMETERS TOLERANCES: EXCEPT AS NOTED		ADAM TECH		909 Rahway Avenue, Union, NJ 07083 Phone: 908-687-5000 Fax: 908-687-5710	
MM		ANGLE		TITLE	
.X ± 0.35	.X' ± 2°	CRIMP TERMINAL 1.2mm FOR			
.XX ± 0.25	.X' ± 1°	12SH-A4-XX-GS-SMT-BK-T/R HOUSING, GOLD PLATED			
.XXX ± 0.15	.XX' ± 0.5°	APPROVALS		DATE	
DRAWN	OW			12/2/19	
CHECKED	AC			12/2/19	
APPROVED					
SIZE	PART NO.	REF:		SCALE:	SHEET 1 OF 1
X	12CTA4-G-R	S00119T		NTS	

6

5

4

3

2

1