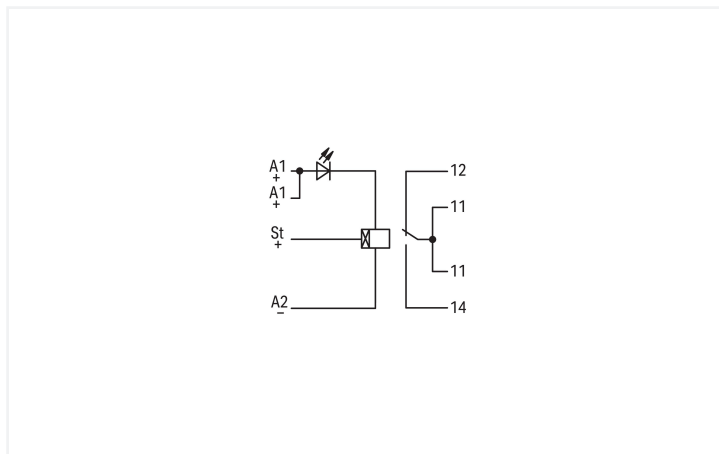


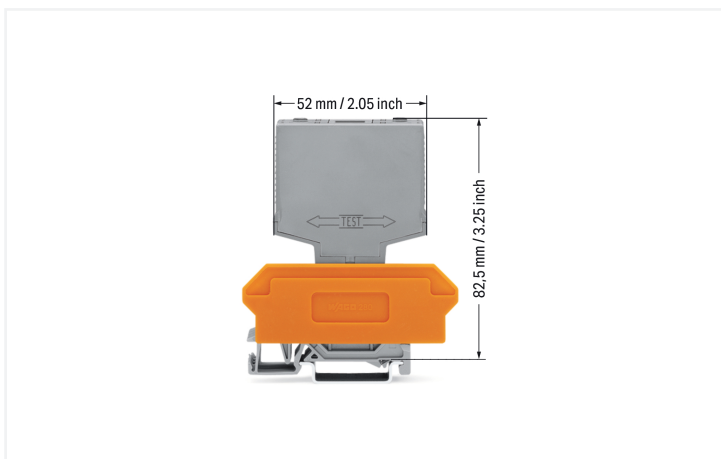
Data Sheet | Item Number: 286-640

Timer relay module; Nominal input voltage: 24 VDC; Limiting continuous current: 6 A; Railway; Multifunction/Multitime; Red status indicator; Module width: 20 mm; gray

<https://www.wago.com/286-640>



Color: ■ gray



OFF	OFF	flashing	OFF	OFF	10 s ... 100 s
ON	ON		ON	ON	
OFF	OFF	on-delay	OFF	OFF	3 s ... 12 s
ON	ON		ON	ON	
OFF	OFF	pulsing	OFF	OFF	0.3 s ... 3 s
ON	ON		ON	ON	
OFF	OFF	off-delay with auxiliary voltage	OFF	OFF	100 s ... 800 s
ON	ON		ON	ON	

Switch position / Function		Switch position / Time range (s)		
S1	S2	S3	S4	
OFF	OFF	OFF	OFF	100 - 800
OFF	ON	OFF	ON	0,3 - 3
ON	OFF	ON	OFF	3 - 12
ON	ON	ON	ON	10 - 100

Finely adjusting time within these ranges can be made with the trimming potentiometer. St+ is only connected with the function "off-delay with auxiliary voltage."

Technical data

Control circuit

Nominal input voltage U_N	24 VDC
Nominal input current at U_N	24 mA
Time range	0.3 ... 3 s 3 ... 12 s 10 ... 100 s 100 ... 800 s
Reset time	100 ms
Repeat accuracy	1 %

Load circuit

Number of changeover/switchover contacts	1
Contact material (relay)	AgNi + Au
Limiting continuous current	5 A
Inrush current (resistive) max.	(AC) 10 A / 4 s
Switching Voltage, Max.	250 VAC
Switching power (resistive) max.	AC 1250 VA
Bounce time (typ.)	2 ms
Electrical life (NO; resistive load; 23 °C)	100 x 10 ³ switching operations
Mechanical life	15 x 10 ⁶ switching operations

Safety and protection

Rated Voltage	250 V
Rated impulse withstand voltage	4 kV
Pollution degree	2
Dielectric strength (control/load circuit) (AC, 1 min)	3 kVrms
Protection type	IP20

Physical data

Width	20 mm / 0.787 inches
Height	52 mm / 2.047 inches
Depth from upper-edge of DIN-rail	82.5 mm / 3.25 inches
Note (dimensions)	Depth including carrier terminal block

Mechanical data

Mounting type	Pluggable module for receptacle terminal blocks
---------------	---

Material data

Note (material data)	Information on material specifications can be found here
Color	gray
Fire load	0.953 MJ
Weight	34.5 g

Environmental requirements

Ambient temperature (operation at U_N)	-25 ... +40 °C
Processing temperature	-25 ... +50 °C
Operating altitude (max.)	2000 m

Standards and Specifications

Standards/specifications	EN 60664-1
--------------------------	------------

Commercial data

Product Group	6 (INTERFACE ELECTRONIC)
PU (SPU)	10 (1) pcs
Packaging type	Box
Country of origin	DE
GTIN	4050821806349
Customs tariff number	85364900990

Product Classification

UNSPSC	39122329
eCl@ss 10.0	27-37-16-05
eCl@ss 9.0	27-37-16-05
ETIM 9.0	EC001439
ETIM 10.0	EC001439
ECCN	NO US CLASSIFICATION

Environmental Product Compliance

CAS-No.	1303-86-2 7439-92-1 79-94-7
REACH Candidate List Substance	2,2',6,6'-tetrabromo-4,4'-isopropylidenediphenol Diboron trioxide Lead
RoHS Compliance Status	Compliant,With Exemption
RoHS Exemption	6(c) 7(a) 7(c)-I 7(c)-II
SCIP notification number (Austria)	c0a31c1b-f19e-44fd-b1c7-1b8214701da2
SCIP notification number (Belgium)	fbfeac98-93f2-4c06-ba6a-8aaf276631b1
SCIP notification number (Bulgaria)	82f14479-261e-48a7-a6f1-92c123041952
SCIP notification number (Czech Republic)	b9ff3314-a916-4351-9c42-45444871388e
SCIP notification number (Denmark)	4e359781-f089-4753-b6cb-5f8a15c4f3de
SCIP notification number (Finland)	90a977b9-9a25-4813-b6b4-aa5c972b4bf8
SCIP notification number (France)	7a93b5fb-4bee-4908-9181-e7819ff1eb64
SCIP notification number (Germany)	94741950-ddca-496a-a6b3-a1d324af371b
SCIP notification number (Hungary)	7280d08d-6236-493e-9943-85d27b5b7aa2
SCIP notification number (Italy)	cc0f1b06-c5dc-415d-97b8-02df4cb0bd90
SCIP notification number (Netherlands)	b1322b48-4e67-4c2a-84e7-3556a28e32f0
SCIP notification number (Poland)	9e1b04aa-6643-4a99-a15a-8d922962aa2a
SCIP notification number (Romania)	6ebaa249-8eed-440a-853e-d21099531659
SCIP notification number (Sweden)	91cf499c-7ddd-4b10-b597-c7628297681f

Approvals / Certificates

General approvals			Declarations of conformity and manufacturer's declarations		
Approval	Standard	Certificate Name	Approval	Standard	Certificate Name
EAC GZO Almaty Standart	TP TC 004/2011	EAC CoC 03078	Railway WAGO GmbH & Co. KG	-	Z00004421.000

Downloads

Environmental Product Compliance

Compliance Search
Environmental Product Compliance 286-640

Documentation

Bid Text			
286-640	19.02.2019	xml 4.34 KB	↓
286-640	27.03.2015	doc 27.50 KB	↓

Instruction Leaflet			
Operation and Assembly Instructions Interface	V 1.0.0 02.04.2025	pdf 1246.19 KB	↓

CAD/CAE-Data

CAE data	
EPLAN Data Portal 286-640	↓
WSCAD Universe 286-640	↓

1 Compatible Products

1.1 Optional Accessories

1.1.1 Marking

1.1.1.1 Marker



Item No.: 209-701

WSB marking card; as card; not stretchable; plain; snap-on type; white

1.1.2 Terminal blocks

1.1.2.1 Terminal block for pluggable modules



Item No.: 280-638

Terminal block for pluggable modules; 8-pole; with 2-conductor terminal blocks; with orange separator; for DIN-rail 35 x 15 and 35 x 7.5; 2.5 mm²; CAGE CLAMP®; 2,50 mm²; gray



Item No.: 280-764

Terminal block for pluggable modules; 8-pole; with 4-conductor terminal blocks; with marker carrier; with orange separator; for DIN-rail 35 x 15 and 35 x 7.5; 2.5 mm²; CAGE CLAMP®; 2,50 mm²; gray

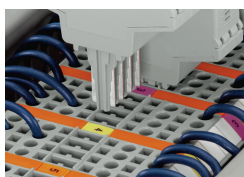


Item No.: 280-628

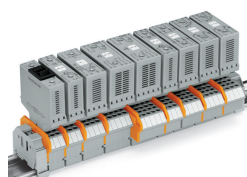
Terminal block for pluggable modules; 8-pole; with 4-conductor terminal blocks; with orange separator; for DIN-rail 35 x 15 and 35 x 7.5; 2.5 mm²; CAGE CLAMP®; 2,50 mm²; gray

Installation Notes

Installation



Coding ensures correct polarity.



Pluggable electronic modules on 2- or 4-conductor carrier terminal blocks

Marking



Marking via WMB Multi Marking System.

Testing



Function testing via touch-proof test slots