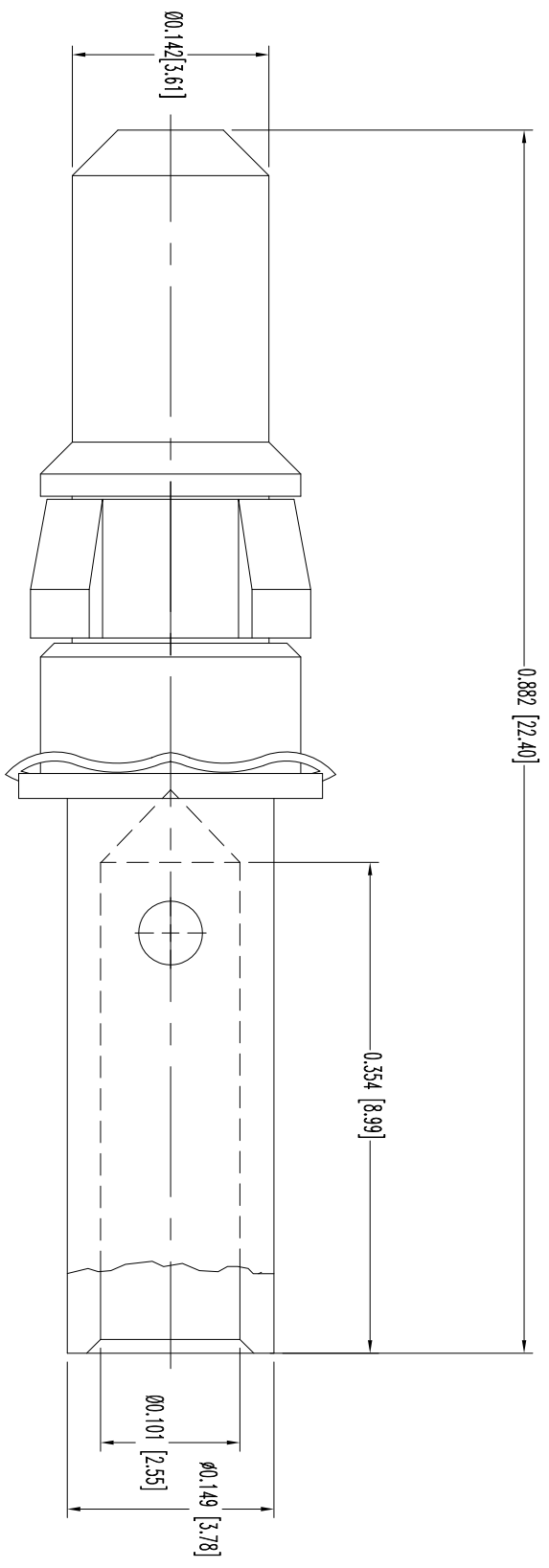


THIS DRAWING CONTAINS INFORMATION PROPRIETARY TO POSITRONIC INDUSTRIES INC. THE DATA ON THIS DRAWING TO BE RELIABLE SINCE THE USER EMPLOYER'S SUCH INFORMATION AT HIS OWN DISCRETION RESULTS OBTAINED OR DAMAGES INCURRED FROM USE OF SUCH INFORMATION IN WHOLE OR IN PART.



NOTES:

1. MATERIAL AND FINISH: PRECISION MACHINED COPPER ALLOY, 0.000050 [1.27µ] GOLD OVER NICKEL PLATE.
2. DETAILED PRODUCT, MECHANICAL, AND ELECTRICAL INFORMATION IS AVAILABLE IN THE LATEST STANDARD DENSITY COMBO-D PRODUCT PUBLICATION. VISIT CONNECTPOSITRONIC.COM/PRODUCTS/1/STANDARDENSITYCOMBO-D OR CONNECTPOSITRONIC.COM.
3. DIMENSIONS ARE IN INCHES [MILLIMETERS].

DATE	REV	REVISION RECORD	APP	DR	CK
2-11-13	NC	ECO 38434	COLB	BS	COLB

SK14885

POSITRONIC INDUSTRIES INC.
www.connectpositronic.com

DECIMAL TOL.	± 0.015 [0.38]	ANGULAR TOL.	± N/A
CBD SERIES	SCALE	DRAWN BY	REV.
	N.T.S.	B SHELLADY	NC
TITLE	APPROVED BY	DATE	DRAWING NUMBER
MC4012D-15	COLB	2-11-13	SK14885
FSCM 28198			