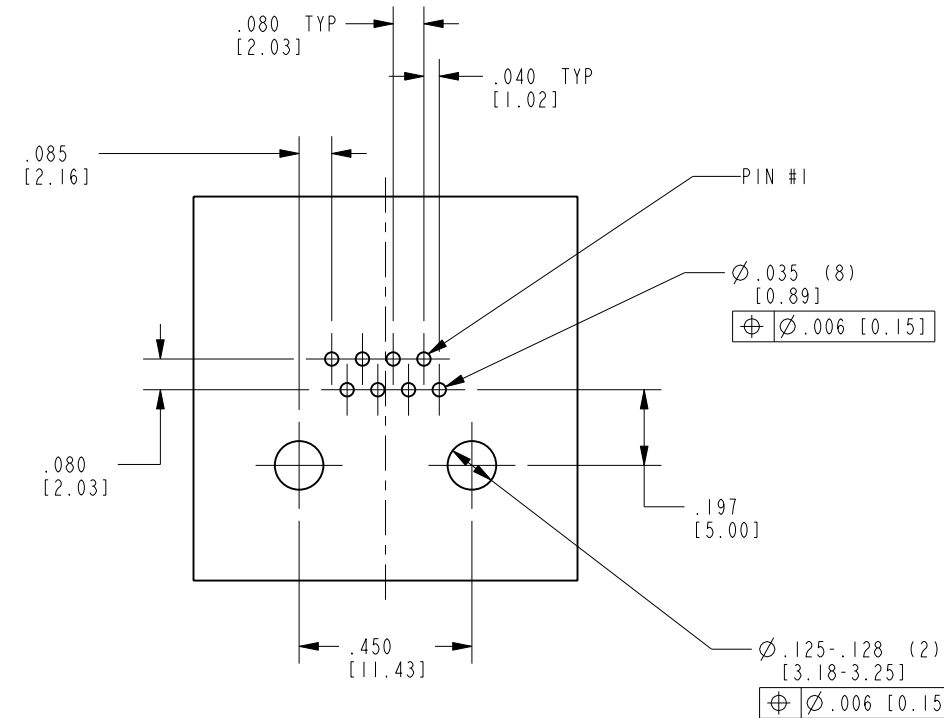
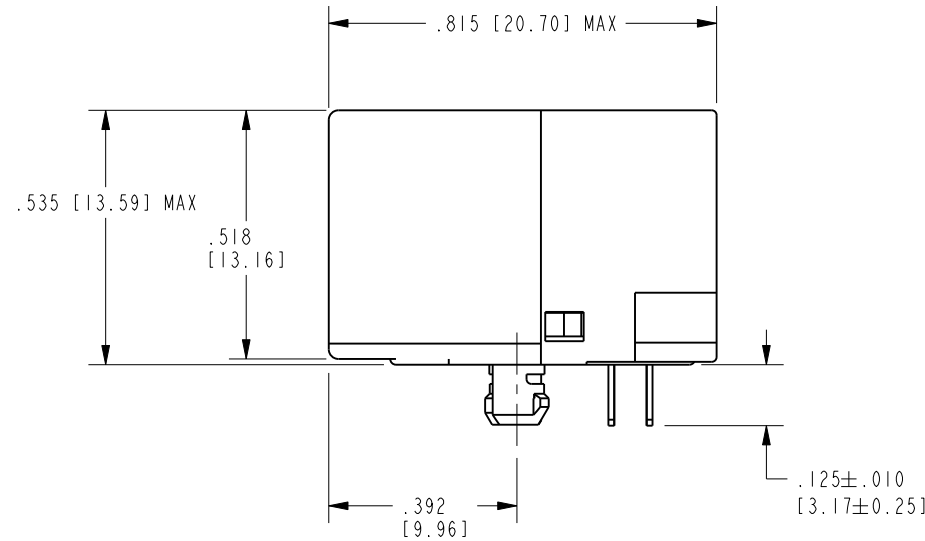
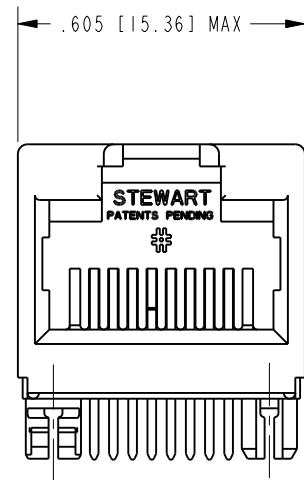


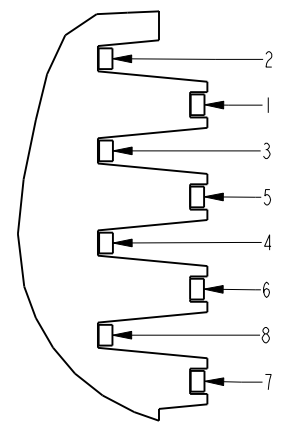
DATE	REV.	ECN	APP'D BY
2-17-15	D1	10260	ADB
2-9-16	D2	10531	TRM
7-10-19	D3	11411	JE



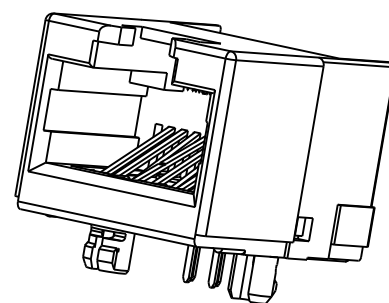
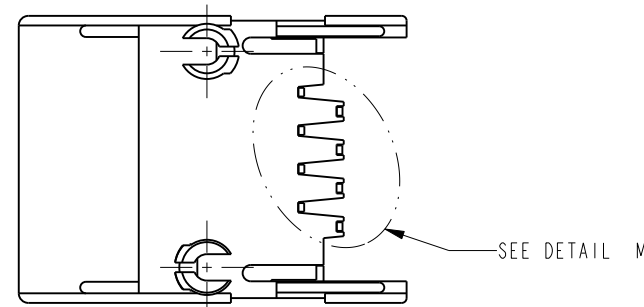
RECOMMENDED PCB HOLE LAYOUT
SEEN FROM COMPONENT SIDE
ALL CENTERLINE DIMENSIONS ARE BASIC

NOTES:

- MATERIALS:
HOUSING -- THERMOPLASTIC UL 94-V0
CONTACTS -- COPPER ALLOY
CONTACT PLATING -- SELECTIVE PLATING IN CONTACT AREA
SEE CHART FOR DETAILS
- PRODUCT DESIGNED FOR CAT6 APPLICATIONS
- DIMENSIONS AND TOLERANCES COMPLY WITH TIA-1096 STANDARD.



DETAIL M
OUTPUT PIN DESIGNATIONS



50 MICRO-INCHES [1.27µm] Au OR 5 MICRO-INCHES [0.13µm] Au OVER 30 MICRO-INCHES [0.76µm] PdNi	SS-60000-010
CONTACT PLATING IN MATING AREA	PART NUMBER

THIRD ANGLE PROJECTION 	 11118 Susquehanna Trail South Glen Rock, PA 17327-9199 (717) 235-7512 http://www.stewartconnector.com
DO NOT SCALE DRAWING DRAWING IS SUBJECT TO CHANGE WITHOUT NOTICE	60 SERIES UNSHIELDED RIGHT ANGLE JACK
DIMENSIONS: INCHES [METRIC]	THIS DRAWING AND THE SUBJECT MATTER SHOWN THEREON ARE CONFIDENTIAL AND THE PROPRIETARY PROPERTY OF STEWART CONNECTOR AND SHALL NOT BE REPRODUCED, COPIED, OR USED IN ANY MANNER WITHOUT PRIOR WRITTEN CONSENT OF STEWART CONNECTOR. ONE OR MORE U.S. PATENTS MAY APPLY TO THIS PRODUCT. FOR DETAILS, PLEASE VISIT: HTTP://BELFUSE.COM/STEWART/STEWART_PATENTS/
UNLESS OTHERWISE SPECIFIED TOLERANCES ARE ±.005 [0.13] ANGLES ARE ±1°	DRN BY: JRC DATE 04-14-04
SHEET NO. 1 OF 1	APPD BY: RGC DATE 04-14-04
	DWG. NO. CT600025 REV. D3