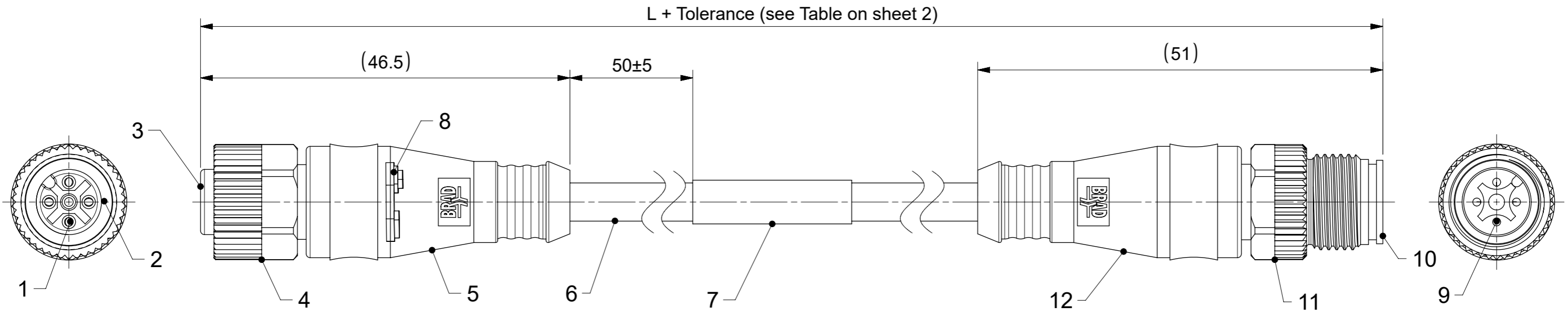


# FEMALE PLUG M12 STRAIGHT PNP LED / MALE PLUG M12 STRAIGHT

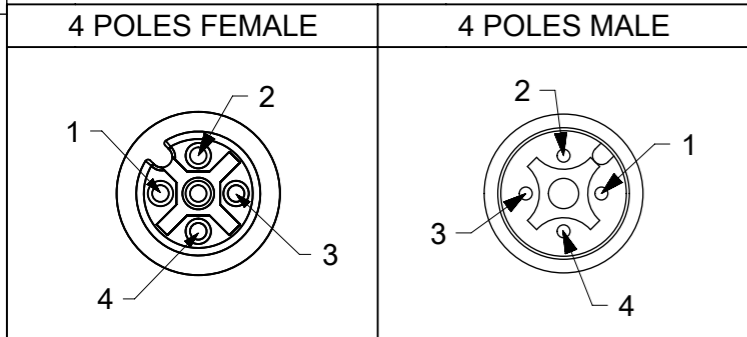


**NOTES:**  
**ELECTRICAL DATA :**  
 VOLTAGE RATING : 10-30V DC  
 AMPERAGE RATING : 4A  
 INSULATION RESISTANCE : 10<sup>8</sup>Ω MIN  
 MATING CYCLES : MIN. 100  
**ENVIRONMENTAL :**  
 PROTECTION : IP67 in mated and locked position  
 OPERATING TEMPERATURE : REFER CABLE LIST

## BILL OF MATERIALS

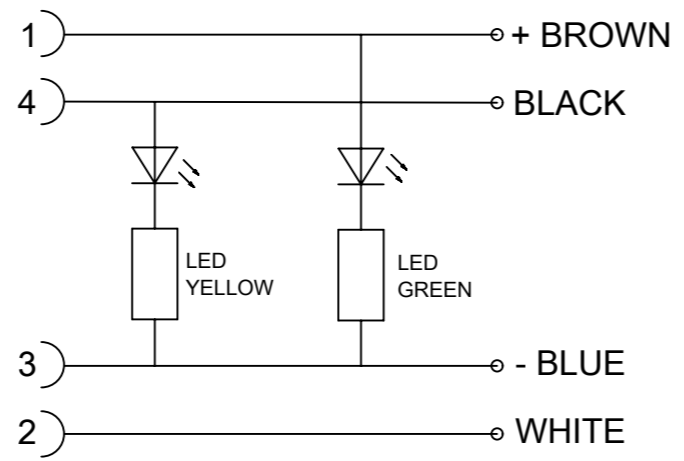
ITEM	QTY.	DESCRIPTION	MATERIAL	FINISH
1	4	CONTACT M12 FEMALE	Cu ALLOY	SELECTIVE GOLD OVER NICKEL
2	1	ORING	FPM	RED
3	1	INSERT FEMALE	PUR	BLACK
4	1	COUPLING NUT FEMALE	BRASS	NICKEL
5	-	OVERMOULD	TPU	TRANSPARENT
6	-	CABLE	SEE SHEET 2	---
7	1	LABEL	VINYL	YELLOW
8	1	PCB PNP	---	---
9	4	CONTACT M12 MALE	Cu ALLOY	SELECTIVE GOLD OVER NICKEL
10	1	INSERT MALE	PUR	BLACK
11	1	COUPLING NUT MALE	BRASS	NICKEL
12	-	OVERMOULD	TPU	BLACK

## CONTACT POSITION FRONT VIEW:



PIN	WIRE	PIN	WIRE
1	BROWN	1	BROWN
2	WHITE	2	WHITE
3	BLUE	3	BLUE
4	BLACK	4	BLACK
5	-	5	-

## PNP WIRING



CODING REQUIRED TO IEC 61076-2-101

DOCUMENT STATUS	P1	RELEASE DATE	2024/07/02	09:18:11
-----------------	----	--------------	------------	----------

FUNCTIONAL SYMBOLS		THIS DRAWING CONTAINS INFORMATION THAT IS PROPRIETARY TO MOLEX ELECTRONIC TECHNOLOGIES, LLC AND SHOULD NOT BE USED WITHOUT WRITTEN PERMISSION			
▽/A = 0	mm	SCALE	2:1		
▽/E = 0	GENERAL TOLERANCES (UNLESS SPECIFIED)		CURRENT REV DESC: AS PER THE PCN-513749 CHANGED DIMENSIONING STYLE OF OVERALL LENGTH TO "END TO END". ADDED NOTES SORTED PART LIST USING CABLE TYPES ON SHEET 2	CSE M12 PNP 4P AC FE STR WSOR MA STR XM	
▽/F = 0	ANGULAR TOL ± 1.0°		EC NO: 789428	PRODUCT CUSTOMER DRAWING	
DIVISIONAL SYMBOLS		4 PLACES ±	DRWN: AKABADI	2023/08/09	
		3 PLACES ±	CHK'D: RSILLER	2024/07/02	
		2 PLACES ± 0.05	APPR: RSILLER	2024/07/02	
		1 PLACE ± 0.1	INITIAL REVISION:		DOCUMENT NUMBER
		0 PLACES ± 0.2	DRWN: APAWLAK01	2016/05/16	1200678423
		DRAFT WHERE APPLICABLE MUST REMAIN WITHIN DIMENSIONS	APPR: MIWASIECZKO	2016/05/20	PSD 000 B
		THIRD ANGLE PROJECTION	DRAWING	SERIES	MATERIAL NUMBER
			A3-SIZE	120067	SEE PART LIST
					CUSTOMER
					GENERAL MARKET
					SHEET NUMBER
					1 OF 2

ENGINEERING NO. - NUMERICAL CODE (Available parts see PART LIST table. Others on request).

OPTIONS

8 8 4 0 P 6 B 3 X X X X X X X

88 = M12x1  
Double ended

Poles:  
4 = 4 Poles

Heads style:  
0P6 = Female Straight  
PNP LED / Male Straight

Cable:  
B30 = 0.34mm<sup>2</sup> TPU Black  
B36 = 0.34mm<sup>2</sup> TPU Orange

Units:  
M = Meter

Length  
Examples:  
005 = 0.5 m  
010 = 1 m  
020 = 2 m  
050 = 5 m  
100 = 10 m  
150 = 15 m  
200 = 20 m

Special:  
H=2pcs. of I/D Carrier  
Coupling Nut:  
Blank= KNU/HEX  
7=Teflon KNU  
Overmould:  
Blank= Black  
A=Grey  
Y=Yellow

CABLE LIST

CABLE TYPE	NO. OF WIRES	CROSS SECTION	CABLE JACKET	UL	CSA	STATIC: TEMP. / BENDING RADIUS	DYNAMIC: TEMP. / BENDING RADIUS	DRAG CHAIN	SHIELD
B30	4	0.34mm <sup>2</sup>	TPU BLACK	UL STYLE 21215	YES	-40°C to +90°C, 5xD	-25°C to +80°C, 7.5xD	-	-
B36	4	0.34mm <sup>2</sup>	TPU ORANGE	UL STYLE 21215	YES	-40°C to +90°C, 5xD	-25°C to +80°C, 7.5xD	-	-

PART LIST

MOLEX PN	ENGINEERING No	L [mm]
4P CABLE B30		
1200678423	8840P6B30M010	1000
1200678424	8840P6B30M020	2000
1200678478	8840P6B30M030	3000
1200678425	8840P6B30M050	5000
1200678426	8840P6B30M100	10000
4P CABLE B36		
1200678489	8840P6B36M0107Y	1000
1200678490	8840P6B36M0207Y	2000
1200678491	8840P6B36M0307Y	3000
1200678492	8840P6B36M0507Y	5000
1200678493	8840P6B36M1007Y	10000
1200678494	8840P6B36M1507Y	15000
1200678495	8840P6B36M2007Y	20000

CABLE LENGTH TOLERANCES

LENGTH	TOLERANCE
0m-1m	+40 mm
>1m-5m	+60 mm
>5m-10m	+80 mm
>10m-20m	+140 mm
>20m-30m	+160 mm
>30m	+1% length

FUNCTIONAL SYMBOLS	THIS DRAWING CONTAINS INFORMATION THAT IS PROPRIETARY TO MOLEX ELECTRONIC TECHNOLOGIES, LLC AND SHOULD NOT BE USED WITHOUT WRITTEN PERMISSION		<p>CSE M12 PNP 4P AC FE STR WSOR MA STR XM</p>		
	DIMENSION UNITS: <b>mm</b> SCALE: <b>1:1</b>	CURRENT REV DESC: AS PER THE PCN-513749 CHANGED DIMENSIONING STYLE OF OVERALL LENGTH TO "END TO END". ADDED NOTES SORTED PART LIST USING CABLE TYPES ON SHEET 2			
DIVISIONAL SYMBOLS	GENERAL TOLERANCES (UNLESS SPECIFIED)		EC NO: 789428		
	ANGULAR TOL ± 1.0°		DRWN: AKABADI 2023/08/09		
	4 PLACES ±		CHK'D: RSILLER 2024/07/02		
	3 PLACES ±		APPR: RSILLER 2024/07/02		
	2 PLACES ± 0.05		INITIAL REVISION:		
1 PLACE ± 0.1		DRWN: APAWLAK01 2016/05/16			
0 PLACES ± 0.2		APPR: MIWASIECZKO 2016/05/20			
DRAFT WHERE APPLICABLE MUST REMAIN WITHIN DIMENSIONS		THIRD ANGLE PROJECTION	DRAWING	SERIES	MATERIAL NUMBER
			A3-SIZE	120067	SEE PART LIST
		CUSTOMER		DOCUMENT NUMBER	DOC TYPE
		GENERAL MARKET		1200678423	PSD
				DOC PART	REVISION
				000	B
				SHEET NUMBER	
				2 OF 2	