

## Crimp contact - CK4,0-ED-2,50BU AG - 1663284

Please be informed that the data shown in this PDF Document is generated from our Online Catalog. Please find the complete data in the user's documentation. Our General Terms of Use for Downloads are valid (<http://phoenixcontact.com/download>)




Turned 4.0 crimp contact, individual female contact, core diameter 2.50 mm<sup>2</sup>, silver-plated



COMPLETE

### Key Commercial Data

Packing unit	1 pc
Minimum order quantity	25 pc
GTIN	 4 017918 123093
GTIN	4017918123093
Weight per Piece (excluding packing)	3.052 g
Custom tariff number	85366990
Country of origin	Germany

### Technical data

#### Ambient conditions

Ambient temperature (operation)	-40 °C ... 125 °C
---------------------------------	-------------------

#### Mechanical characteristics

Conductor cross section	2.5 mm <sup>2</sup> ... 2.5 mm <sup>2</sup>
Connection cross section AWG	14
Stripping length of the individual wire	9 mm (9.6 mm (4-6 mm <sup>2</sup> ))
Contact diameter	4 mm
Insertion/withdrawal cycles	≥ 500

#### General

Note	For HC-M-3 modules
------	--------------------

# Crimp contact - CK4,0-ED-2,50BU AG - 1663284

## Technical data

### General

Type	Individual female contact
Series	HC-M-03
Connection method	Crimp connection
Contact type	turned

### Material data

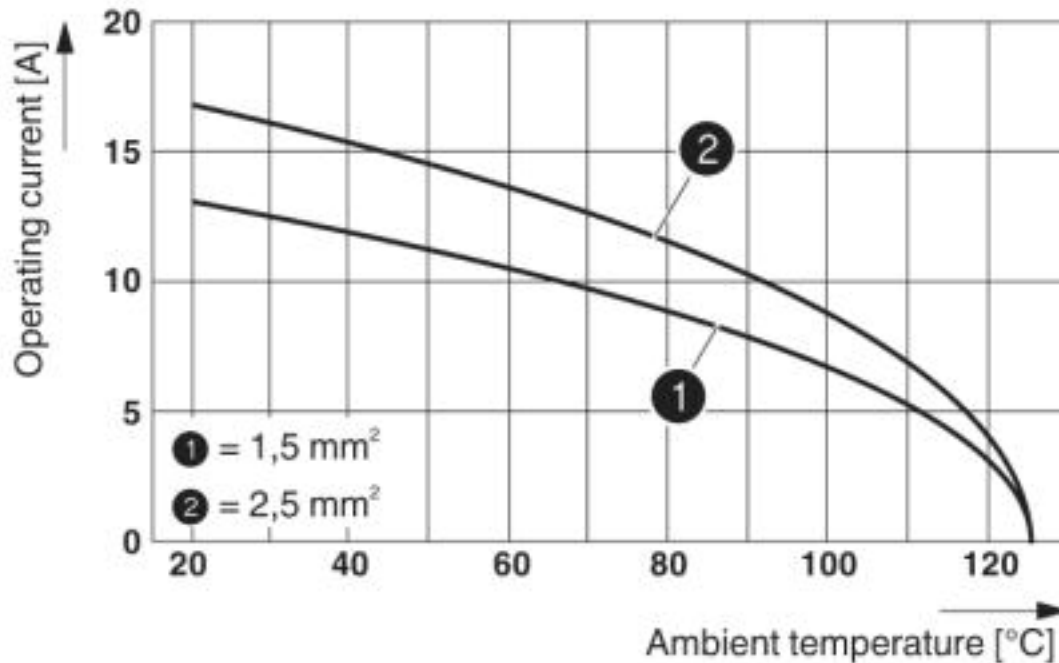
Contact material	Copper alloy
Contact surface material	silver-plated

### Environmental Product Compliance

	Lead 7439-92-1
China RoHS	Environmentally Friendly Use Period = 50
	For details about hazardous substances go to tab "Downloads", Category "Manufacturer's declaration"

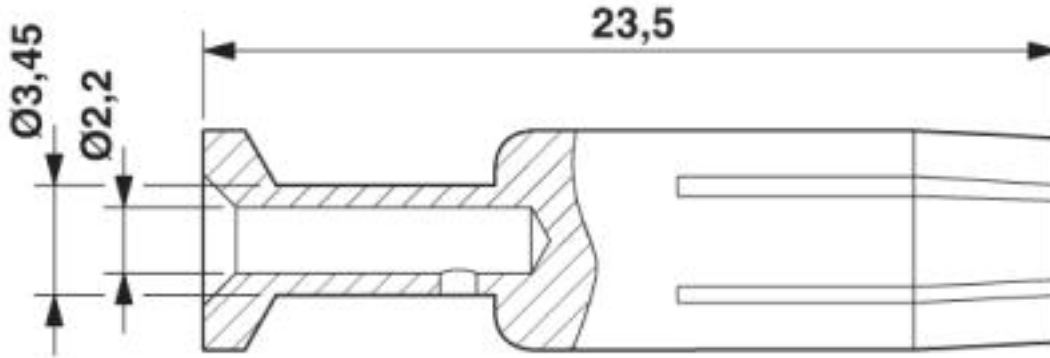
## Drawings

Diagram



# Crimp contact - CK4,0-ED-2,50BU AG - 1663284

Dimensional drawing



## Classifications

eCl@ss

eCl@ss 4.0	27140800
eCl@ss 4.1	27140800
eCl@ss 5.0	27143400
eCl@ss 5.1	27261200
eCl@ss 6.0	27261200
eCl@ss 7.0	27440204
eCl@ss 8.0	27440204
eCl@ss 9.0	27440204

ETIM

ETIM 2.0	EC000796
ETIM 3.0	EC000796
ETIM 4.0	EC000796
ETIM 5.0	EC000796
ETIM 6.0	EC000796
ETIM 7.0	EC000796

UNSPSC

UNSPSC 6.01	30211923
UNSPSC 7.0901	39121522
UNSPSC 11	39121522
UNSPSC 12.01	39121522
UNSPSC 13.2	39121522

## Crimp contact - CK4,0-ED-2,50BU AG - 1663284

### Approvals

Approvals

---

Approvals


EAC / EAC


---

Ex Approvals

---

### Approval details

EAC		RU C- DE.AI30.B.01102
-----	---	--------------------------

EAC		EAC-Zulassung
-----	--	---------------

### Accessories

Accessories

Crimping tool

Crimping pliers - CRIMPFOX-TC 4 - 1212113



Crimping pliers, for CK 1,6-ED..., CK 2,5-ED..., CK 4,0-ED... turned contacts, 4 marked die stations, unlockable pressure lock, lateral entry, incl. positioning tool

Universal tools

Contact removal tool - UNIFOX RT-CK 4.0 - 1072064



Contact removal tool, for rotated CK-4,0-... contacts

