



ebm-papst St. Georgen GmbH & Co. KG
 Hermann-Papst-Str. 1
 D-78112 St. Georgen
 Phone +49 (0) 7724 81-0
 info2@de.ebmpapst.com
 www.ebmpapst.com

Nominal data

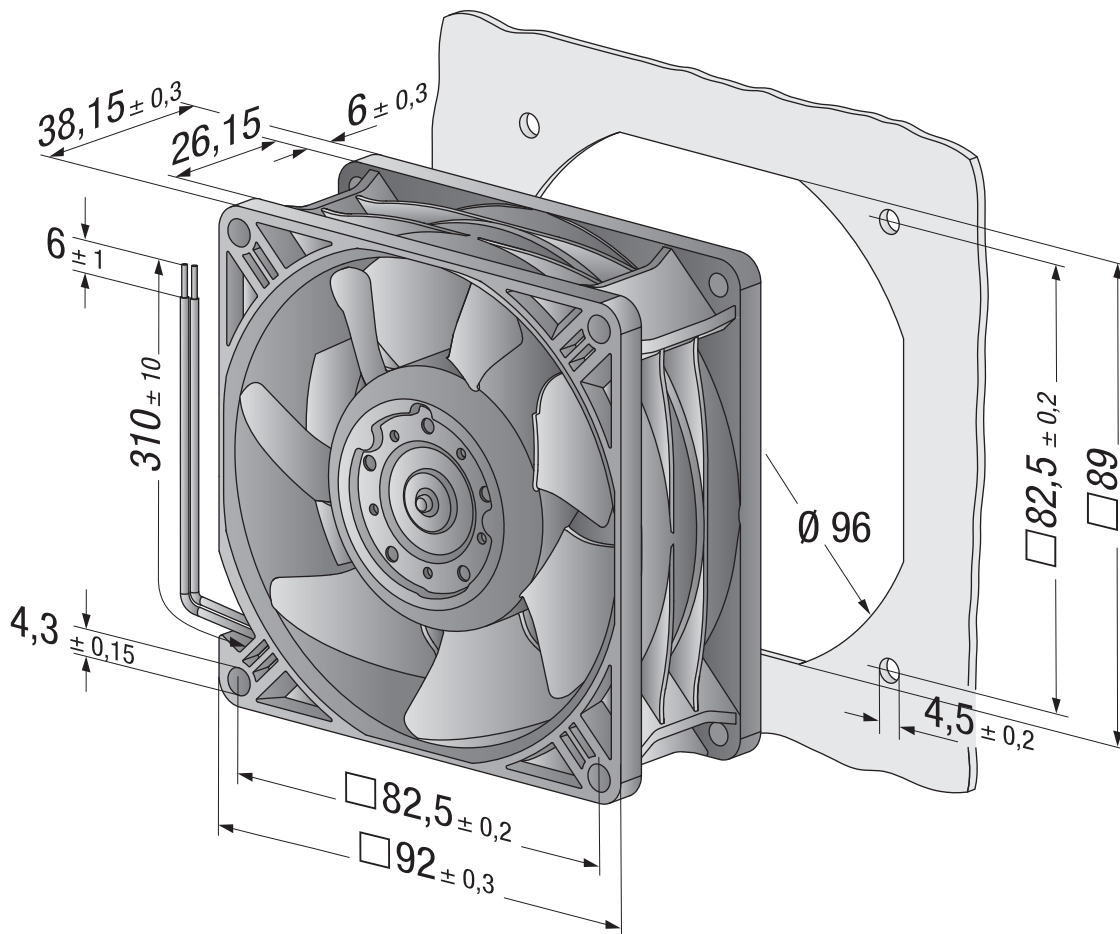
Item	3258 JH	
Motor	-	
Nominal voltage	VDC	48
Nominal voltage range	VDC	36 .. 56
Speed (rpm)	min ⁻¹	4100
Power consumption	W	7.0
Current draw	A	82
Min. ambient temperature	°C	-20
Max. ambient temperature	°C	70
Air flow	m ³ /h	140
Sound power level	B	5.8
Sound pressure level	dB(A)	46

ml = Max. load · me = Max. efficiency · fa = Free air · cs = Customer specification · ce = Customer equipment
 Subject to change

Technical description

Weight	0.24 kg
Dimensions	92 x 92 x 38 mm
Airflow direction	Exhaust over struts
Service life L10 at 40 °C	100000 h
Service life L10 at maximum temperature	50000 h

Product drawing



Curves

