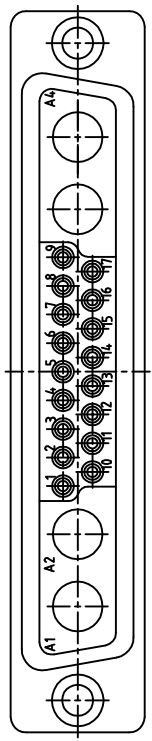
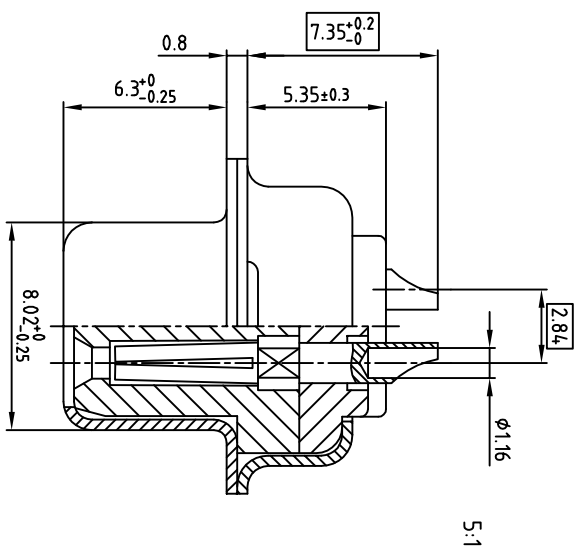
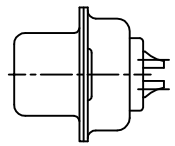
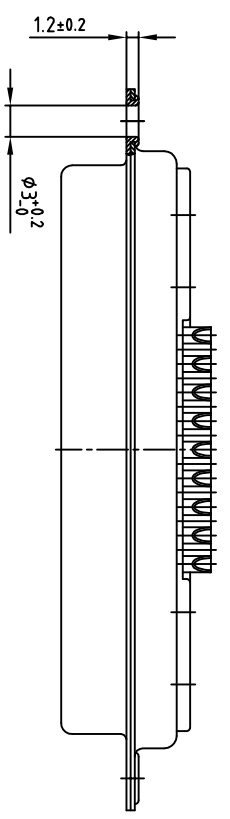
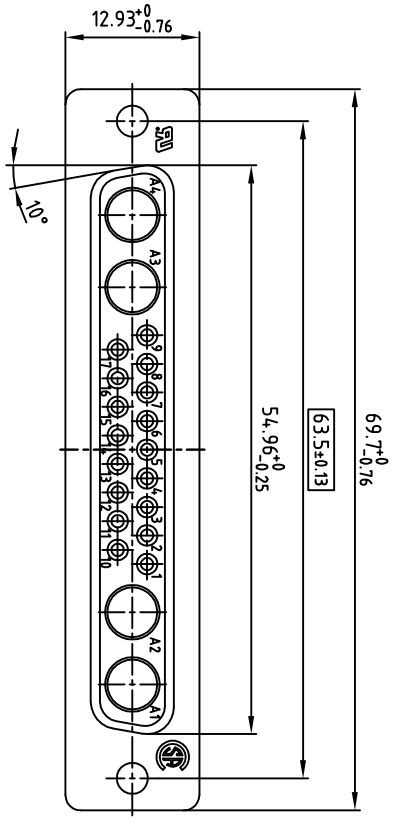


Used for: D-SUB COMBINATION



Directive 2002/95/EC
"RoHS"
Compliant

- NOTES:
1. METAL SHELLS: STEEL: min. 320 μ " TIN
 2. INSULATORS: PBT GF UL 94, V-0, GREEN
 3. CONTACTS: COPPER ALLOY
 4. PLATING: min. 30 μ " HARD GOLD OVER min. 50 μ " NICKEL
 5. = CRITICAL DIMENSION: SPC

THIS DRAWING MAY NOT BE COPIED OR REPRODUCED IN ANY WAY, AND MAY NOT BE PASSED ON TO A THIRD PARTY WITHOUT WRITTEN PERMISSION. OWNERSHIP AND COPYRIGHT OF CONEC GmbH

DO NOT ALTER CAD DRAWING BY HAND

rev.	description	date	name

tolerance	2.1(5:1)
scale:	SEE NOTES
material:	SEE NOTES
title:	D-SUB COMBINATION FEMALE SOLDER CUP 21WA4S
name:	Barchanski
date:	12.01.
drawn:	12.01.
appd.:	Mickenbecker
norm:	
d-add:	
dwg no.:	13K21W7A
product no.:	321WA4SCM99A10X
CAD/REL.14	DIN-A
3	3
Sh-1/1	

