

1775442-1 ✓ ACTIVE



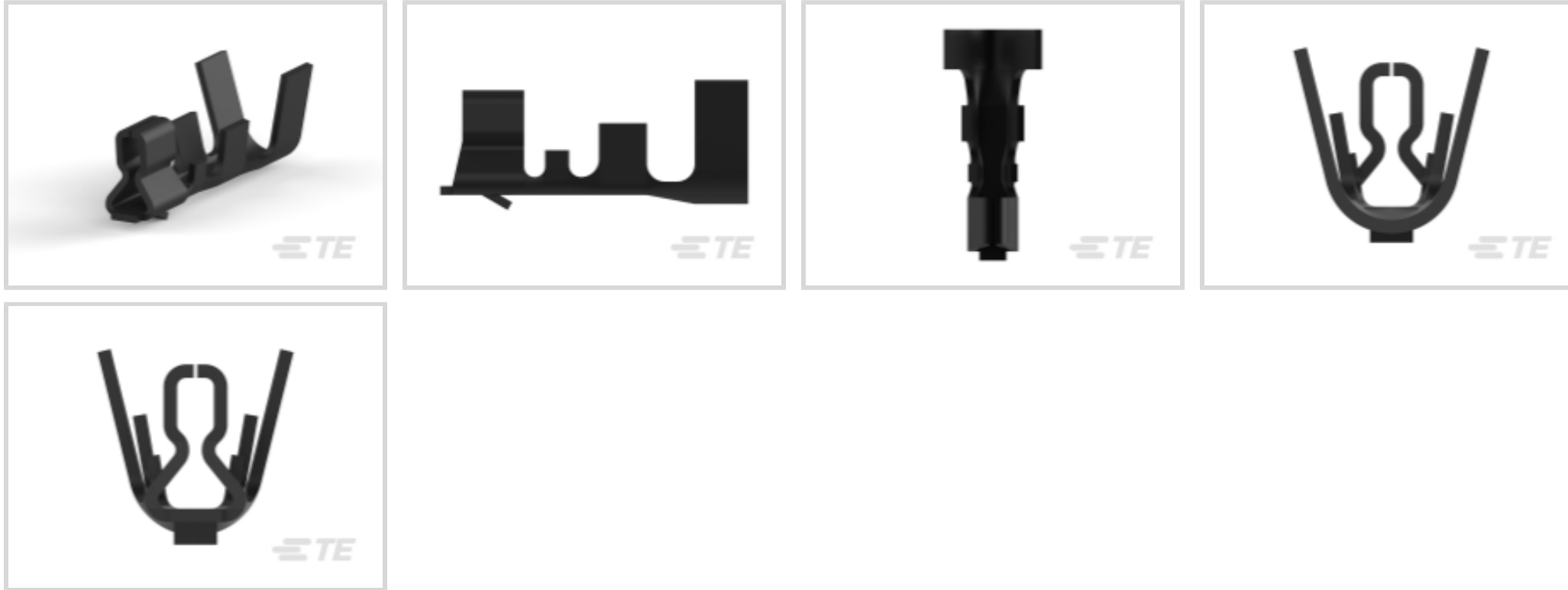
TE Internal #: 1775442-1

Tin (Sn), Socket Contact, 30 – 24 AWG, 250 VAC, .05 – .02 mm²

Wire, Discrete Wire, Phosphor Bronze, Signal, -55 – 105 °C [-67 – 221 °F]

[View on TE.com >](#)

Connectors > Contacts > Connector Contacts



Contact Type: **Socket**

Contact Mating Area Plating Material: **Tin (Sn)**

Wire Contact Termination Area Plating Material: **Tin**

Operating Voltage: **250 VAC**

Compatible With Wire & Cable Type: **Discrete Wire**

Features

Configuration Features

Compatible With Wire & Cable Type	Discrete Wire
-----------------------------------	---------------

Electrical Characteristics

Operating Voltage	250 VAC
-------------------	---------

Contact Features

Contact Mating Area Length	5.14 mm[.202 in]
----------------------------	------------------

Contact Mating Area Plating Material Finish	Bright
---	--------

Mating Square Post Dimension	.4 mm[.015 in]
------------------------------	----------------

Wire Contact Termination Area Plating Material Finish	Bright
---	--------

Contact Type	Socket
--------------	--------

Contact Mating Area Plating Material	Tin (Sn)
--------------------------------------	----------

Wire Contact Termination Area Plating Material	Tin
--	-----

Contact Base Material	Phosphor Bronze
-----------------------	-----------------

Contact Current Rating (Max)	3 A
------------------------------	-----

Termination Features



Product Terminates To	Wire & Cable
-----------------------	--------------

Dimensions

Wire Size	.05 – .02 mm ²
-----------	---------------------------

Usage Conditions

Operating Temperature Range	-55 – 105 °C [-67 – 221 °F]
-----------------------------	-----------------------------

Operation/Application

Circuit Application	Signal
---------------------	--------

Packaging Features

Packaging Method	Reel
------------------	------

Packaging Quantity	15000
--------------------	-------

Product Compliance

[For compliance documentation, visit the product page on TE.com>](#)

EU RoHS Directive 2011/65/EU	Compliant
------------------------------	-----------

EU ELV Directive 2000/53/EC	Out of Scope
-----------------------------	--------------

China RoHS 2 Directive MIIT Order No 32, 2016	有害物质含量符合标准要求 No Restricted Substance(s) Above Threshold
---	---

EU REACH Regulation (EC) No. 1907/2006	Current ECHA Candidate List: JUNE 2025 (250) Candidate List Declared Against: JUNE 2025 (250) Does not contain REACH SVHC
--	---

Halogen Content	Low Halogen - Br, Cl, F < 900 ppm per homogenous material. Also BFR/CFR/PVC Free
-----------------	--

Solder Process Capability	Not applicable for solder process capability
---------------------------	--

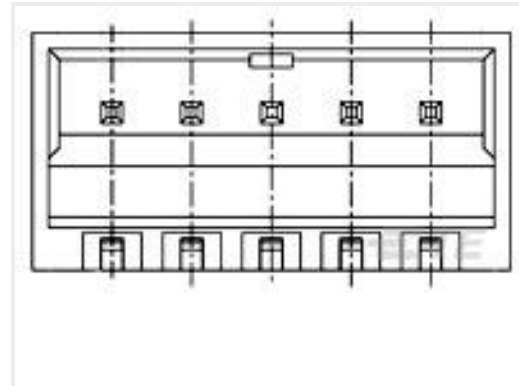
Product Compliance Disclaimer

This information is provided based on reasonable inquiry of our suppliers and represents our current actual knowledge based on the information they provided. This information is subject to change. The part numbers that TE has identified as EU RoHS compliant have a maximum concentration of 0.1% by weight in homogenous materials for lead, hexavalent chromium, mercury, PBB, PBDE, DBP, BBP, DEHP, DIBP, and 0.01% for cadmium, or qualify for an exemption to these limits as defined in the Annexes of Directive 2011/65/EU (RoHS2). Finished electrical and electronic equipment products will be CE marked as required by Directive 2011/65/EU. Components may not be CE marked. Additionally, the part numbers that TE has identified as EU ELV compliant have a maximum concentration of 0.1% by weight in homogenous materials for lead, hexavalent chromium, and mercury, and 0.01% for cadmium, or qualify for an exemption to these limits as defined in the Annexes of Directive 2000/53/EC (ELV). Regarding the REACH Regulation, the information TE provides on SVHC in articles for this part number is based on the latest European Chemicals Agency (ECHA) 'Guidance on requirements for substances in articles' posted at this URL: <https://echa.europa.eu/guidance-documents/guidance-on-reach>

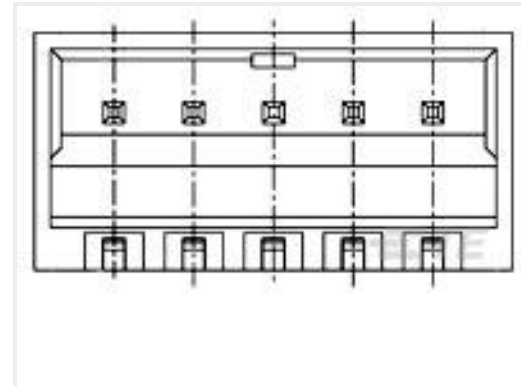
Compatible Parts



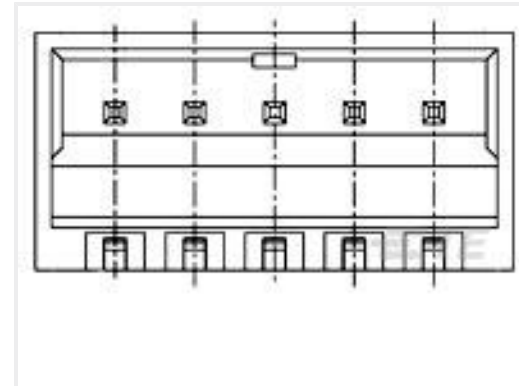
TE Part # 1775443-9
EMIX CONN., 1.5MM PITCH, HDR, V /T, 9P



TE Part # 1775444-9
EMIX CONN., 1.5MM PITCH, HDR, R /A, 9P



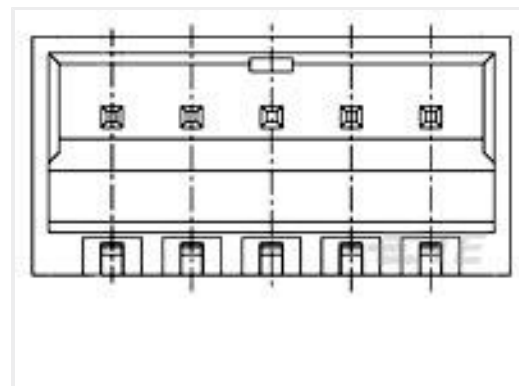
TE Part # 1-1775444-0
EMIX CONN., 1.5MM PITCH, HDR, R /A, 10P



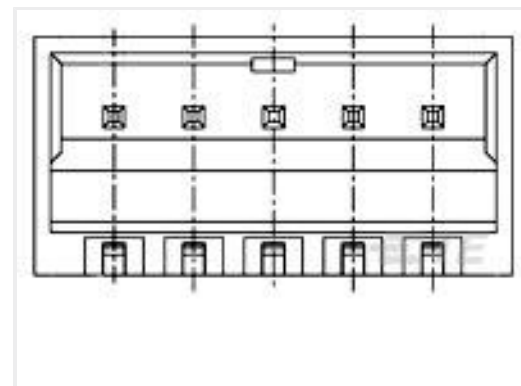
TE Part # 1-1775444-4
EMIX CONN., 1.5MM PITCH, HDR, R /A, 14P



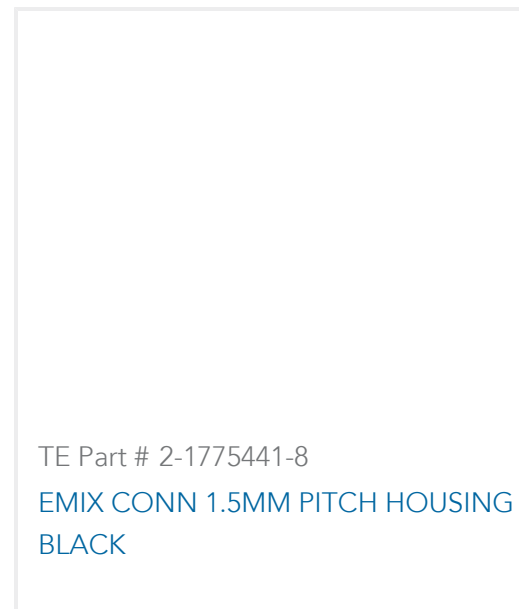
TE Part # 1775443-4
EMIX CONN., 1.5MM PITCH, HDR, V /T, 4P



TE Part # 1-1775444-1
EMIX CONN., 1.5MM PITCH, HDR, R /A, 11P



TE Part # 1775444-5
EMIX CONN., 1.5MM PITCH, HDR, R /A, 5P



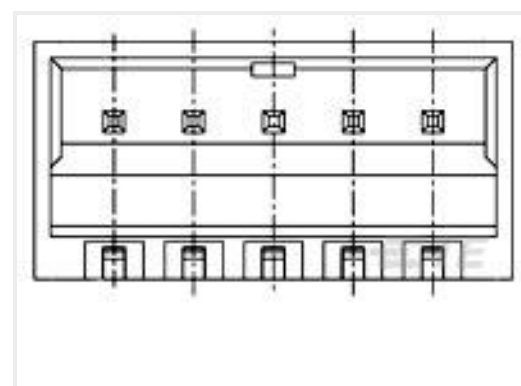
TE Part # 2-1775441-8
EMIX CONN 1.5MM PITCH HOUSING BLACK



TE Part # 1775443-7
EMIX CONN., 1.5MM PITCH, HDR, V /T, 7P



TE Part # 6-1775443-0
EMIX CONN., 1.5MM PITCH, HDR, V /T, 10P



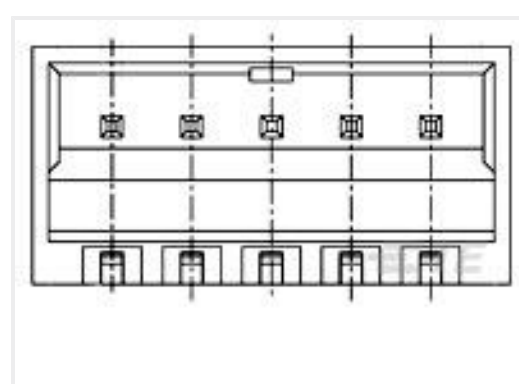
TE Part # 1-1775444-2
EMIX CONN., 1.5MM PITCH, HDR, R /A, 12P



TE Part # 5-1775443-9
EMIX CONN., 1.5MM PITCH, HDR, V /T, 9P



TE Part # 6-1775443-4
EMIX CONN., 1.5MM PITCH, HDR, V /T, 14P



TE Part # 6-1775444-5
EMIX CONN., 1.5MM PITCH, HDR, R /A, 15P



TE Part # 5-1775443-3
EMIX CONN., 1.5MM PITCH, HDR, V /T, 3P



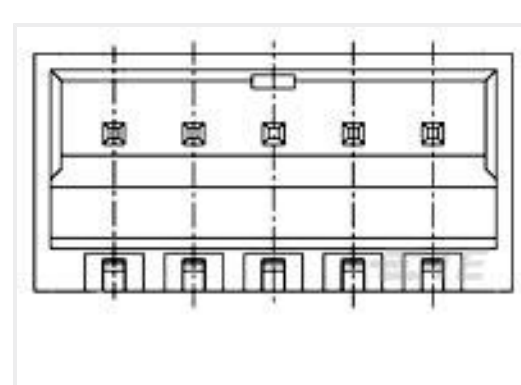
TE Part # 7-2836557-7
OCEAN_2.0_SPARE_PART_KIT-039F043F



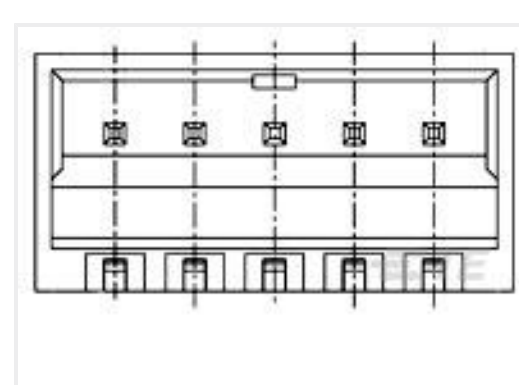
TE Part # 1-1775443-5
EMIX CONN., 1.5MM PITCH, HDR, V /T, 15P



TE Part # 1-1775443-1
EMIX CONN., 1.5MM PITCH, HDR, V /T, 11P

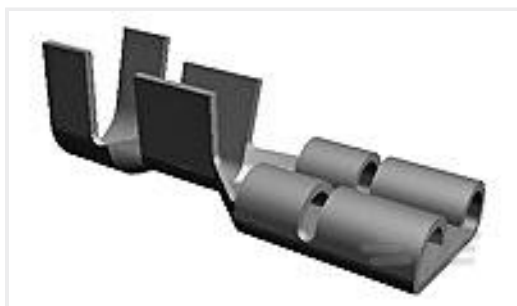


TE Part # 1-1775444-3
EMIX CONN., 1.5MM PITCH, HDR, R /A, 13P

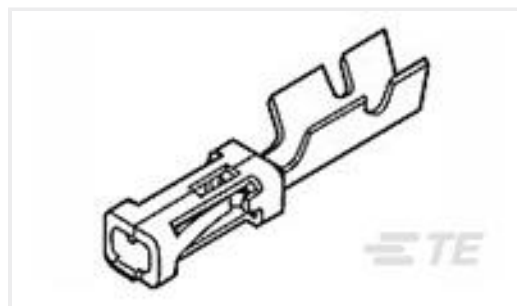


TE Part # 1775444-4
EMIX CONN., 1.5MM PITCH, HDR, R /A, 4P

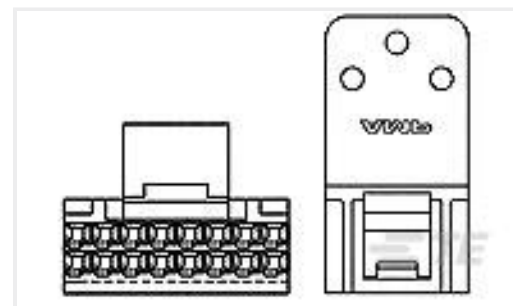
Customers Also Bought



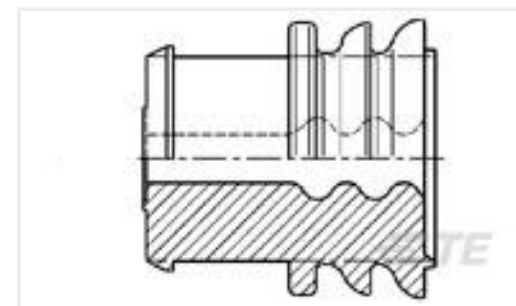
TE Part #63365-2
250 FASTON REC 14-10 AWG TPBR



TE Part #87309-8
MOD V RECP PLTD SN



TE Part #104422-1
16 MOD IV HSG COMP W/LATCH POL



TE Part #963244-1
EINZELDRAHTDICHTUNG



TE Part #1775441-5
EMIX CONN., 1.5MM PITCH, RCPT,
HSG, 5P



TE Part #1775441-6
EMIX CONN., 1.5MM PITCH, RCPT,
HSG, 6P



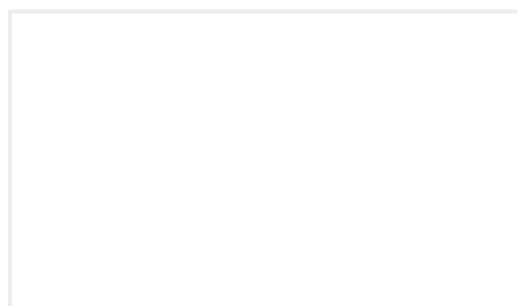
TE Part #1775441-7
EMIX CONN., 1.5MM PITCH, RCPT,
HSG, 7P



TE Part #1775441-8
EMIX CONN., 1.5MM PITCH, RCPT,
HSG, 8P



TE Part #2238021-1
VAL-U-LOK SKT BR SN 22-18 LP



TE Part #2448530-1
WIRE CONNECTOR RETAINER

Documents

Product Drawings

[EMIX CONN., 1.5mm PITCH, TERMI](#)

English

CAD Files

Customer View Model

[ENG_CVM_CVM_1775442-1_A1.2d_dxf.zip](#)

English

3D PDF

3D

Customer View Model

[ENG_CVM_CVM_1775442-1_A1.3d_igs.zip](#)

English

Customer View Model

[ENG_CVM_CVM_1775442-1_A1.3d_stp.zip](#)

English

By downloading the CAD file I accept and agree to the [Terms and Conditions](#) of use.

Product Specifications

1775442-1

Tin (Sn), Socket Contact, 30 – 24 AWG, 250 VAC, .05 – .02 mm² Wire, Discrete Wire,
Phosphor Bronze, Signal, -55 – 105 °C [-67 – 221 °F]



Application Specification

English