

53102001	DATA SHEET	
Valid from: 03.07.2019	SKINDICHT® O-Ring NBR metric	

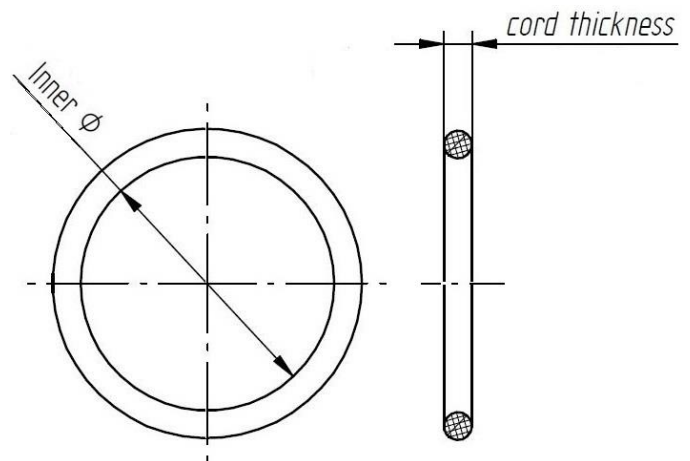
The SKINDICHT® O-Ring sealing rings are used for reliable sealing against dust and water on the connecting thread of a gland or similar components.



Technical features:

Material	NBR, halogen-free Ozone- and UV-resistant
Sizes	M6 up to M63
Colour	Black
Temperature range	-20 °C up to +100 °C

Article designation	Inner Ø x cord thickness [mm]	Article No.
M6x1	4x1,5	52001865
M8x1	6x1,5	52001885
M10x1	8x1,5	52001857
M12 x 2	9 x 2	53102000
M12 x 1,5	9 x 1,5	53102001
M16 x 2	13 x 2	53102010
M20 x 2	17 x 2	53102020
M20 x 1,5	17 x 1,5	53102021
M25 x 2	22 x 2	53102030
M32 x 2	28 x 2	53102040
M40 x 2	36 x 2	53102050
M50 x 2	46 x 2	53102060
M63 x 2	57 x 2	53102070



For more information please see our current catalogue. Please do not hesitate to contact our laboratory if there are any questions regarding resistance against aggressive agents and special oil.

Creator: MAU1 /PDP Released: DAMU1/PDP	Document: DB53102001EN Version: 04	Page 1 of 1
---	---------------------------------------	-------------

We reserve all rights according to DIN ISO 16016.
PD 0019/05_04.18EN