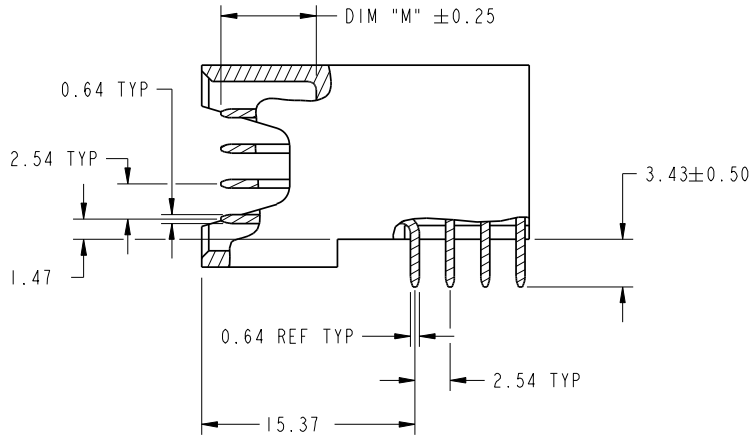


Tous droits strictement réservés. Reproduction ou communication o des liens interdite sous quelque forme que ce soit sans autorisation écrite du propriétaire. Propriete de c FCI. Droits de reproduction FCI.

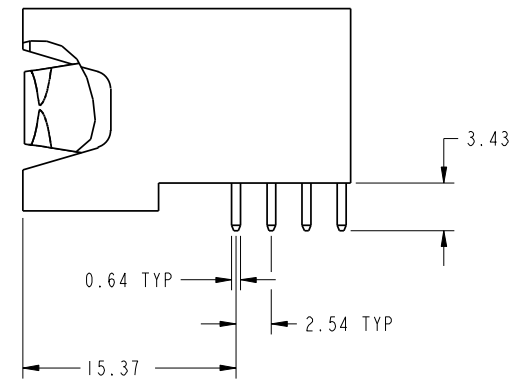
All rights strictly reserved. Reproduction or issue to third parties in any form whatever is not permitted without written authority from the proprietor. Property of FCI. Copyright FCI.



PRODUCT NUMBER
51939-578...
NOTE: 3



BROKEN-OUT SECTION A-A
SCALE 2:1



BROKEN-OUT SECTION B-B
SCALE 2:1

mail code				SEE NOTE		tolerances unless otherwise specified		CUSTOMER		FCI		www.fciconnect.com	
ltr	ecn no.	dr	date	linear	0.X ± 0.5	projection		COPY		title		8P + 24S + 8P	
A				angles	0.XX ± 0.25					RIGHT ANGLE SOLDER HEADER			
				dr	0.XXX ± 0.1			MM		product family		PwrBlade	
				engr	0° ± 2°			1:1		size		213	
				chr						A		sheet	
				appd						51939-578		2 of 4	
sheet index	revision sheet												

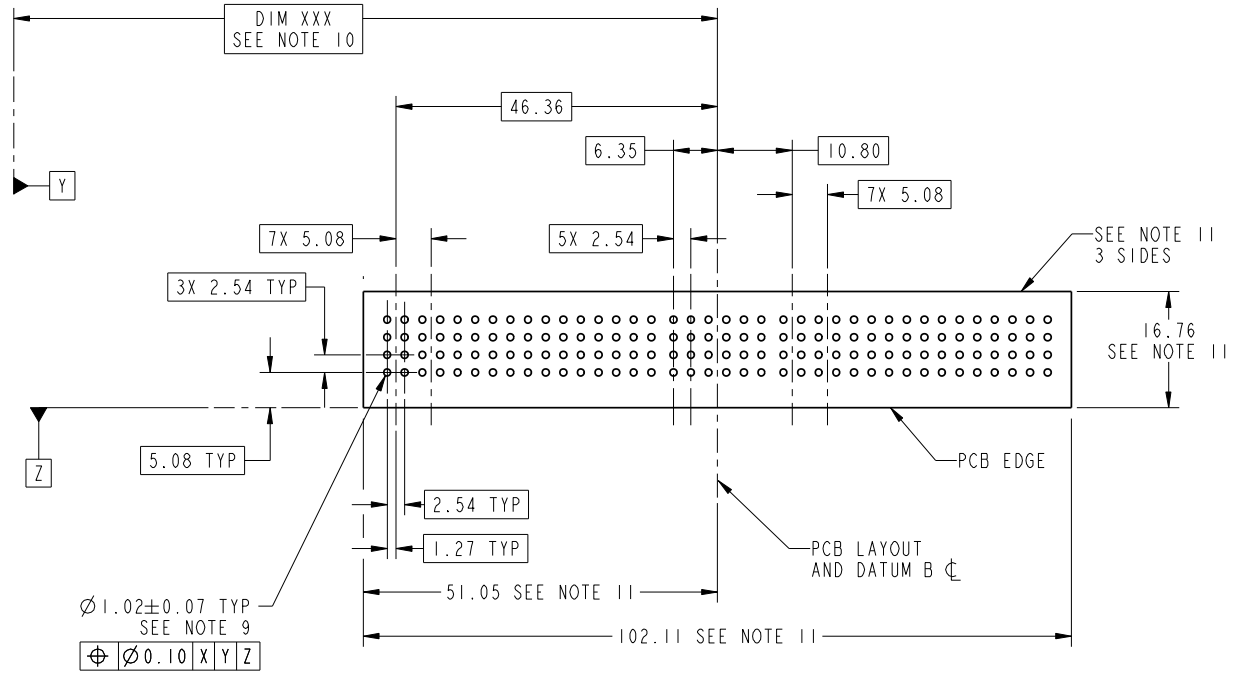
cage code 22526

Tous droits strictement réservés. Reproduction ou communication o des liens interdite sous quelque forme que ce soit sans autorisation écrite du propriétaire. Propriete de c FCI. Droits de reproduction FCI.



All rights strictly reserved. Reproduction or issue to third parties in any form whatever is not permitted without written authority from the proprietor. Property of FCI. Copyright FCI.

PRODUCT NUMBER
51939-578...
NOTE: 3



RECOMMENDED PCB LAYOUT

mat'l code				SEE NOTE		tolerances unless otherwise specified		CUSTOMER		FCI www.fciconnect.com	
lfr	ecn no.	dr	date	linear	0.X ±0.5	COPY		projection		title	
A				angles	0.XX ±0.25	MM		⊕		8P + 24S + 8P RIGHT ANGLE SOLDER HEADER	
				dr	0.XXX ±0.1	XQ Wang 01/28/11		product family		PwrBlade code	
				engr	0° ±2°	Anson Liu 01/29/11		size		213	
				chr	MM	PM Zheng 01/28/11		A		51939-578	
				appd	scale	Joseph Hsia 01/28/11		1:1		3 of 4	
sheet index	revision sheet										



Pro/E

cage code 22526

PDM: Rev:A

STATUS:Released

Printed: Feb 12, 2011

Tous droits strictement réservés. Reproduction ou communication o des liens interdite sous quelque forme que ce soit sans autorisation écrite du propriétaire. Propriete de c FCI. Droits de reproduction FCI.



All rights strictly reserved. Reproduction or issue to third parties in any form whatever is not permitted without written authority from the proprietor. Property of FCI. Copyright FCI.

PRODUCT NUMBER
51939-578..
NOTE: 3

NOTES:

1. DIMENSIONS AND TOLERANCES ARE IN ACCORDANCE WITH ASME Y14.5M, 1994 UNLESS OTHERWISE SPECIFIED.

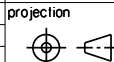
CONNECTOR NOTES:

- 2. HOUSING MATERIAL: UL 94 V-0 GLASS FILLED HIGH-TEMP THERMOPLASTIC
POWER CONTACT MATERIAL: COPPER ALLOY
SIGNAL PIN MATERIAL: COPPER ALLOY
 - 3. SEE ITEM 1 & 2 IN PRINT 10064183 FOR PLATING SPEC OF 51939-578 AND 51939-578LF RESPECTIVELY.
 - 4. MANUFACTURER'S NAME, DATE CODE AND OPTIONAL P/N TO APPEAR ON THIS SURFACE. THE P/N CAN BE OMITTED IF THERE IS NOT ENOUGH SPACE ON THIS SURFACE.
 - 5. PRODUCT SPECIFICATION GS-12-149.
APPLICATION SPECIFICATION BUS-20-067.
 - 6. PACKAGED IN TRAYS.
- PCB NOTES:
- 7. ALL HOLE DIAMETERS ARE FINISHED HOLE SIZE.
 - 8. MOUNTING HOLES, WHERE APPLICABLE, ARE UNPLATED.
 - 9. $\varnothing 1.151 \pm 0.025$ DRILLED HOLES PLATED WITH
0.008 MIN SnPb OR Sn OVER 0.03
TO 0.08 Cu PLATING TO ACHIEVE
 $\varnothing 1.02 \pm 0.07$ HOLE.
 - 10. "DIM XXX" TO BE DETERMINED BY THE CUSTOMER.
 - 11. CONNECTOR KEEP-OUT ZONE.

mat'l code		SEE NOTE		tolerances unless otherwise specified		CUSTOMER		FCI		www.fciconnect.com	
lfr	ecn no.	dr	date	linear	0.X ± 0.5	COPY		projection		title	
A					0.XX ± 0.25					8P + 24S + 8P RIGHT ANGLE SOLDER HEADER	
				angles	0.XXX ± 0.1					product family PwrBlade code	
				dr	0° ± 2°			size		213	
				engr	XQ Wang 01/28/11	scale		A		sheet	
				chr	Anson Liu 01/29/11	1:1		51939-578		4 of 4	
				appd	PM Zheng 01/28/11						
					Joseph Hsia 01/28/11						
sheet index	revision sheet										



www.fciconnect.com



MM

scale 1:1

product family

PwrBlade

code

size

dwg no

213

scale

1:1

A

51939-578

sheet

4 of 4

cage code 22526

4

Pro/E

PDM: Rev:A

STATUS: Released

Printed: Feb 12, 2011