

**ebm-papst St. Georgen GmbH & Co. KG**

Hermann-Papst-Str. 1

D-78112 St. Georgen

Phone +49 (0) 7724 81-0

info2@de.ebmpapst.com

www.ebmpapst.com

Nominal data

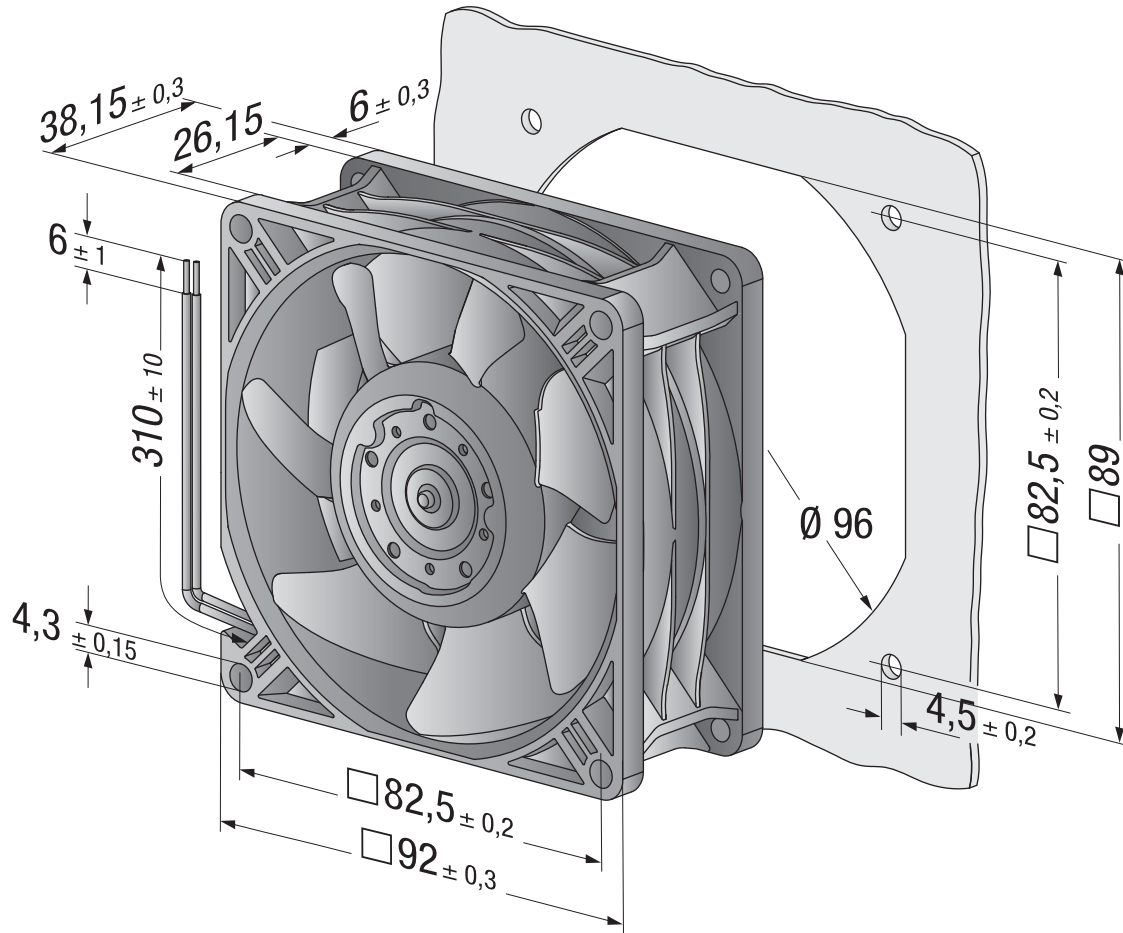
Item	3254 J/2 H3P	
Motor	-	
Nominal voltage	VDC	24
Nominal voltage range	VDC	14 .. 26,4
Speed (rpm)	min ⁻¹	7450
Power consumption	W	35
Min. ambient temperature	°C	-20
Max. ambient temperature	°C	70
Air flow	m ³ /h	270
Sound power level	B	7.6
Sound pressure level	dB(A)	64

ml = Max. load · me = Max. efficiency · fa = Free air · cs = Customer specification · ce = Customer equipment
Subject to change

Technical description

General description	* Power consumption when wide open; these values may be considerably higher at the operating point.
Weight	0.24 kg
Dimensions	92 x 92 x 38 mm
Impeller material	Glass-fiber reinforced PA plastic
Housing material	Glass-fiber reinforced PBT plastic
Airflow direction	Exhaust over struts
Service life L10 at 40 °C	85000 h
Service life L10 at maximum temperature	42500 h

Product drawing



Curves

