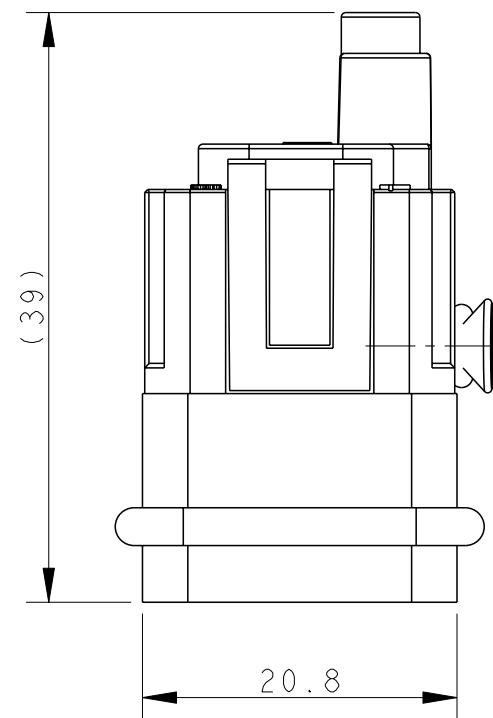
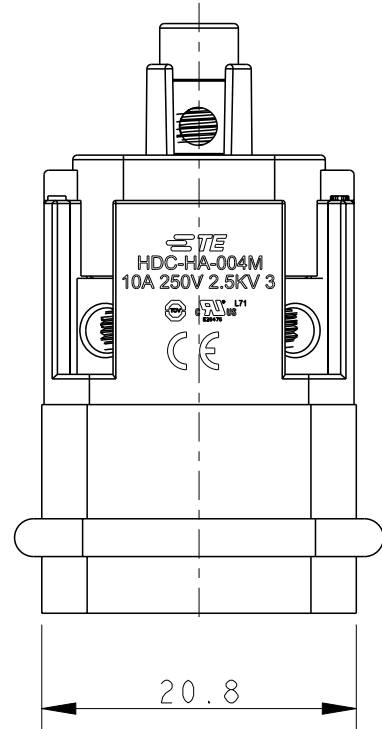
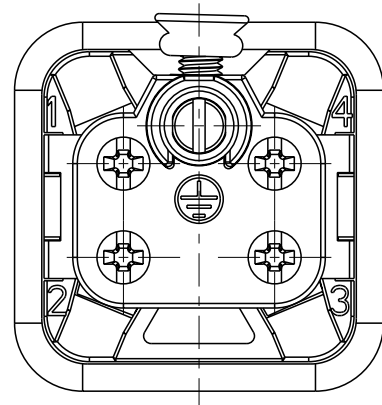
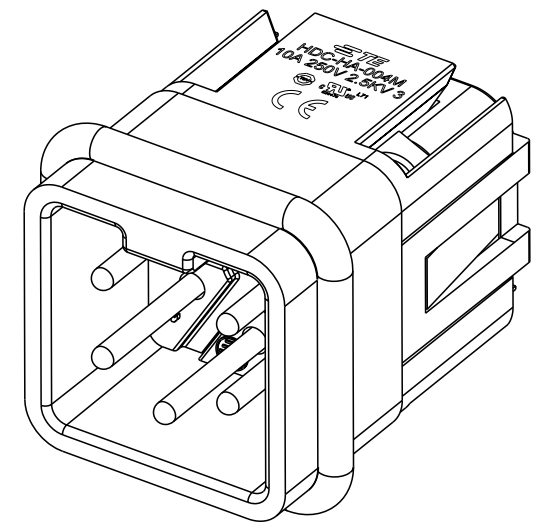


THIS DRAWING IS UNPUBLISHED. RELEASED FOR PUBLICATION 20  
 © COPYRIGHT 20 BY - ALL RIGHTS RESERVED.

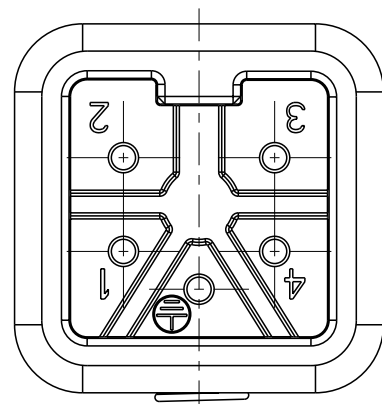
| REVISIONS |     |               |           |     |      |
|-----------|-----|---------------|-----------|-----|------|
| P         | LTR | DESCRIPTION   | DATE      | DWN | APVD |
| B         |     | ECR-15-013750 | 21SEP2015 | DW  | CW   |
| B1        |     | ECR-15-016224 | 05NOV2015 | DW  | CW   |
| B2        |     | ECR-16-018198 | 09JAN2017 | QY  | CW   |
| C         |     | ECR-20-016101 | 09JUN2021 | BS  | CW   |



M3 SCREW,  
 RECOMMENDED  
 TIGHTENING  
 TORQUE 0.5Nm  
 M3螺丝, 推荐锁紧力矩0.5Nm

NOTES:  
 1. TECHNICAL CHARACTERISTICS:  
 INSULATION MATERIAL: PC  
 RATED VOLTAGE: 250 V  
 RATED CURRENT: 10 A  
 INSULATION RESISTANCE:  $\geq 400M\Omega$   
 RATED IMPULSE VOLTAGE: 2.5 KV  
 POLLUTION DEGREE: 3  
 FLAMMABILITY: UL94V-0  
 MATING CYCLES: 500 CYCLES  
 WIRE RANGE: 0.5-2.5 mm<sup>2</sup> (20-14 AWG)  
 CONTACT FINISH: SILVER PLATED  
 CONTACT TYPE: SCREW CONTACT

注释:  
 1. 技术参数:  
 绝缘材料: PC  
 额定电压: 250V  
 额定电流: 10A  
 绝缘电阻:  $\geq 400M\Omega$   
 额定脉冲电压: 2.5 KV  
 污染等级: 3  
 阻燃等级: UL94V-0  
 插拔次数: 500 次  
 接线范围: 0.5-2.5 mm<sup>2</sup> (20-14 AWG)  
 端子表面处理: 镀银  
 接线类型: 螺丝连接



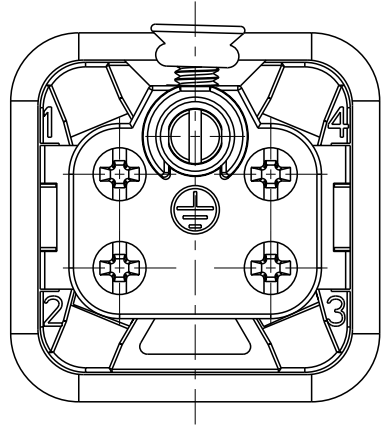
TYPE-1: T2010042101-000 TE LOGO  
 类型-1: T2010042101-000 TE LOGO

|   |  |                             |  |                                |  |
|---|--|-----------------------------|--|--------------------------------|--|
| THIS DRAWING IS A CONTROLLED DOCUMENT.                                |  | DWN 18DEC2014<br>DAVID WANG |  | TE Connectivity                |  |
| DIMENSIONS:<br>mm   |  | CHK 18DEC2014<br>CHRIS WANG |  |                                |  |
| TOLERANCES UNLESS OTHERWISE SPECIFIED:                                |  | APVD 18DEC2014<br>XU XIANG  |  | NAME<br>HA-004-M               |  |
| 0 PLC ±-<br>1 PLC ±-<br>2 PLC ±-<br>3 PLC ±-<br>4 PLC ±-<br>ANGLES ±- |  | PRODUCT SPEC<br>108-137045  |  | SIZE<br>A300779                |  |
| MATERIAL<br>-   |  | FINISH<br>-                 |  | APPLICATION SPEC<br>114-137045 |  |
|   |  | WEIGHT<br>-                 |  | CAGE CODE<br>G-T2010042101000  |  |
|   |  | Customer Drawing            |  | RESTRICTED TO<br>-             |  |
|   |  | SCALE<br>2:1                |  | SHEET<br>1 OF 2                |  |
|   |  |                             |  | REV<br>C                       |  |

printed on 15 Jun 2021 16:15 (China Standard Time) from TE236667

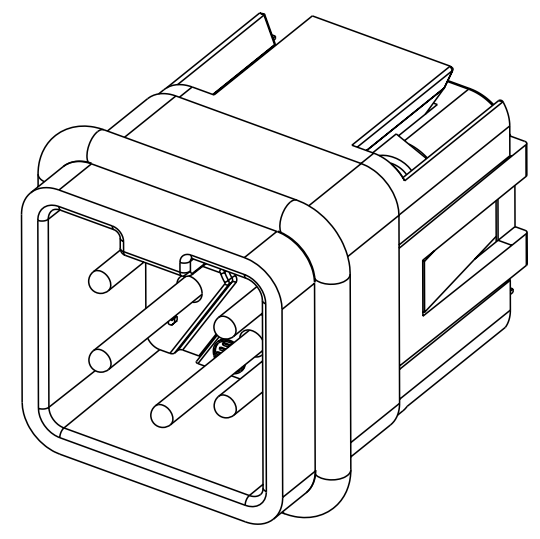
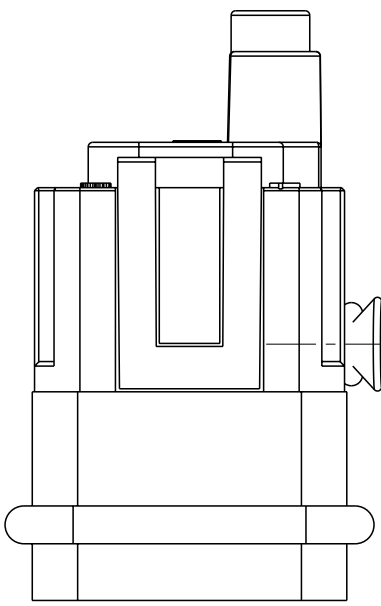
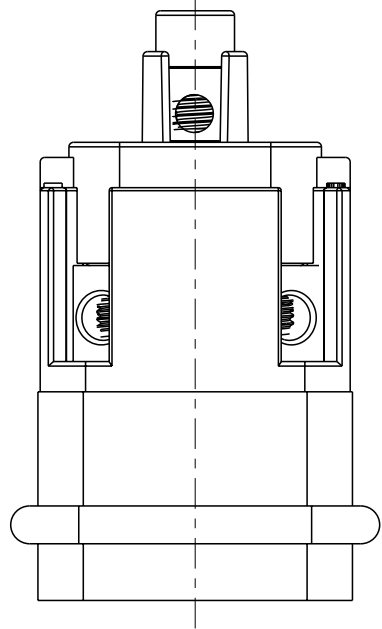
THIS DRAWING IS UNPUBLISHED. RELEASED FOR PUBLICATION 20  
 © COPYRIGHT 20 BY - ALL RIGHTS RESERVED.

| REVISIONS |     |             |      |     |      |
|-----------|-----|-------------|------|-----|------|
| P         | LTR | DESCRIPTION | DATE | DWN | APVD |
|           | -   | SEE SHEET 1 | -    | -   | -    |
|           |     |             |      |     |      |
|           |     |             |      |     |      |
|           |     |             |      |     |      |



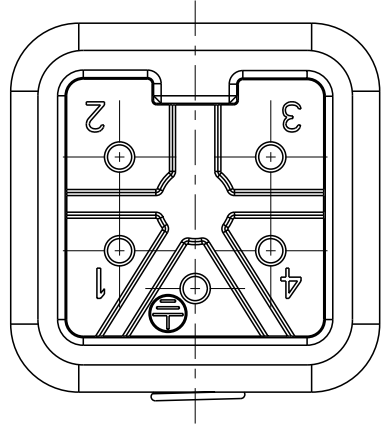
ALL DIMENSIONS ARE SAME AS TYPE 1,  
 EXCEPT THOSE DEFINED IN THIS TYPE.  
 除了在本类型中定义的尺寸外, 其它尺寸同类型 1

NOTES:  
 SEE SHEET 1  
 注释:  
 见页 1



TYPE-2: T2010042101-001 STAINLESS STEEL SCREW, NO LOGO  
 类型-2: T2010042101-001 不锈钢螺丝, 无LOGO

| PART NUMBER<br>料号 | PART DESCRIPTION<br>描述   | TYPE<br>类型     |
|-------------------|--|----------------|
| T2010042101-001   | HA-004 MALE INSERT,<br>SIDE OUTLET, TOP LOCK SCREW,<br>STAINLESS STEEL SCREW, NO LOGO<br>HA-004公插, 侧面出线顶部锁螺丝, 不锈钢螺丝, 无LOGO | TYPE-2<br>类型-2 |
| T2010042101-000   | HA-004 MALE INSERT,<br>SIDE OUTLET, TOP LOCK SCREW<br>HA-004公插, 侧面出线顶部锁螺丝  | TYPE-1<br>类型-1 |



|  |  |                             |                  |  |
|--|--|-----------------------------|------------------|--|
| THIS DRAWING IS A CONTROLLED DOCUMENT. |  | DWN 18DEC2014<br>DAVID WANG |                  |  |
| DIMENSIONS:<br>mm                      |  | CHK 18DEC2014<br>CHRIS WANG |                  |  |
| TOLERANCES UNLESS OTHERWISE SPECIFIED: |  | APVD 18DEC2014<br>XU XIANG  | NAME<br>HA-004-M |  |
| 0 PLC ±-                               |  | PRODUCT SPEC                | 108-137045       |  |
| 1 PLC ±-                               |  | APPLICATION SPEC            | 114-137045       |  |
| 2 PLC ±-                               |  | WEIGHT                      | -                |  |
| 3 PLC ±-                               |  | SIZE                        | A300779          |  |
| 4 PLC ±-                               |  | CAGE CODE                   | C-T2010042101000 |  |
| ANGLES ±-                              |  | DRAWING NO                  | -                |  |
| FINISH                                 |  | RESTRICTED TO               | -                |  |
| MATERIAL                               |  | SCALE                       | 2:1              |  |
| -                                      |  | SHEET                       | 2 OF 2           |  |
| -                                      |  | REV                         | C                |  |

printed on 15 Jun 2021 16:15 (China Standard Time) from TE236667