



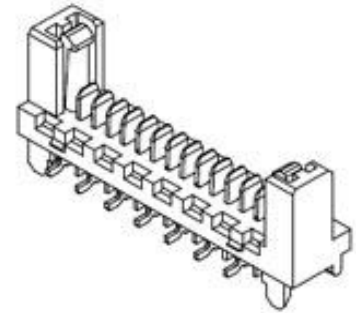
**Part Number :** [908163214](#)

**Product Description :** Picoflex Surface Mount Latched Vertical Header with PCB Pegs, 14 Circuits, PdNi with Gold Flash Plating, Black

**Series Number :** 90816

**Status :** Active

**Product Category :** PCB Headers and Receptacles



---

## Documents and Resources

### Drawings

[908163214 sd.pdf](#)

[PK-90816-006-001.pdf](#)

### 3D Models and Design Files

[STEP AP242](#)

[SOLIDWORKS](#)

[Creo](#)

[Symbol and Footprint \(Multi-Format\)](#)

### Specifications

[908140000-AS-000.pdf](#)

[PK-90816-001-001.pdf](#)


[PS-99020-0011-001.pdf](#)

[TS-90816-001-001.pdf](#)

---

## Product Environment Compliance

### Compliance

|                    |   |
|--------------------|---|
| GADSL/IMDS         | Not Reviewed  |
| China RoHS         |  per SJ/T 11365-2006 |
| EU ELV             | Not Relevant  |
| Low-Halogen Status | Not Low-Halogen per IEC 61249-2-21  |
| REACH SVHC         | Not Contained per D(2025)6375-DC (05 Nov 2025)  |

|         |                           |
|---------|---------------------------|
| EU RoHS | Compliant per EU 2015/863 |
|---------|---------------------------|

### Compliance Statements

- EU RoHS
- REACH SVHC
- Low-Halogen

### Industry Documents

- IPC 1752A Class C
- IPC 1752A Class D
- Molex Product Compliance Declaration
- IEC-62474
- chemSHERPA (xml)

### Substances of Interest

- PFAS

### EU RoHS Certificate of Compliance

### Additional Product Compliance Information

## Part Details

### General

|                |  |
|----------------|--|
| Status         | Active   |
| Category       | PCB Headers and Receptacles  |
| Series         | 90816  |
| Description    | Picoflex Surface Mount Latched Vertical Header with PCB Pegs, 14 Circuits, PdNi with Gold Flash Plating, Black |
| Application    | Signal, Wire-to-Board  |
| Component Type | PCB Header   |
| Product Name   | Picoflex   |
| UPC            | 883906438685   |

### Electrical

|                               |      |
|-------------------------------|------|
| Current - Maximum per Contact | 1.2A |
| Voltage - Maximum             | 250V |

### Physical

|           |    |
|-----------|----|
| Breakaway | No |
|-----------|----|

|                                |                            |
|--------------------------------|----------------------------|
| Circuits (Loaded)              | 14                         |
| Circuits (maximum)             | 14                         |
| Color - Resin                  | Black                      |
| Durability (mating cycles max) | 5                          |
| First Mate / Last Break        | No                         |
| Glow-Wire Capable              | No                         |
| Guide to Mating Part           | No                         |
| Keying to Mating Part          | N/A                        |
| Lock to Mating Part            | Yes                        |
| Material - Metal               | Brass                      |
| Material - Plating Mating      | Gold over Palladium Nickel |
| Material - Plating Termination | Nickel                     |
| Material - Resin               | Nylon                      |
| Net Weight                     | 0.828/g                    |
| Number of Rows                 | 1                          |
| Orientation                    | Vertical                   |
| Packaging Type                 | Embossed Tape on Reel      |
| PCB Locator                    | Yes                        |
| PCB Retention                  | Yes                        |
| PCB Thickness - Recommended    | 1.60mm                     |
| PC Tail Length                 | 1.05mm                     |
| Pitch - Mating Interface       | 1.27mm                     |
| Pitch - Termination Interface  | 1.27mm                     |
| Plating min - Mating           | 0.762µm                    |
| Plating min - Termination      | 3.000µm                    |
| Polarized to Mating Part       | Yes                        |
| Polarized to PCB               | Yes                        |
| Shrouded                       | Partial                    |
| Stackable                      | No                         |
| Temperature Range - Operating  | -40° to +105°C             |
| Termination Interface Style    | Surface Mount              |

---

## Mates With / Use With

### Mates with Part(s)

| Description                                | Part Number  |
|--|--------------|
| Picoflex PF-50 Low Profile IDT Receptacles | <u>90327</u> |

---

This document was generated on Dec 29, 2025