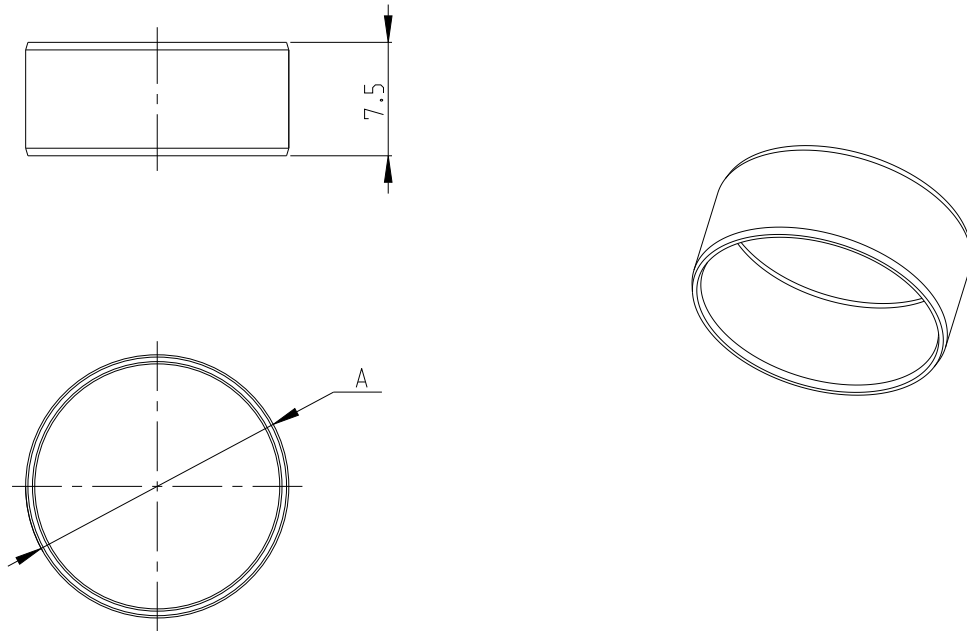


REVISIONS

P	LTR	DESCRIPTION	DATE	DWN	APVD
	A	INITIAL DRAWING	26AUG21	P.L	I.Y
	A1	DIMENTION CORRECTED	01APR24	C.C	Z.Z
	A2	PCN-25-240976	07MAY25	S.T	Z.Z



- 1 MATERIAL: STEEL
- 2. BULK PACKAGED



CABLE OD	MIN.	MAX.	DIM.A	WEIGHT(g)	CABLE SIZE	PART REV.	PART NO.
	16.7	17.3	Ø17.4	(1.82)	CRIMP ANVIL - 70mm <sup>2</sup>	A	2383855-3
	14.6	15.2	Ø15.7	(1.64)	CRIMP ANVIL - 50mm <sup>2</sup>	A	2383855-2
	12.4	13	Ø13.4	(1.39)	CRIMP ANVIL - 35mm <sup>2</sup>	A	2383855-1

© 2021 TE Connectivity. All Rights Reserved.

DIMENSIONS: mm  TOLERANCES UNLESS OTHERWISE SPECIFIED: ±0.3 0 PLC ± 1 PLC ±0.1 2 PLC ±0.01 3 PLC ±0.001 4 PLC ±0.0001 ANGLES ±	DWN P.LING 26AUG2021 CHK J.LI 26AUG2021 APVD I.YIN 26AUG2021	MATERIAL	FINISH
	PRODUCT SPEC 108-160341  APPLICATION SPEC 114-160182		
	WEIGHT	SIZE A 4 CAGE CODE 00779 DRAWING NO C-2383855	RESTRICTED TO -
CUSTOMER DRAWING		SCALE 2:1	SHEET 1 OF 1 REV A2