

4-520447-2 ✓ ACTIVE

Ultra-Fast | Ultra-Fast 250

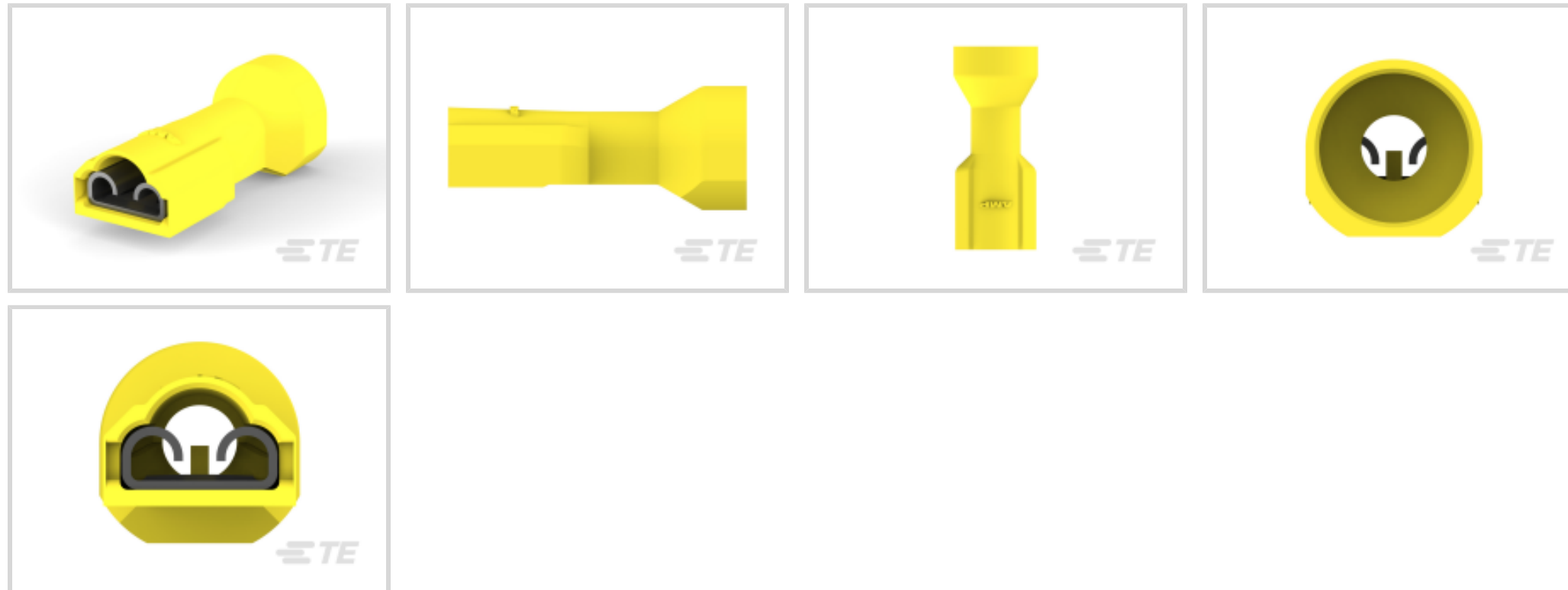
TE Internal #: 4-520447-2

Quick Disconnect Receptacle, Fully Insulated, 12 – 10 AWG, 3.31 – 5.26 mm² Wire, 6.35 mm [.25 in] Tab Width, F-Crimp, Straight, Brass, Ultra-Fast 250

[View on TE.com >](#)



Terminals & Splices > Quick Disconnects



Quick Disconnect Terminal Type: **Receptacle**

Wire Size: **3.31 – 5.26 mm²**

Mating Tab Width: **6.35 mm [.25 in]**

Mating Tab Thickness: **.81 mm [.032 in]**

Features

Product Type Features

Terminal Features	Wire Stop
Insertion Force	Normal

Configuration Features

Compatible With Wire & Cable Type	Discrete Wire
Connection Capacity	Single

Electrical Characteristics

Voltage Rating	600 V
----------------	-------

Body Features

Insulation Material	Nylon
---------------------	-------

Contact Features

Quick Disconnect Terminal Type	Receptacle
Mating Tab Width	6.35 mm [.25 in]
Mating Tab Thickness	.81 mm [.032 in]
Terminal Orientation	Straight



Contact Base Material	Brass
Terminal Plating Material	Tin
Crimp Type	F-Crimp
Barrel Type	Closed

Termination Features

Product Terminates To	Wire & Cable
-----------------------	--------------

Mechanical Attachment

Wire Insulation Support	With
Mating Retention Type	Dimple

Dimensions

Product Length	23.7 mm[.935 in]
Compatible Insulation Diameter Range	8.13 mm[.32 in]
Terminal Material Thickness	.41 mm[.016 in]
Wire Size	3.31 – 5.26 mm ²

Usage Conditions

Insulation Option	Fully Insulated
Operating Temperature Range	-40 – 110 °C[-40 – 230 °F]

Industry Standards

Compatible With Agency/Standards Products	UL
UL Flammability Rating	UL 94V-2

Packaging Features

Packaging Quantity	1500
Packaging Method	Strip/Reel

Other

Barrel Color	Yellow
--------------	--------

Product Compliance

For compliance documentation, visit the product page on [TE.com](https://www.te.com)>

EU RoHS Directive 2011/65/EU	Compliant
EU ELV Directive 2000/53/EC	Compliant
China RoHS 2 Directive MIIT Order No 32, 2016	有害物质含量符合标准要求 No Restricted Substance(s) Above Threshold



EU REACH Regulation (EC) No. 1907/2006

Current ECHA Candidate List: JUNE 2025 (250)

Candidate List Declared Against: JUNE 2025 (250)

Does not contain REACH SVHC

Halogen Content

Low Halogen - Br, Cl, F < 900 ppm per homogenous material. Also BFR/CFR/PVC Free

Solder Process Capability

Not applicable for solder process capability

Product Compliance Disclaimer

This information is provided based on reasonable inquiry of our suppliers and represents our current actual knowledge based on the information they provided. This information is subject to change. The part numbers that TE has identified as EU RoHS compliant have a maximum concentration of 0.1% by weight in homogenous materials for lead, hexavalent chromium, mercury, PBB, PBDE, DBP, BBP, DEHP, DIBP, and 0.01% for cadmium, or qualify for an exemption to these limits as defined in the Annexes of Directive 2011/65/EU (RoHS2). Finished electrical and electronic equipment products will be CE marked as required by Directive 2011/65/EU. Components may not be CE marked. Additionally, the part numbers that TE has identified as EU ELV compliant have a maximum concentration of 0.1% by weight in homogenous materials for lead, hexavalent chromium, and mercury, and 0.01% for cadmium, or qualify for an exemption to these limits as defined in the Annexes of Directive 2000/53/EC (ELV). Regarding the REACH Regulation, the information TE provides on SVHC in articles for this part number is based on the latest European Chemicals Agency (ECHA) 'Guidance on requirements for substances in articles' posted at this URL: <https://echa.europa.eu/guidance-documents/guidance-on-reach>

Compatible Parts

TE Part # 58630-2
PROC RMP DIESET 12-10 ULTRAFast

TE Part # 2151029-2
OCEAN_2.0 APPLICATOR-S-278D-SSA

TE Part # 224027-1
DIES FASTON REC 10AWG DIE SET

Also in the Series | Ultra-Fast 250

Automotive Housings(3)

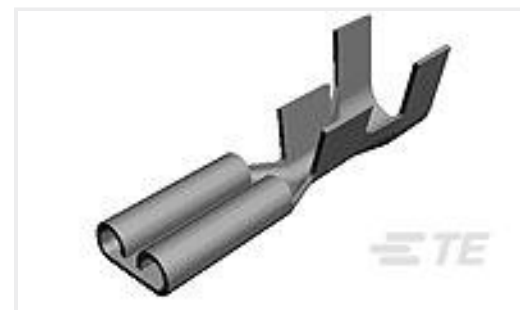
Automotive Signal & Power Connector Housings(3)

Quick Disconnects(49)

Customers Also Bought



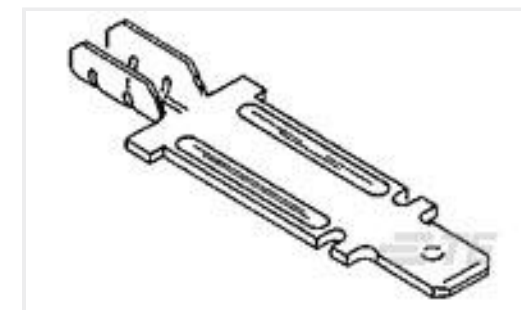
TE Part #52856-1
TERMINAL,PG SPD FLG 12-10 10



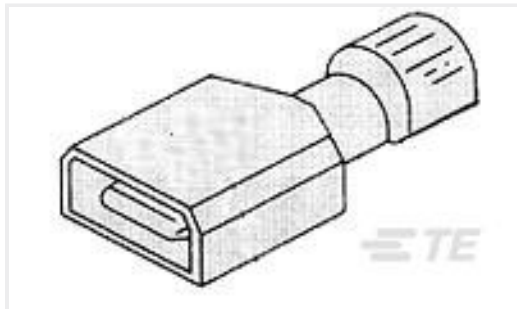
TE Part #60635-1
250 FASTON REC 14-10 AWG TPBR



TE Part #62057-3
250 FASTON FLAG REC 12-10 AWG TPBR



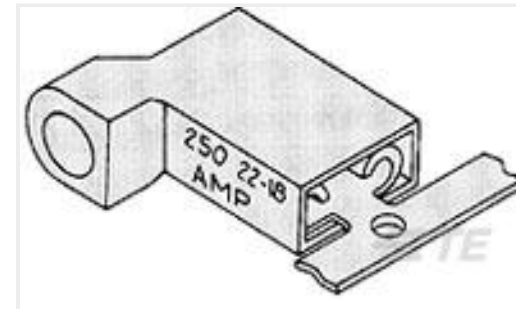
TE Part #63522-1
250 FASTON TAB 20-15 AWG NPST



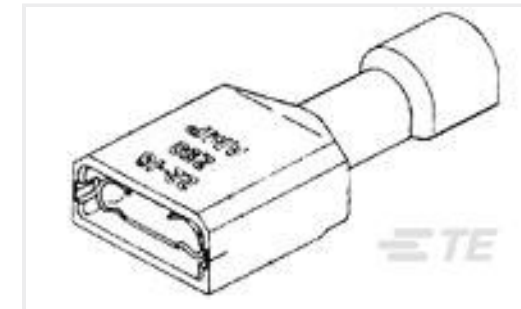
TE Part #3-520106-2
ULTRA-FAST 250 ASY TAB 16-14 AWG TPBR



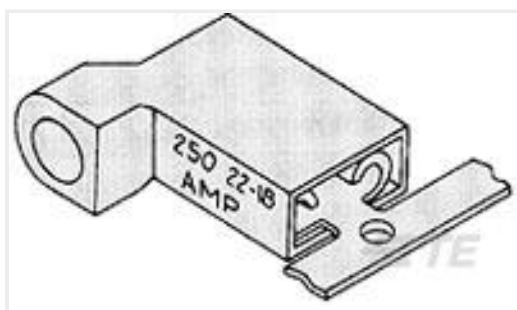
TE Part #2-520128-2
ULTRA-FAST 250 ASY REC 22-18 AWG TPBR



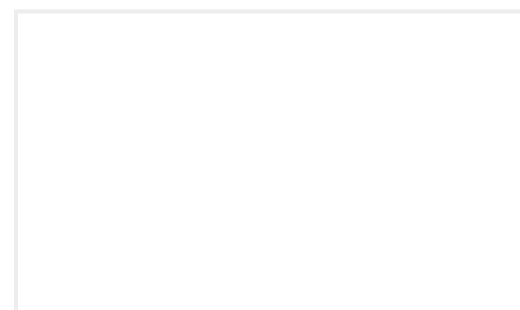
TE Part #3-520132-2
ULTRAFast 250 ASSY FLAG REC 16-14 TPBR



TE Part #2-520263-2
ULTRA-FAST 250 ASY REC 22-18 TPBR



TE Part #3-521013-2
ULTRA-FAST 250 ASY REC 16-14 AWG TPBR



TE Part #7-1423008-7
T92P11A22-240-03

Documents

Product Drawings

[ULTRA-FAST 250 ASY REC 12-10 AWG TPBR](#)

English

CAD Files

[3D PDF](#)

3D

Customer View Model

[ENG_CVM_CVM_4-520447-2_K.2d_dxf.zip](#)

English

Customer View Model

[ENG_CVM_CVM_4-520447-2_K.3d_igs.zip](#)

English

Customer View Model

[ENG_CVM_CVM_4-520447-2_K.3d_stp.zip](#)

English

By downloading the CAD file I accept and agree to the [Terms and Conditions](#) of use.

Datasheets & Catalog Pages



Ultra-Fast and Ultra Fast Plus

English

Ultra-Fast_QRG

English

Product Specifications

Application Specification

English

Application Specification

English

Agency Approvals

UL

English