

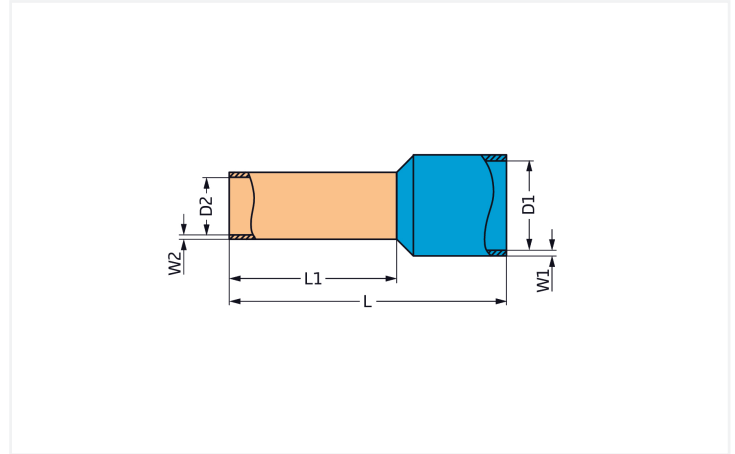
## Data Sheet | Item Number: 216-223

Ferrule; Sleeve for 1 mm<sup>2</sup> / AWG 18; insulated; electro-tin plated; red

<https://www.wago.com/216-223>



Color: ■ red



Dimensions in mm

### Connection Data

Metric cross-section of the ferrule	1 mm <sup>2</sup>
Strip length	8 ... 9 mm / 0.31 ... 0.35 inches
Cross-section (AWG) of ferrule	18 AWG

### Physical data

Total length	12 mm
Wall thickness of crimp sleeve	0.15 mm
Wall thickness (plastic collar)	0.25 mm
Crimp length (length of sleeve)	6 mm
Inner diameter of plastic collar	3 mm
Diameter crimp sleeve inside	1.4 mm

### Mechanical data

Plastic collar	Standard collar
----------------	-----------------

### Material data

Color	red
Fire load	0.002 MJ
Weight	0.1 g

**Commercial data**

Product Group	2 (Terminal Block Accessories)
PU (SPU)	1000 pcs
Packaging type	Box
Country of origin	DE
GTIN	4017332277464
Customs tariff number	85369010000

**Product Classification**

UNSPSC	39121405
eCl@ss 10.0	27-40-02-01
eCl@ss 9.0	27-40-02-01
ETIM 9.0	EC000005
ETIM 10.0	EC000005
ECCN	NO US CLASSIFICATION

**Environmental Product Compliance**

RoHS Compliance Status	Compliant, No Exemption
------------------------	-------------------------

**Downloads**

**Environmental Product Compliance**

**Compliance Search**

Environmental Product Compliance 216-223	<a href="#">↓</a>
--	-------------------

**Documentation**

**Bid Text**

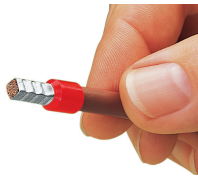
216-223	19.02.2019	xml 2.80 KB	<a href="#">↓</a>
216-223	11.09.2017	doc 24.00 KB	<a href="#">↓</a>

**CAD/CAE-Data**

**CAD data**

2D/3D Models 216-223	<a href="#">↓</a>
----------------------	-------------------

## Installation Notes



A perfect gas-tight crimp – both electrically and mechanically reliable