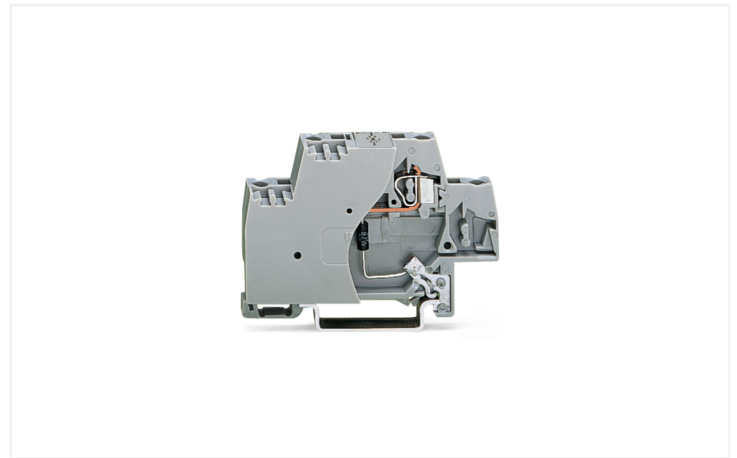
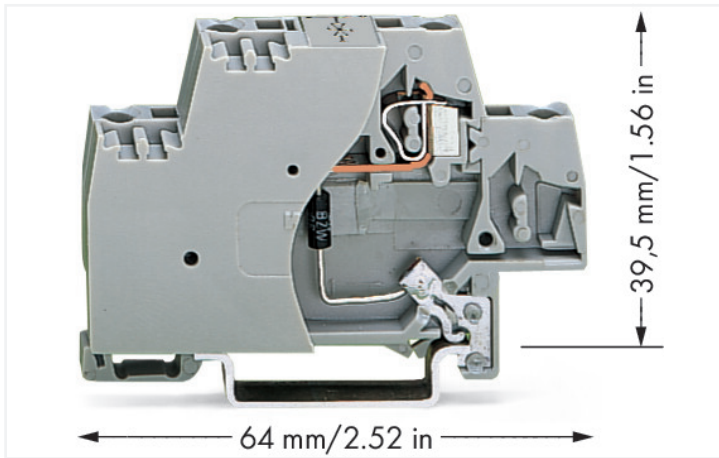


## Data Sheet | Item Number: 280-502/281-589

Component terminal block; double-deck; with end plate and direct connection to DIN-rail; with 1.5KE33C TVS diode; 24 VDC; for DIN-rail 35 x 15 and 35 x 7.5; 2.5 mm<sup>2</sup>; CAGE CLAMP®; gray



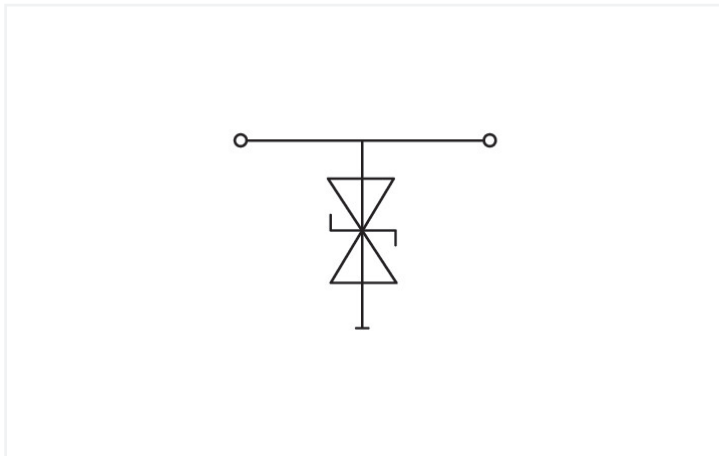
<https://www.wago.com/280-502/281-589>



Color: ■ gray

Similar to illustration

Similar to illustration



### Short description:

This component terminal block with surge suppression device, end plate and direct connection to the DIN-35 rail is equipped with a TVS diode.

### Features:

- Protect your system against overvoltage
- Slim, space-saving design
- Control operational costs by preventing expensive, unplanned downtime
- High operational reliability and system uptime

## Notes

### Safety Information

- Installation must be performed by qualified personnel only.
- The DIN-rail must be grounded.
- The input current must be protected by a suitable fuse.
- Protection against contact with stored charges must be ensured.
- Do not insert or remove pluggable modules when energized.
- The IP20 protection rating must be maintained in the assembled state or when using an end/intermediate plate compatible with the rail-mount terminal block.

## Electrical data

Nominal operating voltage	24 VDC
Maximum continuous voltage	28 VDC
Rated continuous current	20 A
Nominal discharge current (8/20 µs) (line)	169 A
Protection level (8/20 µs)	≤ 59 VDC
Capacitance	≤ 2.7 nF

## Connection Data

Connections (number)	2
Connection technology	CAGE CLAMP®
Solid conductor	0.08 ... 2.5 mm <sup>2</sup> / 28 ... 14 AWG
Fine-stranded conductor	0.08 ... 2.5 mm <sup>2</sup> / 28 ... 14 AWG
Strip length	8 ... 9 mm / 0.31 ... 0.35 inches

## Physical data

Width	10 mm / 0.394 inches
Height	64 mm / 2.52 inches
Depth from upper-edge of DIN-rail	39.5 mm / 1.555 inches

## Mechanical data

Design	with end plate; with direct connection to DIN-rail
Mounting type	DIN-35 rail

## Material data

Color	gray
Insulation material (main housing)	Polyamide (PA66)
Material group	I
Flammability class per UL94	V0
Fire load	0.264 MJ
Weight	11.9 g

## Environmental requirements

Processing temperature	-35 ... +85 °C
------------------------	----------------

**Commercial data**

Product Group	1 (Rail Mounted Terminal Blocks)
PU (SPU)	50 (1) pcs
Packaging type	Box
Country of origin	DE
GTIN	4045454362676
Customs tariff number	85369010000

**Product Classification**

UNSPSC	39121410
eCl@ss 10.0	27-14-11-27
eCl@ss 9.0	27-14-11-27
ETIM 9.0	EC000903
ETIM 10.0	EC000903
ECCN	NO US CLASSIFICATION

**Environmental Product Compliance**

CAS-No.	7439-92-1
REACH Candidate List Substance	Lead
RoHS Compliance Status	Compliant, No Exemption
SCIP notification number (Austria)	6cb48e17-acff-4296-ba6f-e1c629ac4f11
SCIP notification number (Belgium)	aeab281a-f52b-4c6c-bc54-a6ccfa868ee0
SCIP notification number (Bulgaria)	c0584125-051b-4f60-b03d-70f1caa423ed
SCIP notification number (Czech Republic)	b5ecdb6e-4c85-4e5f-a395-19cdcd3616d4
SCIP notification number (Finland)	a77c311b-d955-4ab7-8145-1f0dca77196a
SCIP notification number (France)	ca04664c-a735-4fae-85ea-7a2a38ef94d6
SCIP notification number (Germany)	27774a77-7174-484b-adf6-ff61338dd954
SCIP notification number (Hungary)	e0267288-5ca7-4077-a430-56bee7e7d942
SCIP notification number (Italy)	caae17b-ac17-48c0-926f-379025d08f80
SCIP notification number (Netherlands)	54856927-5da3-4b36-9e4c-c7178004f03b
SCIP notification number (Poland)	483d613f-6e73-4bb8-8c48-ee7f3e708fa4
SCIP notification number (Romania)	a62e63cb-ef20-4113-ab8c-383a5335e46c
SCIP notification number (Sweden)	17a350a5-4a00-46b7-bd0d-39dc62705ea5

**Downloads**

**Environmental Product Compliance**

<b>Compliance Search</b>	
Environmental Product Compliance 280-502/281-589	↓

## Documentation

### Bid Text

280-502/281-589	19.02.2019	xml 3.31 KB	<a href="#">↓</a>
280-502/281-589	11.02.2015	doc 25.50 KB	<a href="#">↓</a>

## CAD/CAE-Data

### CAD data

2D/3D Models 280-502/281-589	<a href="#">↓</a>
---------------------------------	-------------------

### CAE data

EPLAN Data Portal 280-502/281-589	<a href="#">↓</a>
WSCAD Universe 280-502/281-589	<a href="#">↓</a>
ZUKEN Portal 280-502/281-589	<a href="#">↓</a>

## 1 Compatible Products

### 1.1 Optional Accessories

#### 1.1.1 Insulation stop

##### 1.1.1.1 Insulation stop



**Item No.: 280-470**

Insulation stop; 0.08 - 0.2 mm<sup>2</sup> "s" (0.14 mm<sup>2</sup> "f-st"); 5 pieces/strip; white



**Item No.: 280-471**

Insulation stop; 0.25 - 0.5 mm<sup>2</sup>; 5 pieces/strip; light gray



**Item No.: 280-472**

Insulation stop; 0.75 - 1 mm<sup>2</sup>; 5 pieces/strip; black

#### 1.1.2 Jumper

##### 1.1.2.1 Jumper



**Item No.: 280-492**

Jumper; 2-way; insulated; gray

#### 1.1.3 Marking

##### 1.1.3.1 Marker



**Item No.: 2009-145**

Mini-WSB Inline; for Smart Printer; 1700 pieces on roll; stretchable 5 - 5.2 mm; plain; snap-on type; white



**Item No.: 248-501**

Mini-WSB marking card; as card; not stretchable; plain; snap-on type; white

## 1.1.4 Tool

### 1.1.4.1 Operating tool



**Item No.: 210-720**

Operating tool; Blade: 3.5 x 0.5 mm; with a partially insulated shaft; multicoloured